

**Notes:**

**Method For Cill Attachment: –**

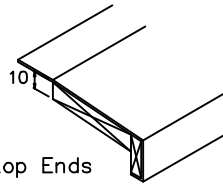
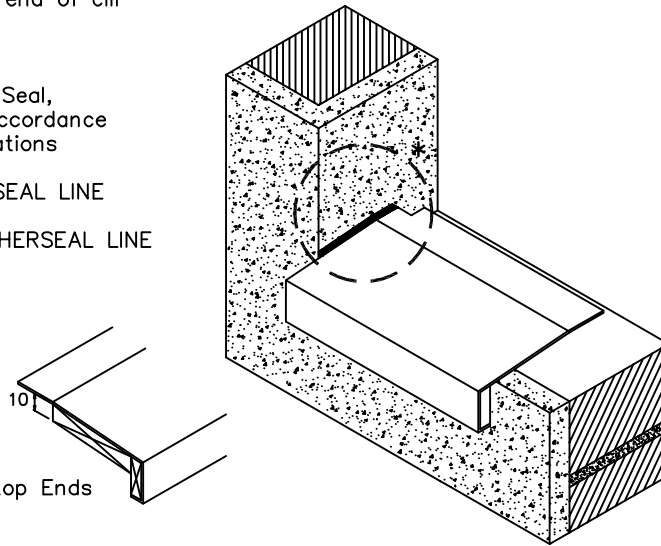
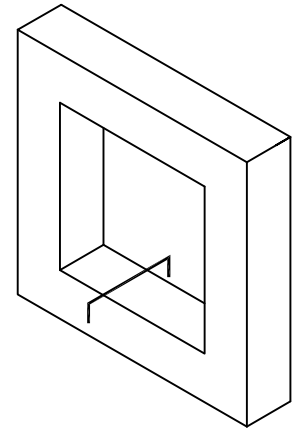
- Apply silicone to attachment profile
- Apply pu foam to blockwork
- Apply cill pressing
- Apply silicone bead at each end of cill to fully seal to structure\*

**EXTERNAL WEATHER SEAL**

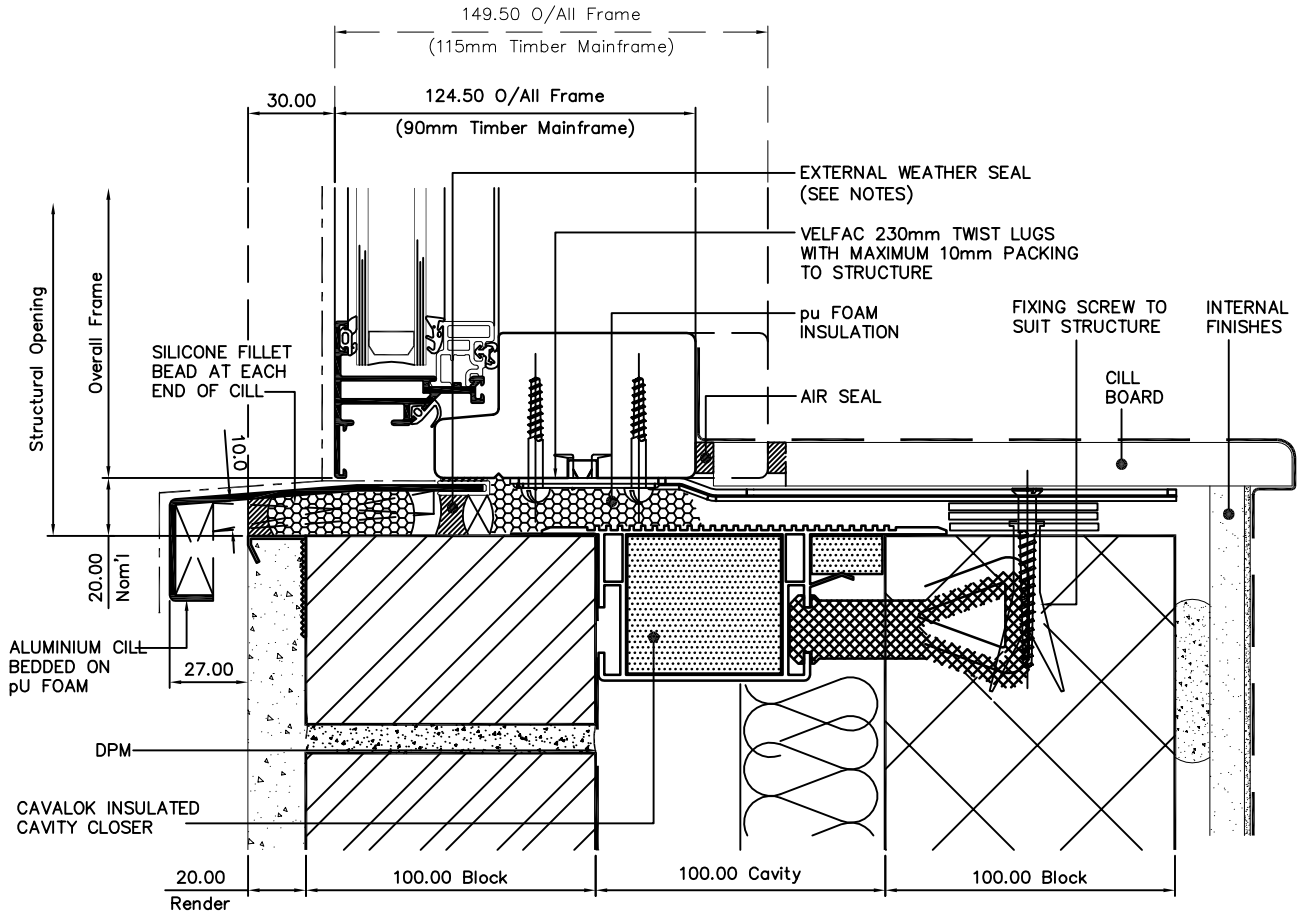
Compressible Impregnated Tape Seal, Size To Suit Finished Joint In Accordance With Manufacturers Recommendations

--- DENOTES AIR SEAL LINE

----- DENOTES WEATHERSEAL LINE



Folded Stop Ends



VELFAC Ltd  
Tel. +44 1223 897100  
Fax. +44 1223 897101  
Web. www.VELFAC.co.uk

7				Scale.	1:2.5/A4
6				Date.	Feb 10
5				Drawn By.	IDS
4				Checked By.	J.R.
3	03/12	SDS	Ext.weatherseal line,cill downstand,20mm tol	Project No.	-
2	20/10	IDS	VELFAC Twist-In Lug Introduced	Dwg No.	200.Ren.C001
1	05/10	IDS	1st Issue		
Rev.	Week/Year	Sign.	Description	Edition No.	2

Title  
VELFAC 200 SYSTEM  
Typical Rendered Cill Interface With Aluminium Cill  
MASONRY CONSTRUCTION

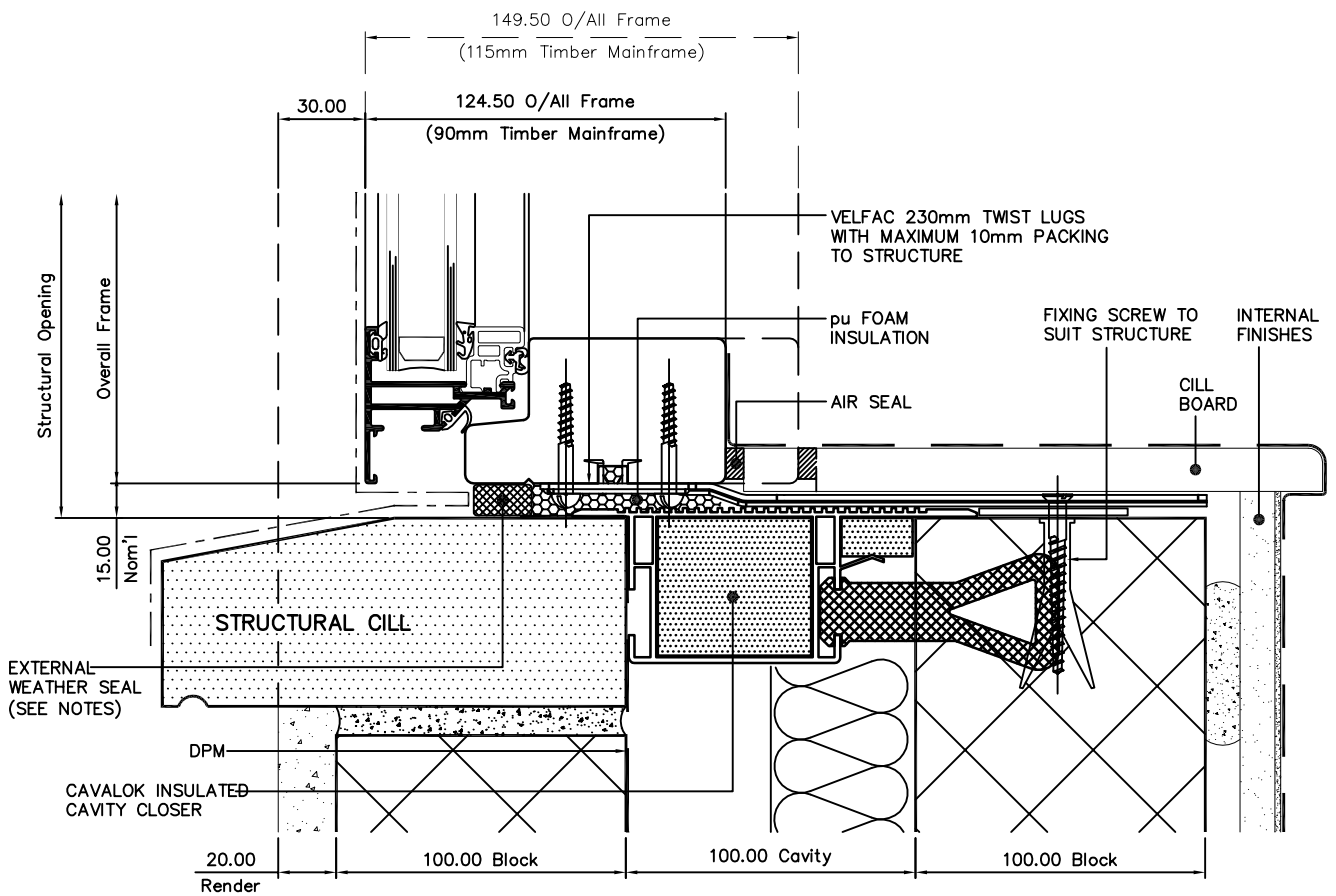
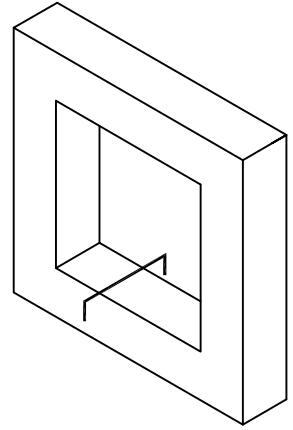
**Notes:**

**EXTERNAL WEATHER SEAL**

Compressible Impregnated Tape Seal, Size To Suit  
Finished Joint In Accordance With Manufacturers  
Recommendations

— — — — — DENOTES AIR SEAL LINE

- - - - - DENOTES WEATHERSEAL LINE



VELFAC Ltd  
Tel. +44 1223 897100  
Fax. +44 1223 897101  
Web. www.VELFAC.co.uk

7				Scale.	1:2.5/A4
6				Date.	Feb 10
5				Drawn By.	iDS
4				Checked By.	J.R.
3	03/12	SDS	External weatherseal line added	Project No.	-
2	20/10	iDS	VELFAC Twist-In Lug Introduced	Dwg No.	200.Ren.C002
1	05/10	iDS	1st Issue	Edition No.	2
Rev.	Week/Year	Sign.	Description		

Title  
VELFAC 200 SYSTEM  
Typical Rendered Cill Interface With Structural Cill  
MASONRY CONSTRUCTION

**Notes:**

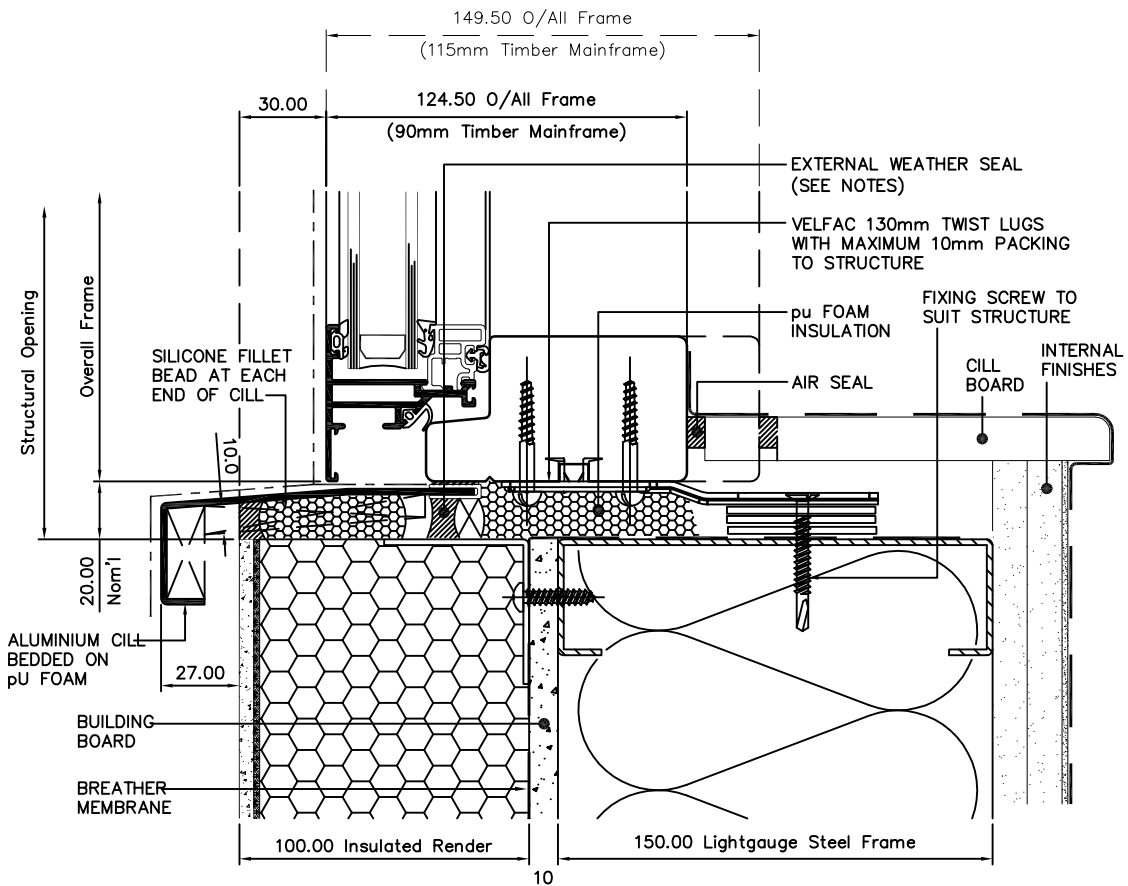
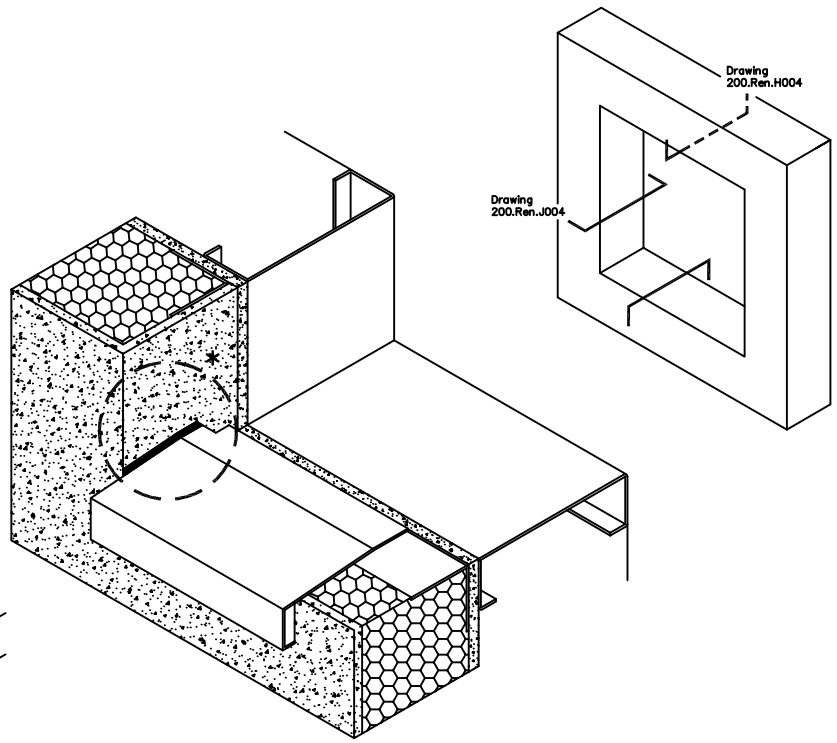
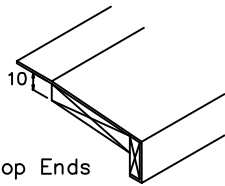
**Method For Cill Attachment: –**

- Apply silicone to attachment profile
- Apply pu foam to rigid insulation
- Apply cill pressing
- Apply silicone bead at each end of cill to fully seal to structure\*

**EXTERNAL WEATHER SEAL**

Compressible Impregnated Tape Seal, Size To Suit Finished Joint In Accordance With Manufacturers Recommendations

- — — — — DENOTES AIR SEAL LINE
- - - - - DENOTES WEATHERSEAL LINE



VELFAC Ltd  
Tel. +44 1223 897100  
Fax. +44 1223 897101  
Web. www.VELFAC.co.uk

7				Scale.	1:2.5/A4
6				Date.	Feb 10
5				Drawn By.	IDS
4				Checked By.	J.R.
3	03/12	SDS	Ext.weatherseal line,cill downstand,20mm tol	Project No.	-
2	20/10	IDS	VELFAC Twist-In Lug Introduced	Dwg No.	200.Ren.C003
1	05/10	IDS	1st Issue		
Rev.	Week/Year	Sign.	Description	Edition No.	2

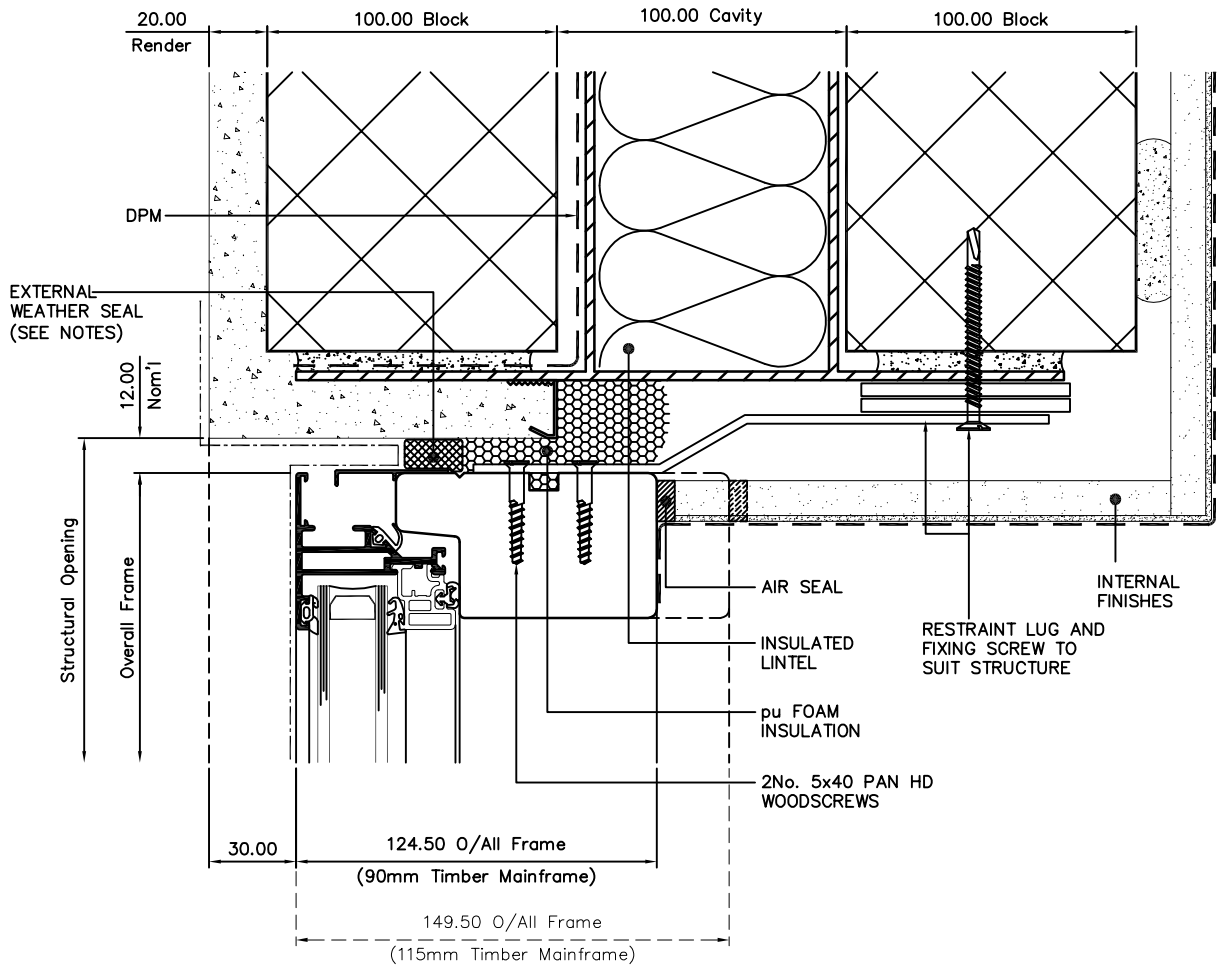
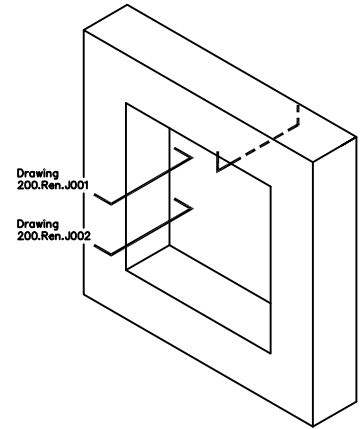
Title  
VELFAC 200 SYSTEM  
Typical Insulated Render Cill Interface With  
Render Applied Prior To Frame Installation  
  
STEEL FRAME CONSTRUCTION

**Notes:**

**EXTERNAL WEATHER SEAL**

Compressible Impregnated Tape Seal, Size To Suit  
 Finished Joint In Accordance With Manufacturers  
 Recommendations

- — — — — DENOTES AIR SEAL LINE
- - - - - DENOTES WEATHERSEAL LINE



VELFAC Ltd  
 Tel. +44 1223 897100  
 Fax. +44 1223 897101  
 Web. www.VELFAC.co.uk

7				Scale.	1:2.5/A4
6				Date.	Feb 10
5				Drawn By.	IDS
4				Checked By.	J.R.
3				Project No.	-
2	03/12	SDS	External weatherseal line added	Dwg No.	200.Ren.H001
1	05/10	IDS	1st Issue	Edition No.	
Rev.	Week/Year	Sign.	Description		

Title  
 VELFAC 200 SYSTEM  
 Typical Rendered Head Interface With Render  
 Applied Prior To Frame Installation  
 MASONRY CONSTRUCTION

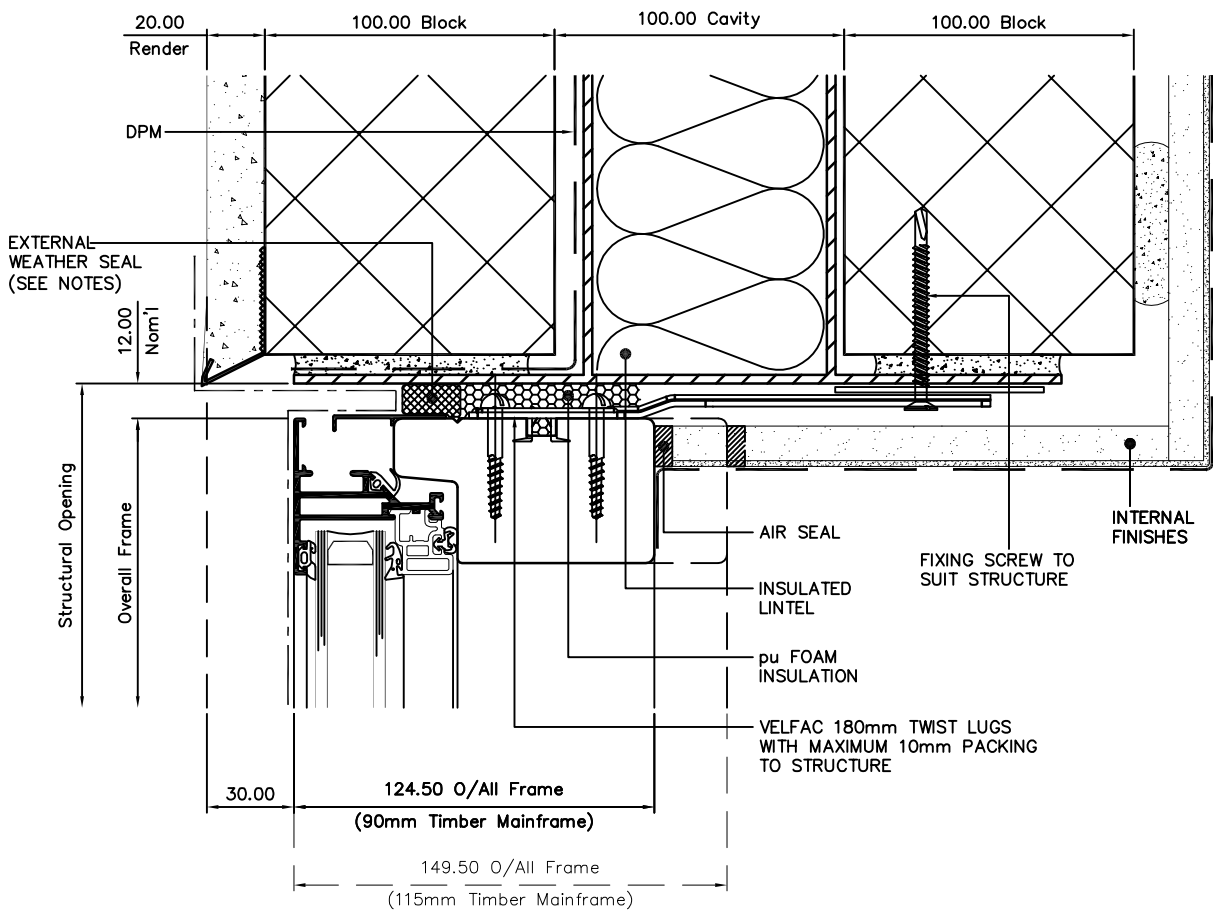
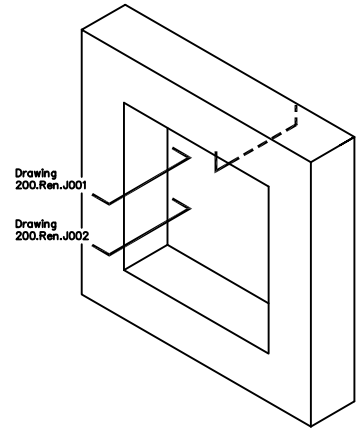
**Notes:**

**EXTERNAL WEATHER SEAL**

Compressible Impregnated Tape Seal, Size To Suit  
 Finished Joint In Accordance With Manufacturers  
 Recommendations

— — — — — DENOTES AIR SEAL LINE

- - - - - DENOTES WEATHERSEAL LINE



VELFAC Ltd  
 Tel. +44 1223 897100  
 Fax. +44 1223 897101  
 Web. www.VELFAC.co.uk

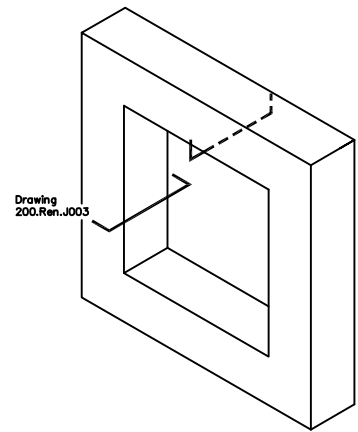
7				Scale.	1:2.5/A4
6				Date.	Feb 10
5				Drawn By.	iDS
4				Checked By.	J.R.
3	03/12	SDS	External weatherseal line added	Project No.	-
2	20/10	iDS	VELFAC Twist-In Lug Introduced	Dwg No.	200.Ren.H002
1	05/10	iDS	1st Issue		
Rev.	Week/Year	Sign.	Description	Edition No.	2

Title  
 VELFAC 200 SYSTEM  
 Typical Rendered Head Interface With Render  
 Applied Prior To or After Frame Installation  
 MASONRY CONSTRUCTION

**Notes:**

**CONSIDERATIONS OF INSTALLING FRAMES PRIOR TO RENDER:—**

1. Aluminium sashes will need to be removed & re-fitted after render application (cost implication)
2. Timber batten will need fitting lined & plumb prior to frame
3. Weather seal prone to damage from follow-on trades
4. Timber mainframes prone to damage from follow-on trades
5. Timber mainframes are at risk to water penetration (direct fixed)

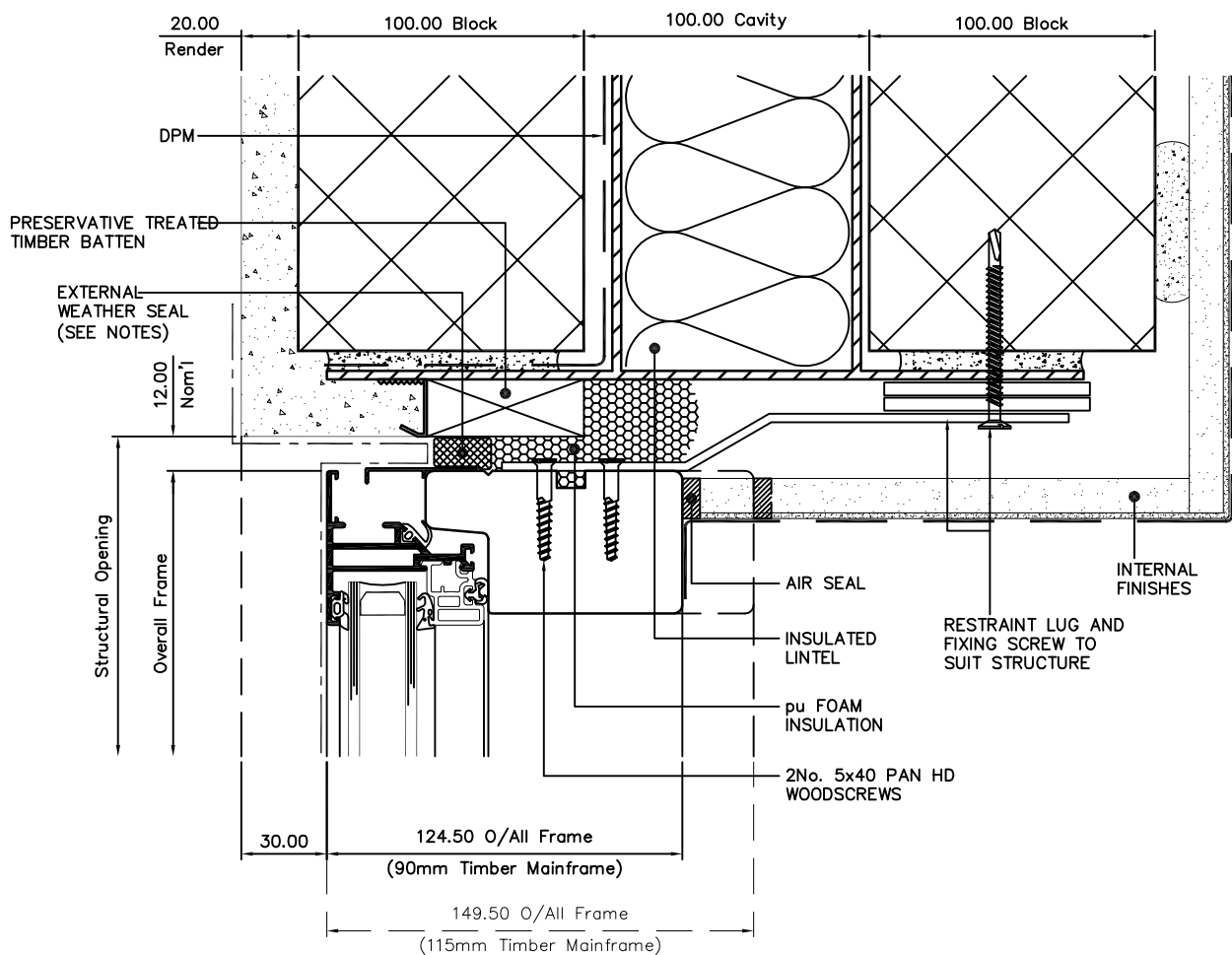


**EXTERNAL WEATHER SEAL**

Compressible Impregnated Tape Seal, Size To Suit  
 Finished Joint In Accordance With Manufacturers  
 Recommendations

— — — — — DENOTES AIR SEAL LINE

- - - - - DENOTES WEATHERSEAL LINE



VELFAC Ltd  
 Tel. +44 1223 897100  
 Fax. +44 1223 897101  
 Web. www.VELFAC.co.uk

7				Scale.	1:2.5/A4
6				Date.	Feb 10
5				Drawn By.	IDS
4				Checked By.	J.R.
3				Project No.	-
2	03/12	SDS	External weatherseal line added	Dwg No.	200.Ren.H003
1	05/10	IDS	1st Issue		
Rev.	Week/Year	Sign.	Description	Edition No.	1

Title  
 VELFAC 200 SYSTEM  
 Typical Rendered Head Interface With Render  
 Applied After Frame Installation  
 MASONRY CONSTRUCTION

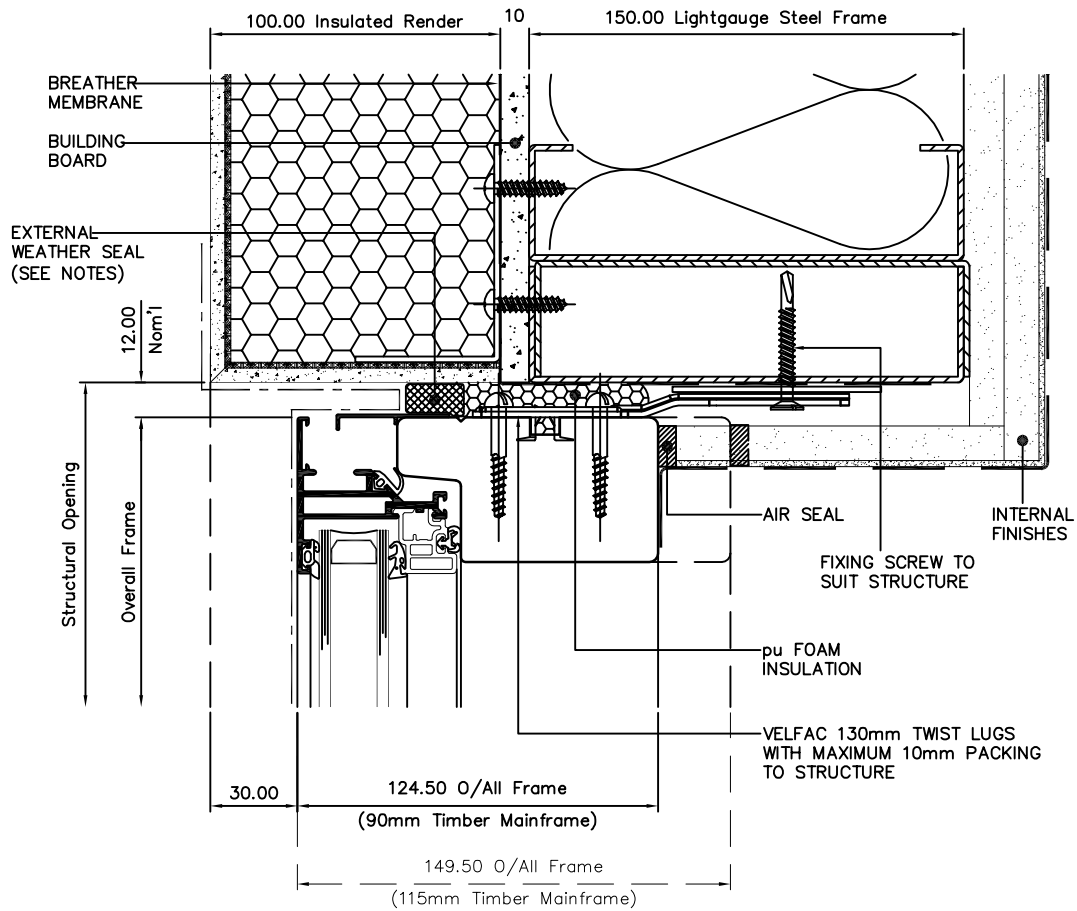
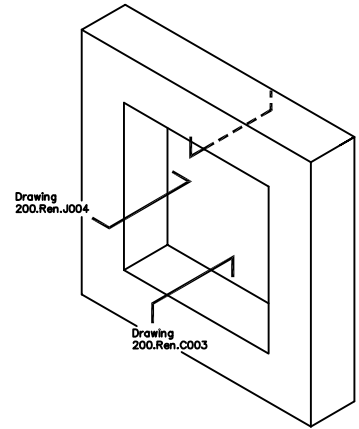
**Notes:**

**EXTERNAL WEATHER SEAL**

Compressible Impregnated Tape Seal, Size To Suit  
Finished Joint In Accordance With Manufacturers  
Recommendations

--- DENOTES AIR SEAL LINE

- - - - - DENOTES WEATHERSEAL LINE



VELFAC Ltd  
Tel. +44 1223 897100  
Fax. +44 1223 897101  
Web. www.VELFAC.co.uk

7				Scale.	1:2.5/A4
6				Date.	Feb 10
5				Drawn By.	iDS
4				Checked By.	J.R.
3	03/12	SDS	External weatherseal line added	Project No.	-
2	20/10	iDS	VELFAC Twist-In Lug Introduced	Dwg No.	200.Ren.H004
1	05/10	iDS	1st Issue		
Rev.	Week/Year	Sign.	Description	Edition No.	2

Title  
VELFAC 200 SYSTEM  
Typical Insulated Render Head Interface With  
Render Applied Prior To Frame Installation  
STEEL FRAME CONSTRUCTION

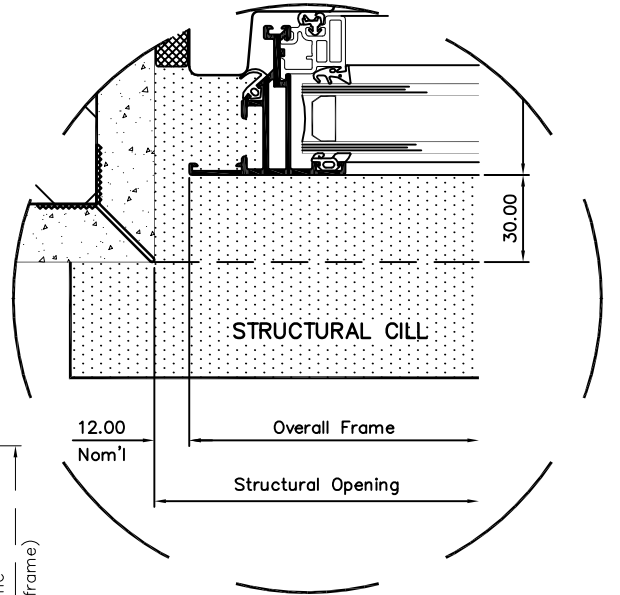
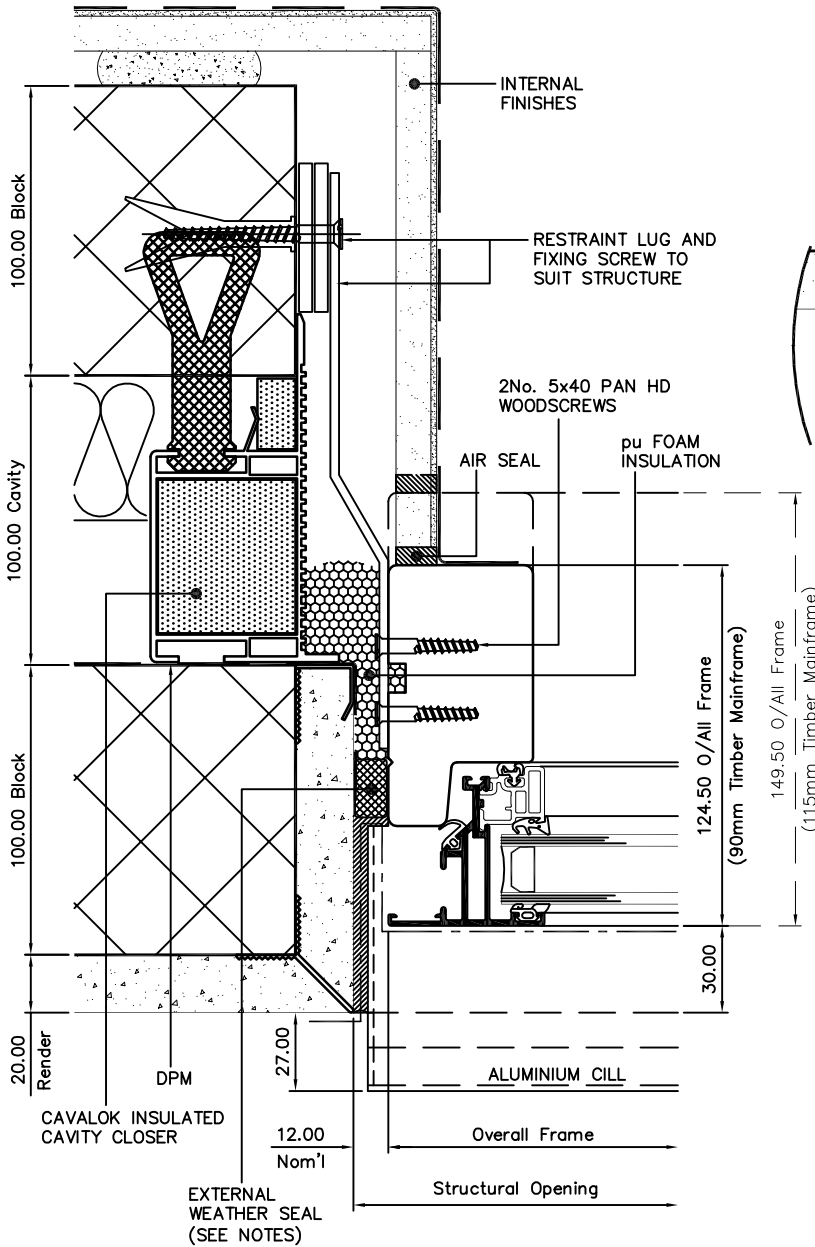
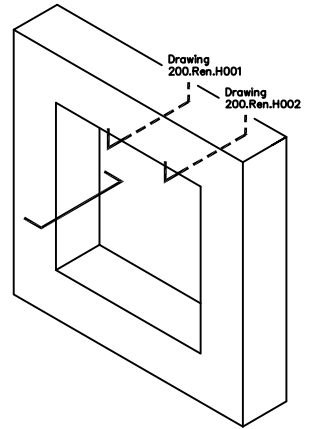
**Notes:**

**EXTERNAL WEATHER SEAL**

Compressible Impregnated Tape Seal, Size To Suit  
Finished Joint In Accordance With Manufacturers  
Recommendations

— — — — — DENOTES AIR SEAL LINE

- - - - - DENOTES WEATHERSEAL LINE



**ALTERNATIVE STRUCTURAL CILL ARRANGEMENT**



VELFAC Ltd  
Tel. +44 1223 897100  
Fax. +44 1223 897101  
Web. www.VELFAC.co.uk

Title  
VELFAC 200 SYSTEM  
Typical Rendered Jamb Interfaces With Render  
Applied Prior To Frame Installation  
MASONRY CONSTRUCTION

7				Scale.	1:2.5/A4
6				Date.	Feb 10
5				Drawn By.	IDS
4				Checked By.	J.R.
3				Project No.	-
2	03/12	SDS	Ext.weatherseal line added,cill downstand	Dwg No.	200.Ren.J001
1	05/10	IDS	1st Issue		
Rev.	Week/Year	Sign.	Description	Edition No.	1



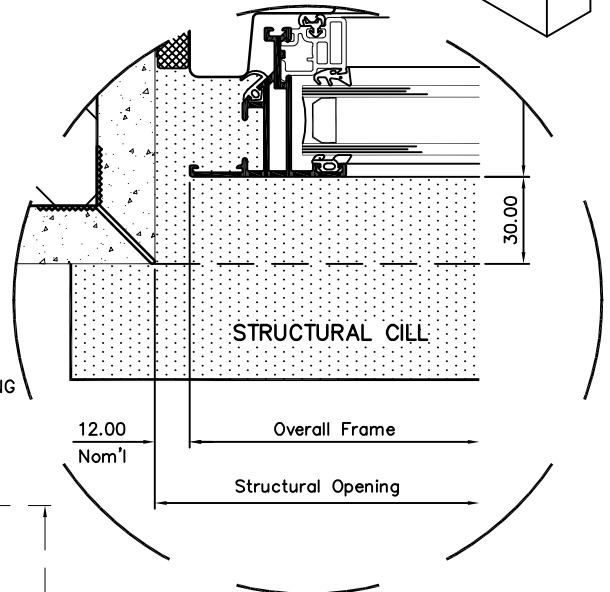
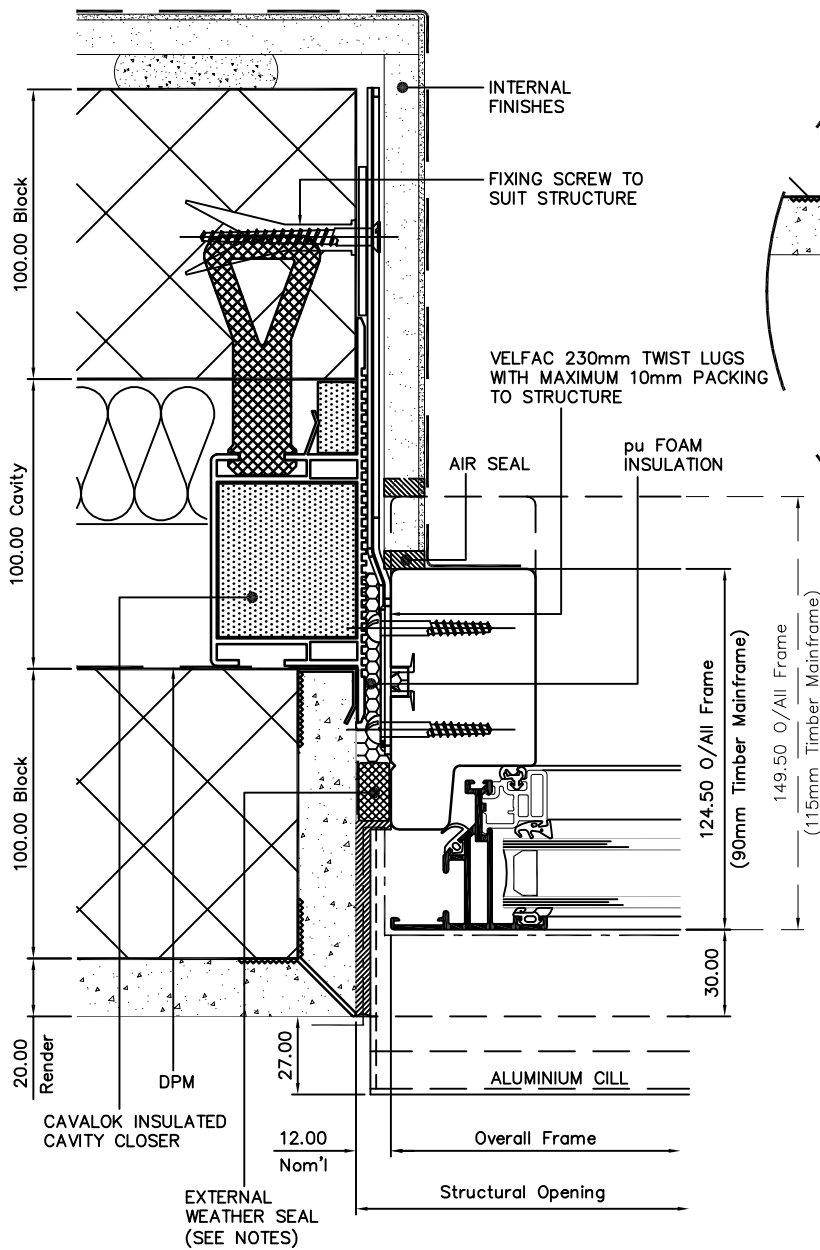
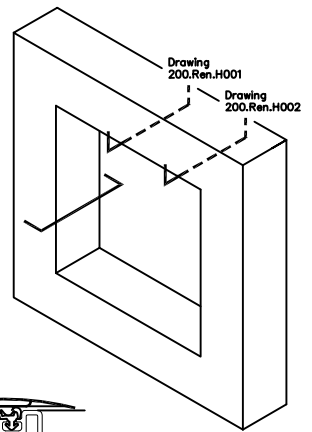
**Notes:**

**EXTERNAL WEATHER SEAL**

Compressible Impregnated Tape Seal, Size To Suit  
Finished Joint In Accordance With Manufacturers  
Recommendations

--- DENOTES AIR SEAL LINE

- - - - - DENOTES WEATHERSEAL LINE



**ALTERNATIVE STRUCTURAL CILL ARRANGEMENT**



VELFAC Ltd  
Tel. +44 1223 897100  
Fax. +44 1223 897101  
Web. www.VELFAC.co.uk

7				Scale.	1:2.5/A4
6				Date.	Feb 10
5				Drawn By.	IDS
4				Checked By.	J.R.
3	03/12	SDS	Ext. weatherseal line added, cill downstand	Project No.	-
2	20/10	IDS	VELFAC Twist-In Lug Introduced	Dwg No.	200.Ren.J002
1	05/10	IDS	1st Issue		
Rev.	Week/Year	Sign.	Description	Edition No.	2

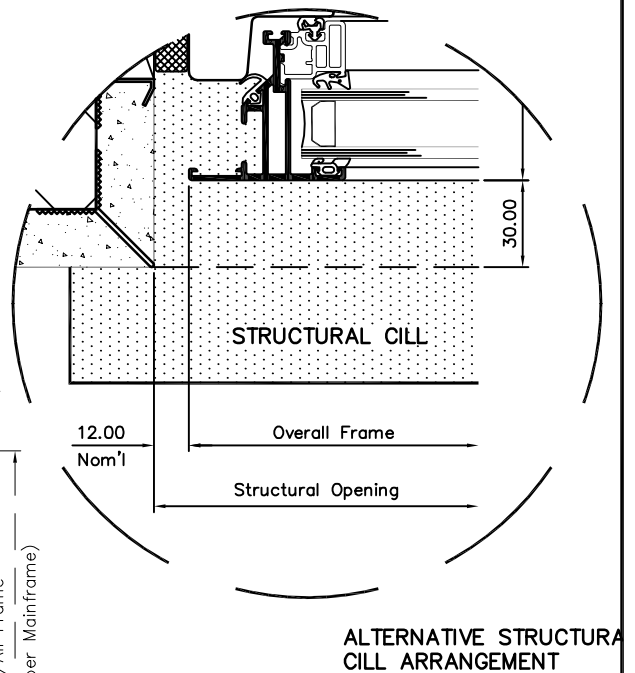
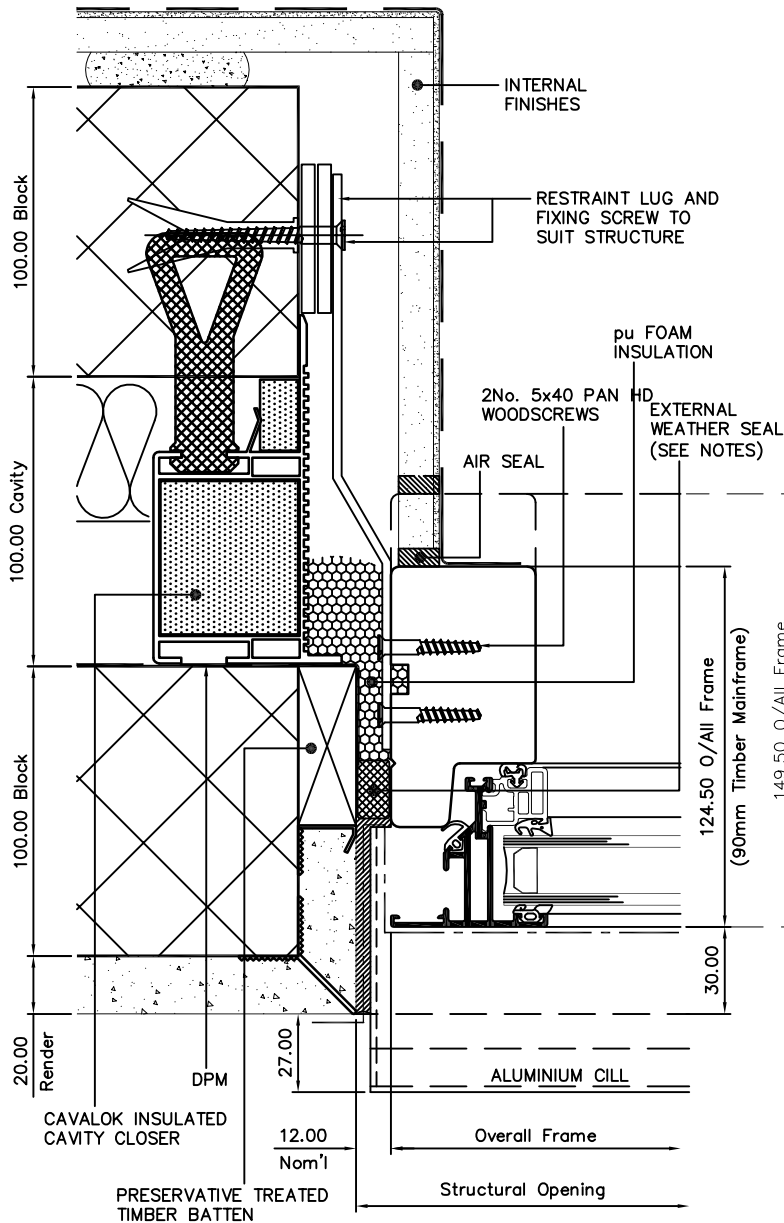
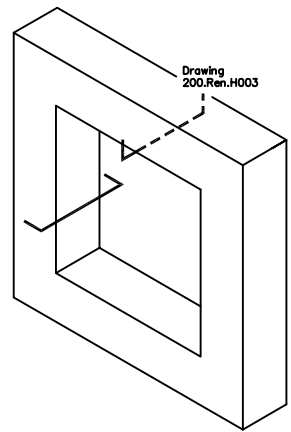
Title  
VELFAC 200 SYSTEM  
Typical Rendered Jamb Interfaces With Render  
Applied Prior To Frame Installation  
MASONRY CONSTRUCTION

**Notes:**

**CONSIDERATIONS OF INSTALLING FRAMES PRIOR TO RENDER:—**

1. Aluminium sashes will need to be removed & re-fitted after render application (cost implication)
2. Timber batten will need fitting lined & plumb prior to frame
3. Weather seal prone to damage from follow-on trades
4. Timber mainframes prone to damage from follow-on trades
5. Timber mainframes are at risk to water penetration (direct fixed)

--- DENOTES AIR SEAL LINE  
 - - - - - DENOTES WEATHERSEAL LINE



**Notes:**

**EXTERNAL WEATHER SEAL**  
 Compressible Impregnated Tape Seal, Size To Suit  
 Finished Joint In Accordance With Manufacturers  
 Recommendations



VELFAC Ltd  
 Tel. +44 1223 897100  
 Fax. +44 1223 897101  
 Web. www.VELFAC.co.uk

7				Scale.	1:2.5/A4
6				Date.	Feb 10
5				Drawn By.	IDS
4				Checked By.	J.R.
3				Project No.	-
2	03/12	SDS	Ext.weatherseal line added,cill downstand	Dwg No.	200.Ren.J003
1	05/10	IDS	1st Issue		
Rev.	Week/Year	Sign.	Description	Edition No.	1

This drawing must not be used or copied without the permission of VELFAC LTD

Title  
 VELFAC 200 SYSTEM  
 Typical Rendered Jamb Interfaces With Render  
 Applied After Frame Installation  
 MASONRY CONSTRUCTION

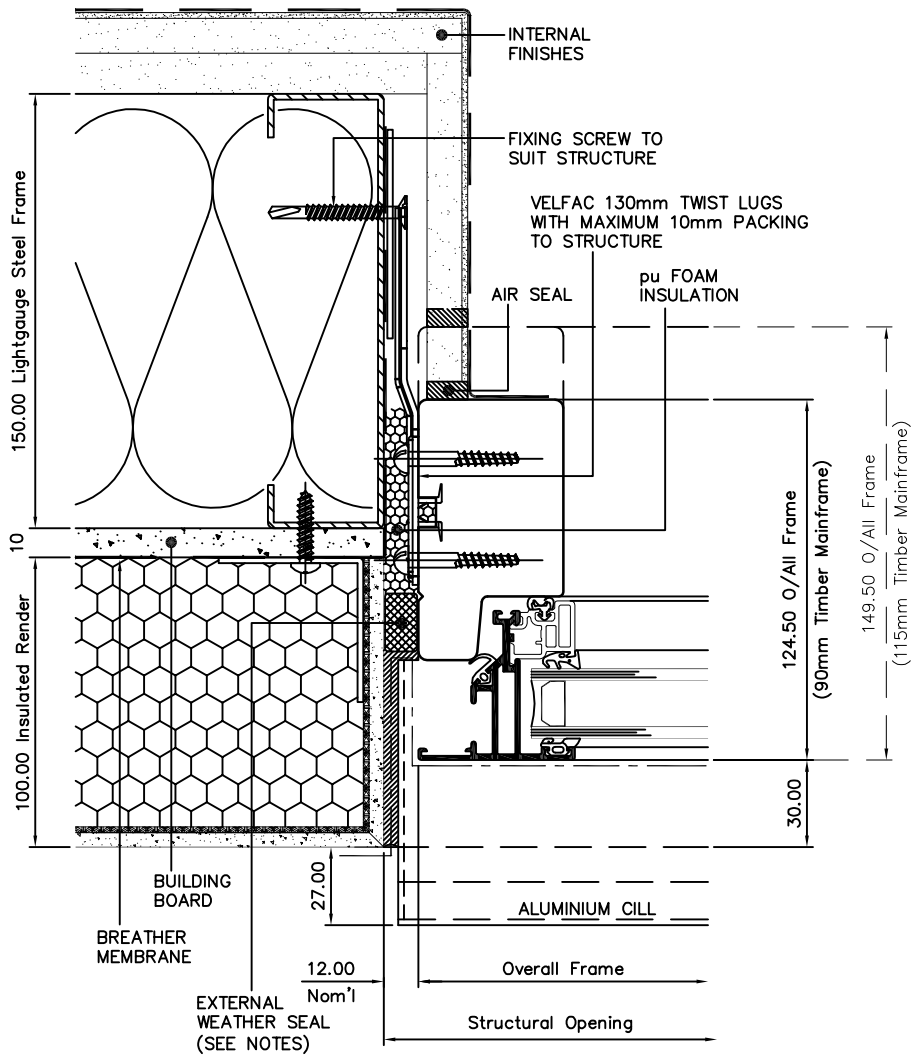
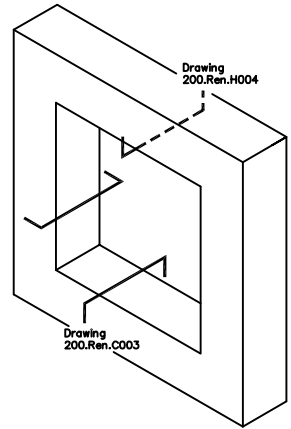
**Notes:**

**EXTERNAL WEATHER SEAL**

Compressible Impregnated Tape Seal, Size To Suit  
Finished Joint In Accordance With Manufacturers  
Recommendations

— — — — — DENOTES AIR SEAL LINE

- - - - - DENOTES WEATHERSEAL LINE



VELFAC Ltd  
Tel. +44 1223 897100  
Fax. +44 1223 897101  
Web. www.VELFAC.co.uk

7				Scale.	1:2.5/A4
6				Date.	Feb 10
5				Drawn By.	iDS
4				Checked By.	J.R.
3	03/12	SDS	Ext.weatherseal line added,cill downstand	Project No.	-
2	20/10	iDS	VELFAC Twist-In Lug Introduced	Dwg No.	200.Ren.J004
1	05/10	iDS	1st Issue		
Rev.	Week/Year	Sign.	Description	Edition No.	2

Title

VELFAC 200 SYSTEM  
Typical Insulated Render Jamb Interface With  
Render Applied Prior To Frame Installation

STEEL FRAME CONSTRUCTION