

Notes:

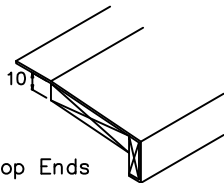
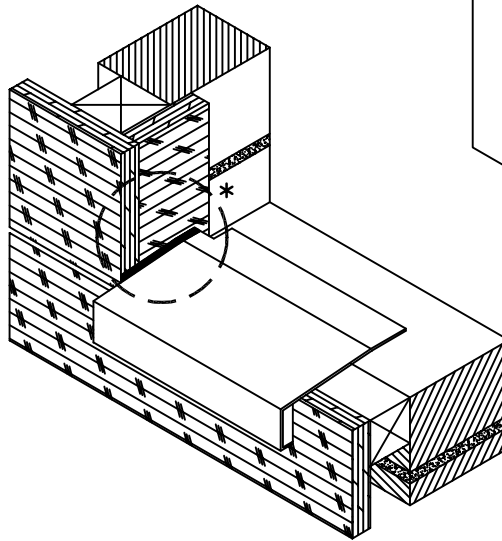
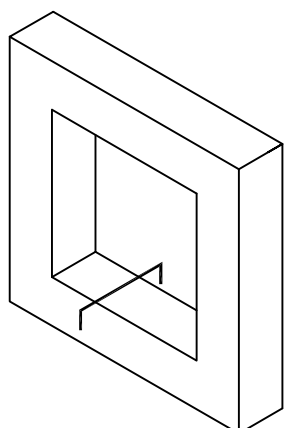
Method For Cill Attachment: -

- Apply silicone to attachment profile
- Apply pu foam to blockwork
- Apply cill pressing
- Apply silicone bead at each end of cill to fully seal to structure*

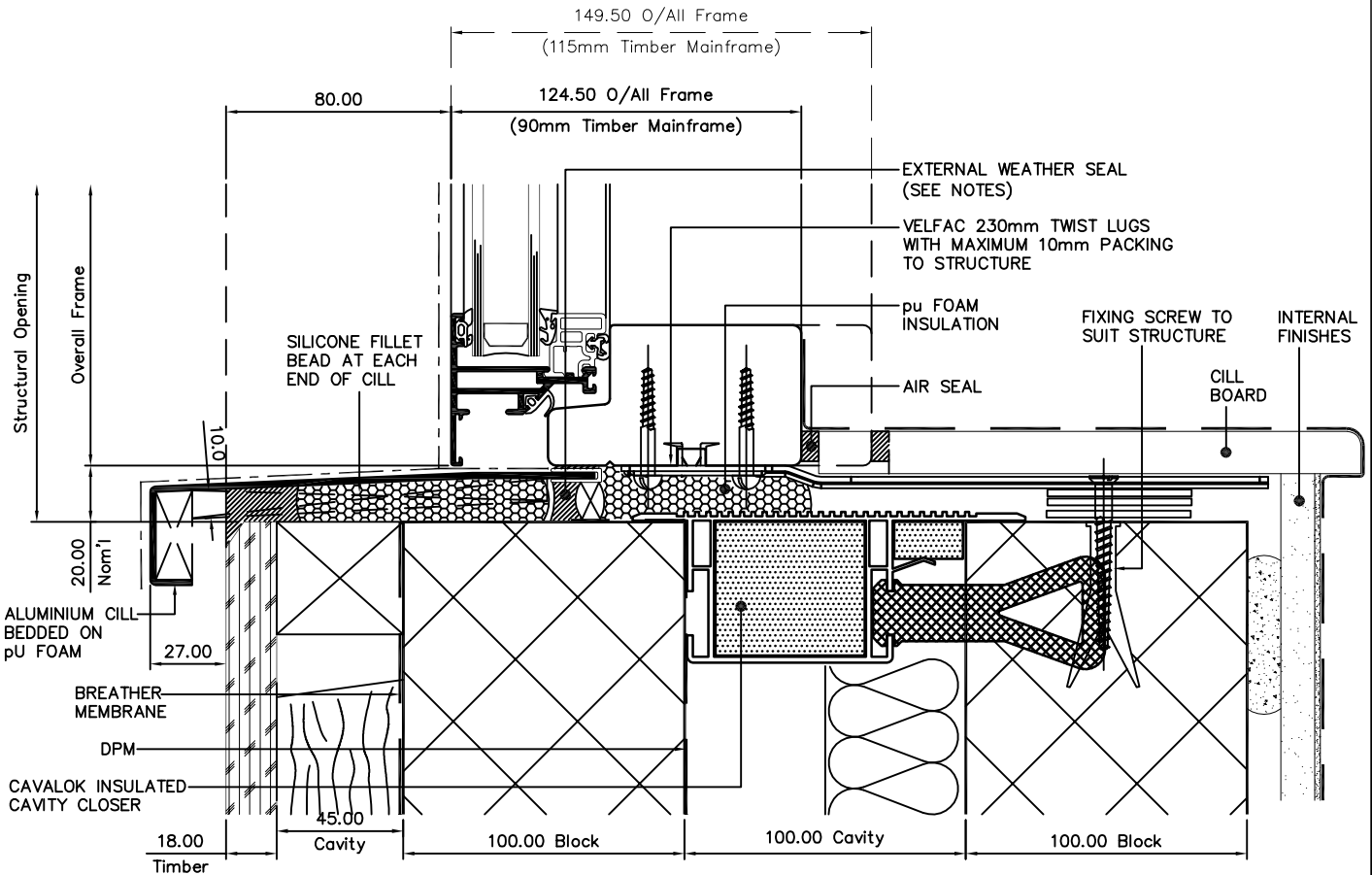
EXTERNAL WEATHER SEAL

Compressible Impregnated Tape Seal, Size To Suit Finished Joint In Accordance With Manufacturers Recommendations

- DENOTES AIR SEAL LINE
- - - - DENOTES WEATHERSEAL LINE



Folded Stop Ends



VELFAC Ltd
Tel. +44 1223 897100
Fax. +44 1223 897101
Web. www.VELFAC.co.uk

7				Scale.	1:2.5/A4
6				Date.	Feb 10
5				Drawn By.	IDS
4				Checked By.	J.R.
3	05/12	SDS	Ext. weatherseal line added, cill downstand	Project No.	-
2	20/10	IDS	VELFAC Twist-In Lug Introduced	Dwg No.	
1	05/10	IDS	1st Issue		200.Tim.C001
Rev.	Week/Year	Sign.	Description	Edition No.	2

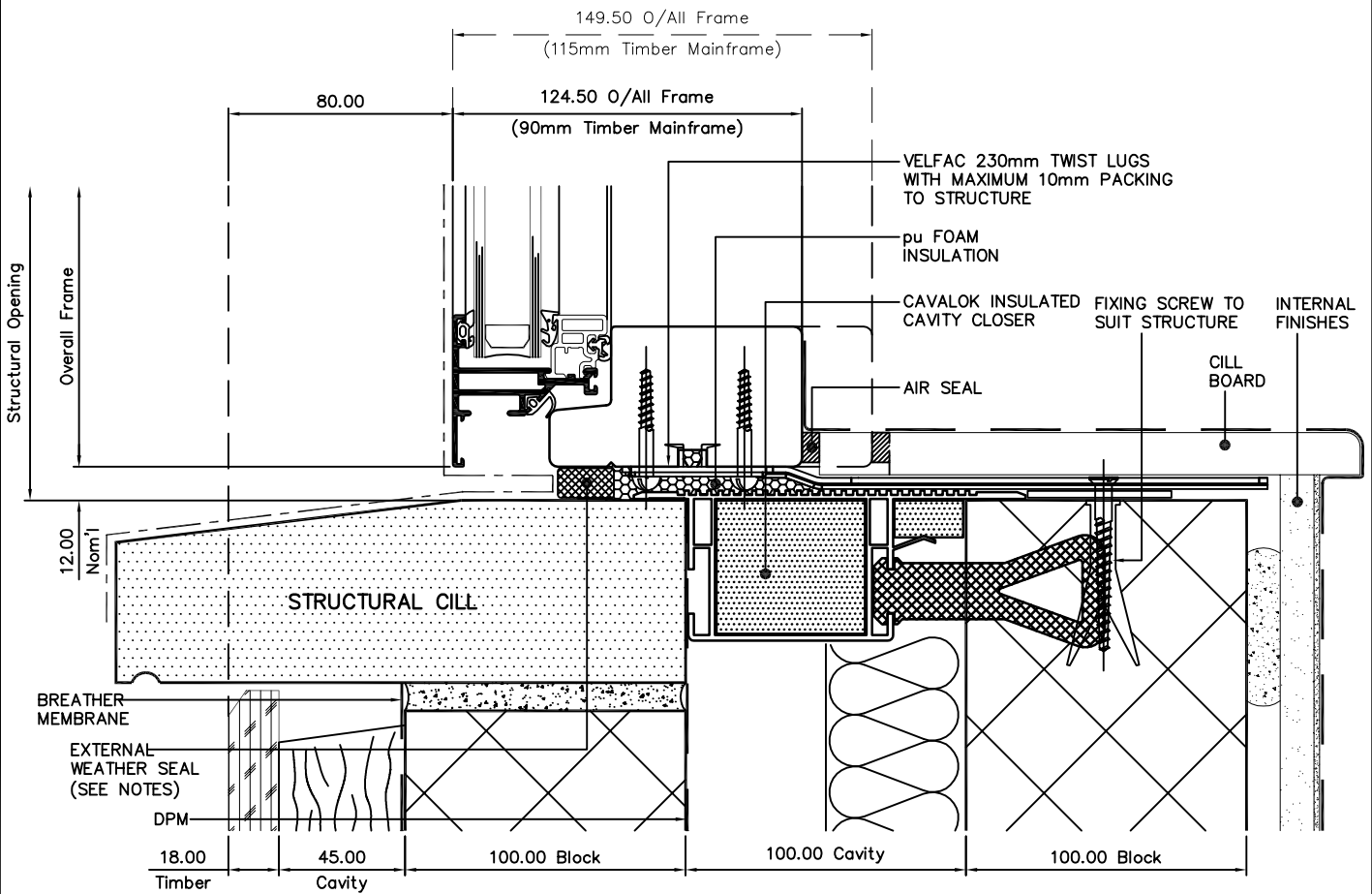
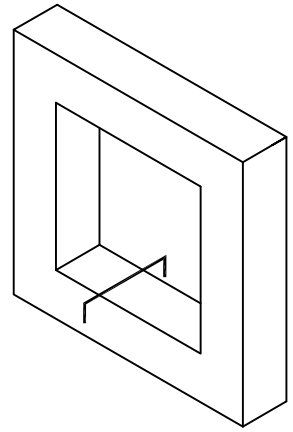
Title
VELFAC 200 SYSTEM
Typical Timber Clad Cill Interface With Aluminium Cill
MASONRY CONSTRUCTION

Notes:

EXTERNAL WEATHER SEAL

Compressible Impregnated Tape Seal, Size To Suit
 Finished Joint In Accordance With Manufacturers
 Recommendations

- — — — — DENOTES AIR SEAL LINE
- - - - - DENOTES WEATHERSEAL LINE



VELFAC Ltd
 Tel. +44 1223 897100
 Fax. +44 1223 897101
 Web. www.VELFAC.co.uk

7				Scale.	1:2.5/A4
6				Date.	Feb 10
5				Drawn By.	iDS
4				Checked By.	J.R.
3	05/12	SDS	External weatherseal line added	Project No.	-
2	20/10	iDS	VELFAC Twist-In Lug Introduced	Dwg No.	
1	05/10	iDS	1st Issue		200.Tim.C002
Rev.	Week/Year	Sign.	Description	Edition No.	2

Title
 VELFAC 200 SYSTEM
 Typical Timber Clad Cill Interface With Structural Cill
 MASONRY CONSTRUCTION

Notes:

Method For Cill Attachment:-

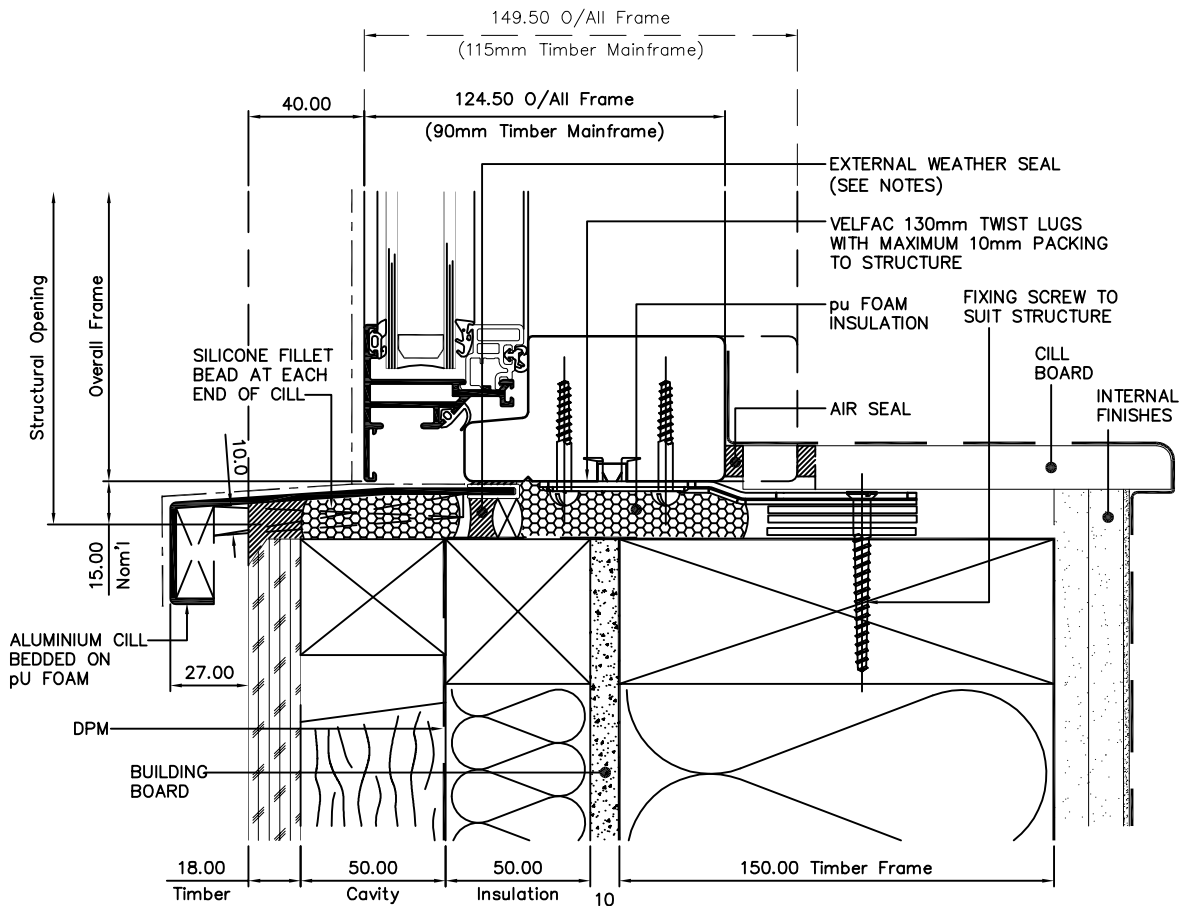
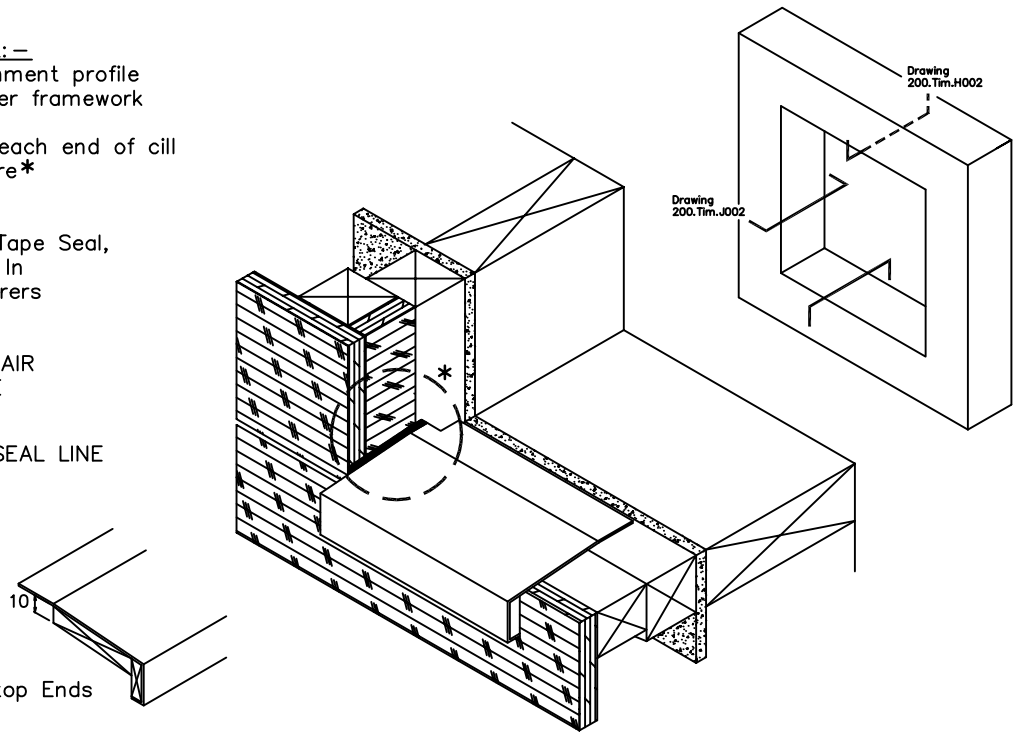
- Apply silicone to attachment profile
- Apply pu foam to timber framework
- Apply cill pressing
- Apply silicone bead at each end of cill to fully seal to structure*

EXTERNAL WEATHER SEAL

Compressible Impregnated Tape Seal, Size To Suit Finished Joint In Accordance With Manufacturers Recommendations

- DENOTES AIR SEAL LINE
- - - DENOTES WEATHERSEAL LINE

Folded Stop Ends



VELFAC Ltd
Tel. +44 1223 897100
Fax. +44 1223 897101
Web. www.VELFAC.co.uk

Title

VELFAC 200 SYSTEM
Typical Timber Clad Cill Interface With Cladding
Applied Prior To/After Frame Installation

TIMBER FRAME CONSTRUCTION

7				Scale.	1:2.5/A4
6				Date.	Feb 10
5				Drawn By.	iDS
4				Checked By.	J.R.
3	05/12	SDS	Ext.weatherseal line added,cill downstand	Project No.	-
2	20/10	iDS	VELFAC Twist-In Lug Introduced	Dwg No.	
1	05/10	iDS	1st Issue		200.Tim.C003
Rev.	Week/Year	Sign.	Description	Edition No.	2

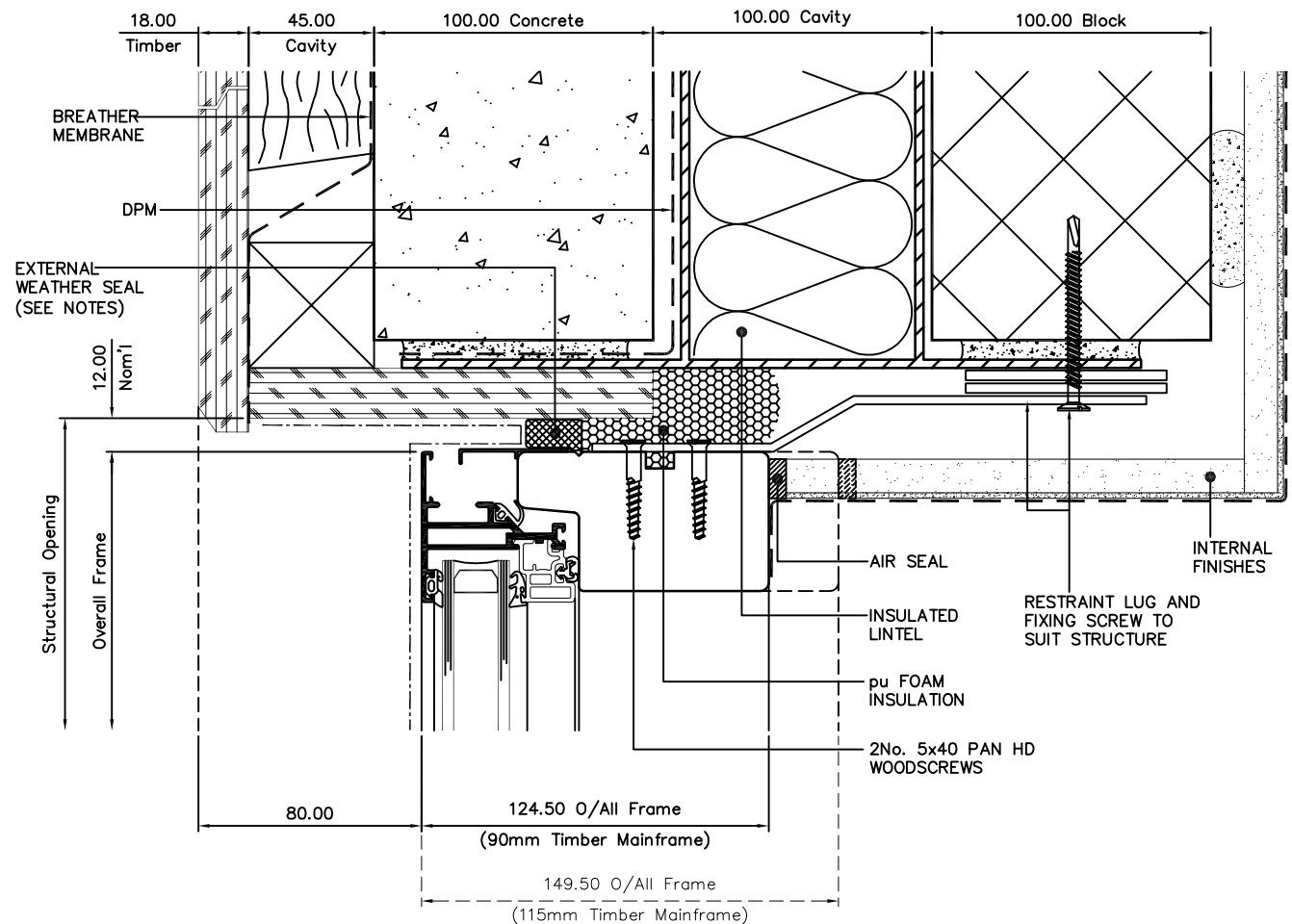
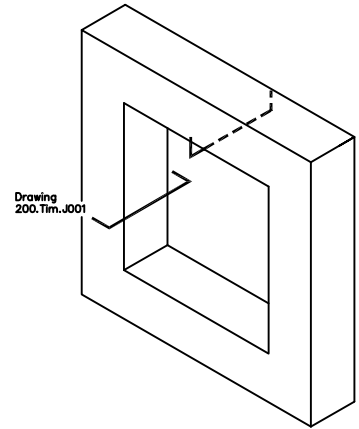
This drawing must not be used or copied without the permission of VELFAC LTD

Notes:

EXTERNAL WEATHER SEAL

Compressible Impregnated Tape Seal, Size To Suit
Finished Joint In Accordance With Manufacturers
Recommendations

- — — — — DENOTES AIR SEAL LINE
- - - - - DENOTES WEATHERSEAL LINE



VELFAC Ltd
Tel. +44 1223 897100
Fax. +44 1223 897101
Web. www.VELFAC.co.uk

7				Scale.	1:2.5/A4
6				Date.	Feb 10
5				Drawn By.	IDS
4				Checked By.	J.R.
3				Project No.	-
2	05/12	SDS	External weatherseal line added	Dwg No.	200.Tim.H001
1	05/10	IDS	1st Issue		
Rev.	Week/Year	Sign.	Description	Edition No.	1

Title
VELFAC 200 SYSTEM
Typical Timber Clad Head Interface With Cladding
Applied Prior To Frame Installation
MASONRY CONSTRUCTION

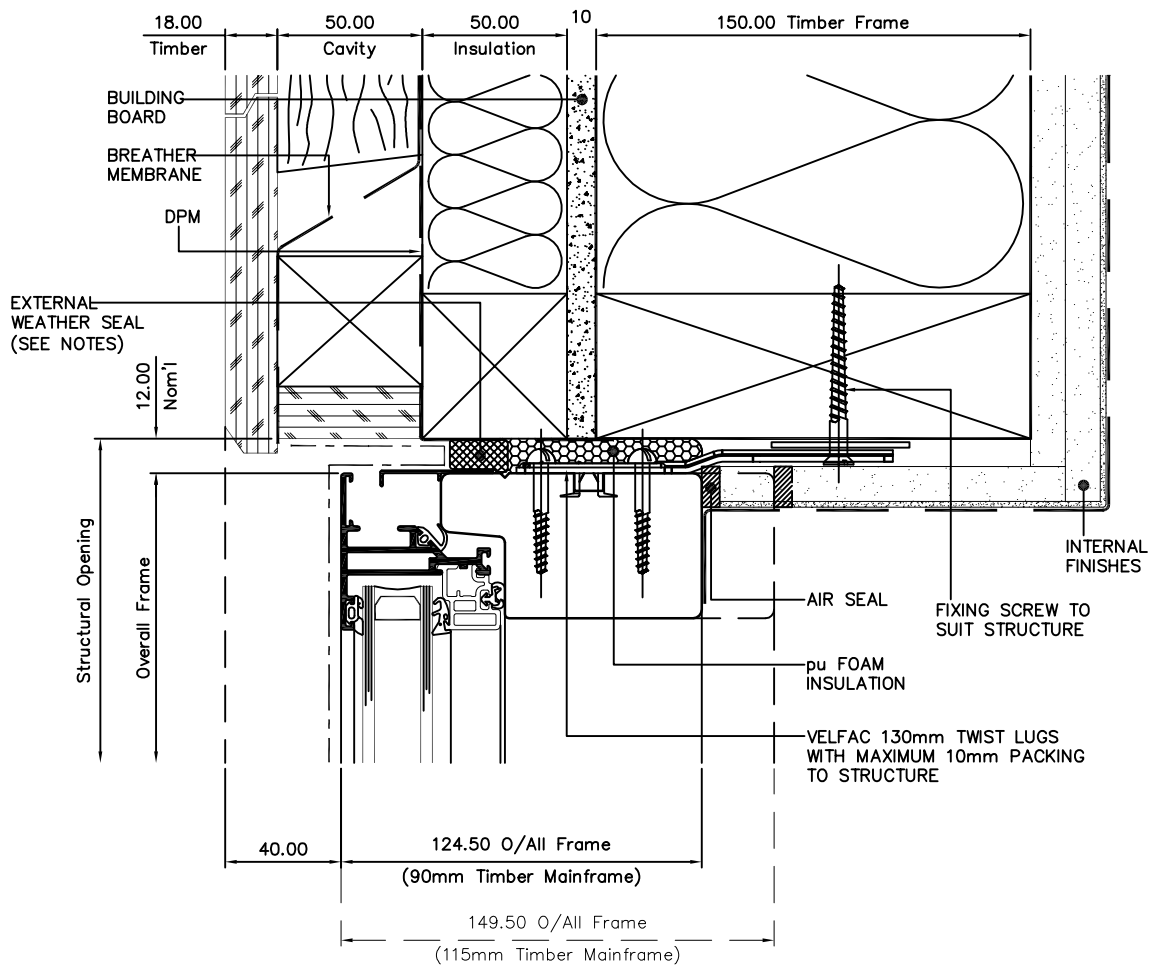
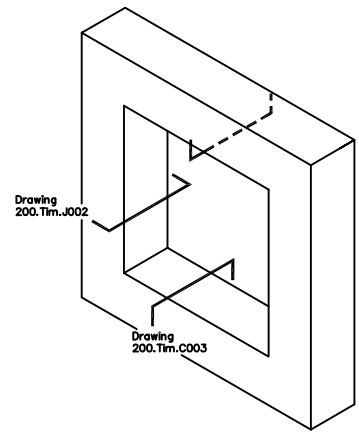
Notes:

EXTERNAL WEATHER SEAL

Compressible Impregnated Tape Seal, Size To Suit
 Finished Joint In Accordance With Manufacturers
 Recommendations

--- DENOTES AIR SEAL LINE

- - - - - DENOTES WEATHERSEAL LINE



VELFAC Ltd
 Tel. +44 1223 897100
 Fax. +44 1223 897101
 Web. www.VELFAC.co.uk

7				Scale.	1:2.5/A4
6				Date.	Feb 10
5				Drawn By.	iDS
4				Checked By.	J.R.
3	05/12	SDS	External weatherseal line added	Project No.	-
2	20/10	iDS	VELFAC Twist-In Lug Introduced	Dwg No.	200.Tim.H002
1	05/10	iDS	1st Issue		
Rev.	Week/Year	Sign.	Description	Edition No.	2

Title
 VELFAC 200 SYSTEM
 Typical Timber Clad Head Interface With Cladding
 Applied Prior To/After Frame Installation
 TIMBER FRAME CONSTRUCTION

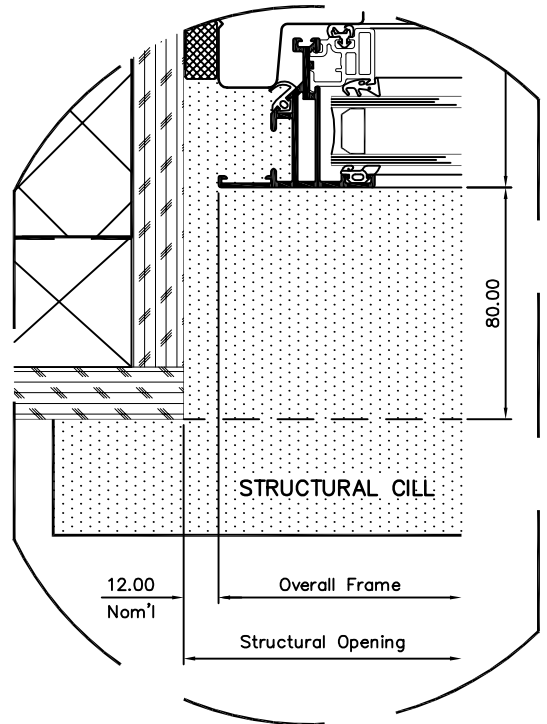
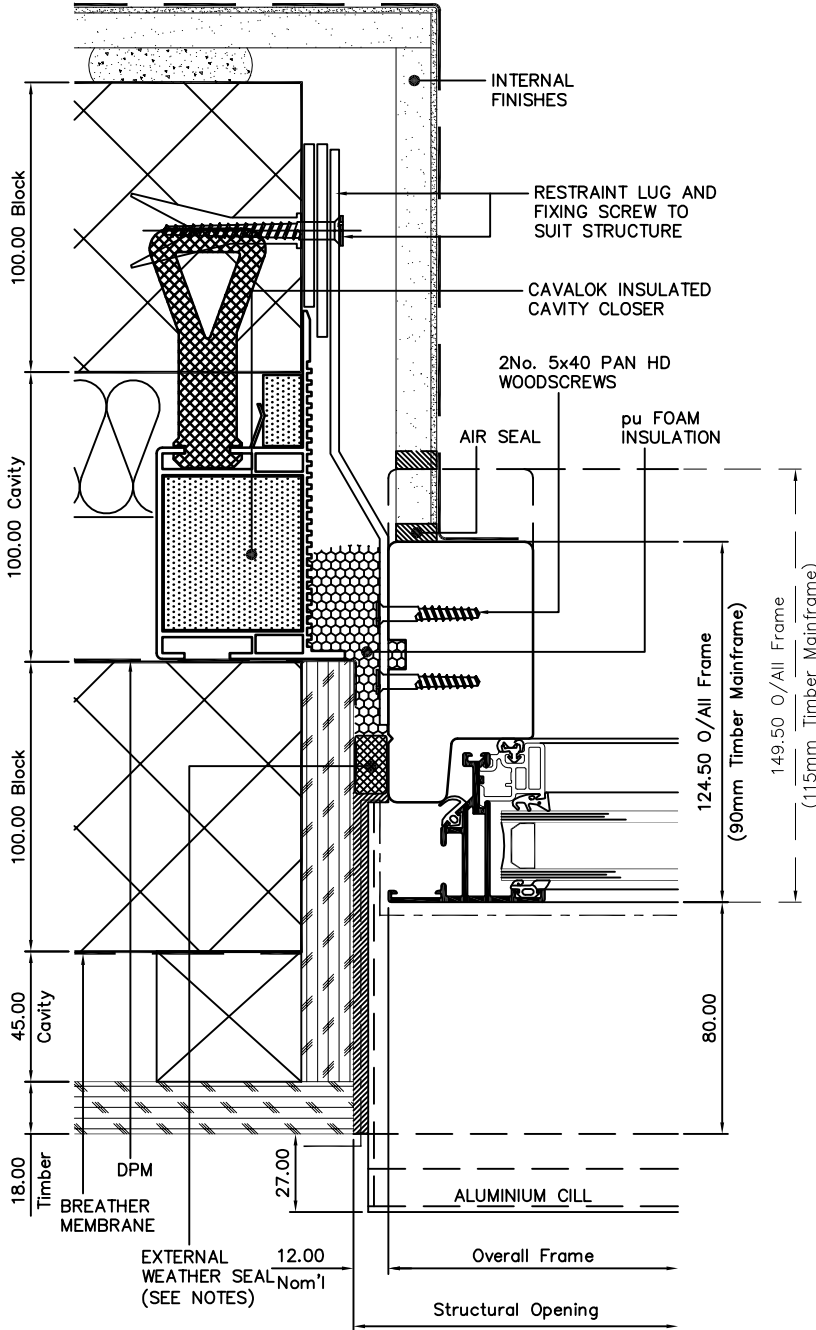
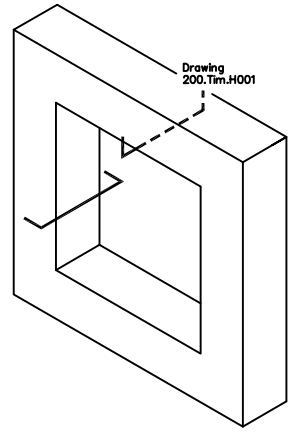
Notes:

EXTERNAL WEATHER SEAL

Compressible Impregnated Tape Seal, Size To Suit
Finished Joint In Accordance With Manufacturers
Recommendations

— — — — — DENOTES AIR SEAL LINE

- - - - - DENOTES WEATHERSEAL LINE



ALTERNATIVE STRUCTURAL CILL ARRANGEMENT



VELFAC Ltd
Tel. +44 1223 897100
Fax. +44 1223 897101
Web. www.VELFAC.co.uk

Title
VELFAC 200 SYSTEM
Typical Timber Clad Jamb Interface With Cladding
Applied Prior To Frame Installation
MASONRY CONSTRUCTION

7				Scale.	1:2.5/A4
6				Date.	Feb 10
5				Drawn By.	IDS
4				Checked By.	J.R.
3				Project No.	-
2	05/12	SDS	Ext.weatherseal line added,cill downstand	Dwg No.	200.Tim.J001
1	05/10	IDS	1st Issue		
Rev.	Week/Year	Sign.	Description	Edition No.	1

This drawing must not be used or copied without the permission of VELFAC LTD

