



TEROCO Windows & Doors Ltd.

Unit 1b, Riverview Business Park,
Nangor Road, Dublin 12
T : 01 450 7886
W : www.teroco.ie



Glenbeigh Construction Ltd.

Damastown Way, Damastown
Business Park, Co. Dublin
T : 01 822 70 08
W : <http://www.gcon.ie/>

● MAHONY PIKE

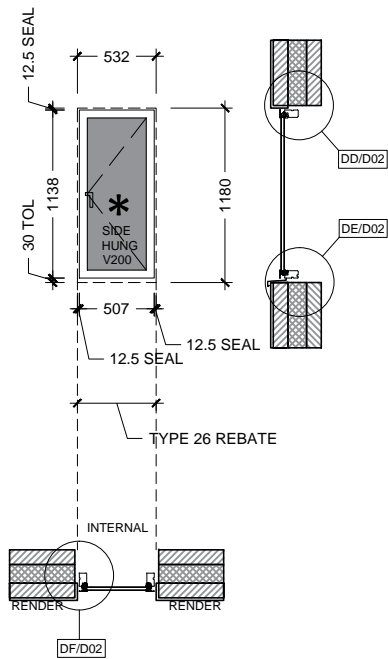
O'Mahony Pike Architects

The Chapel, Mount St Annes,
Milltown, Dublin 6,
T : 01 202 7400
W : <http://omparchitects.com/>

(Q T E 3 1 6) C L A N C Y Q U A Y P H A S E 2 . 1

COURTYARD TOWNHOUSES TYPE 3A & 3B

REVISION B TEROCO SCHEDULES & DETAILS ISSUE 4 12-10-2015



Total 6 No.

NOTE: STRUCTURAL OPES FOR TYPE 3, 4 & 5 WINDOWS ARE MEASURED FROM RENDER NOT BLOCKWORK

LOCATIONS (TYPE 4- HOUSE TYPE 3A)

HOUSE TYPE	REFERENCE	STR WIDTH	STR HEIGHT	QUANTITY
CT-156-00	(W-00-03/S-04)	532	1180	1
CT-157-00	(W-00-03/S-04)	532	1180	1
CT-158-00	(W-00-03/S-04)	532	1180	1
CT-159-00	(W-00-03/S-04)	532	1180	1
CT-160-00	(W-00-03/S-04)	532	1180	1
TOTAL				5

LOCATIONS (TYPE 4- HOUSE TYPE 3B)

HOUSE TYPE	REFERENCE	STR WIDTH	STR HEIGHT	QUANTITY
CT-161-00	(W-00-03/S-04)	532	1180	1
TOTAL				1

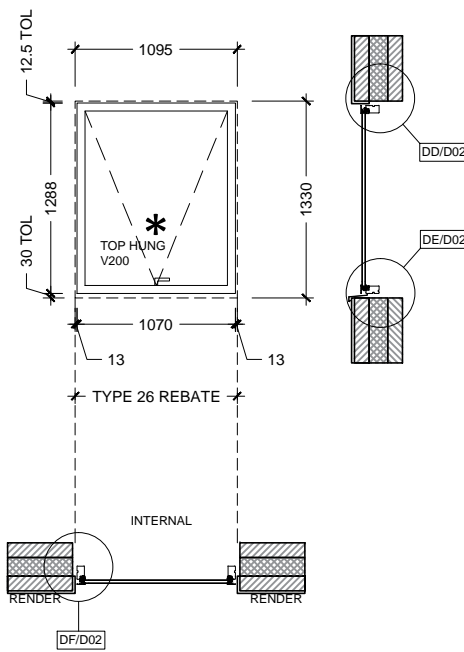
PROJECT SPECIFICATIONS

DESCRIPTION	TEROCO VELFAC V200 SYSTEM
GLASS TYPE	LOW E ARGON FILLED. (DG & TG - AS NOTED)
EXTERNAL RAL	RAL 7021 GLOSS 77%
INTERNAL	CLEAR LACQUER PINE FINISH
RESTRICTORS	QUICK RELEASE TO V200 OPENING SECTIONS
HANDLES	STANDARD
TRIMVENT	NONE REQUIRED
SAFETY GLASS	* BS 6206
GLAZING BEAD	LIGHT GREY GLAZING BEAD
GALSS SPACER	LIGHT GREY SPACER BAR
ORDER NO.	TBC

UNIT SPECIFICATION

GLASS SPEC	DOUBLE / SATIN
G-VALUE	0.6
U-VALUE	1.59

TO BE APPROVED



Total 6 No.

NOTE: STRUCTURAL OPES FOR TYPE 3, 4 & 5 WINDOWS ARE MEASURED FROM RENDER NOT BLOCKWORK

LOCATIONS (TYPE 5- HOUSE TYPE 3A)

HOUSE TYPE	REFERENCE	STR WIDTH	STR HEIGHT	QUANTITY
CT-156-00	(W-00-04/S-05)	1095	1330	1
CT-157-00	(W-00-04/S-05)	1095	1330	1
CT-158-00	(W-00-04/S-05)	1095	1330	1
CT-159-00	(W-00-04/S-05)	1095	1330	1
CT-160-00	(W-00-04/S-05)	1095	1330	1
TOTAL				5

LOCATIONS (TYPE 5- HOUSE TYPE 3B)

HOUSE TYPE	REFERENCE	STR WIDTH	STR HEIGHT	QUANTITY
CT-161-00	(W-00-04/S-05)	1095	1330	1
TOTAL				1

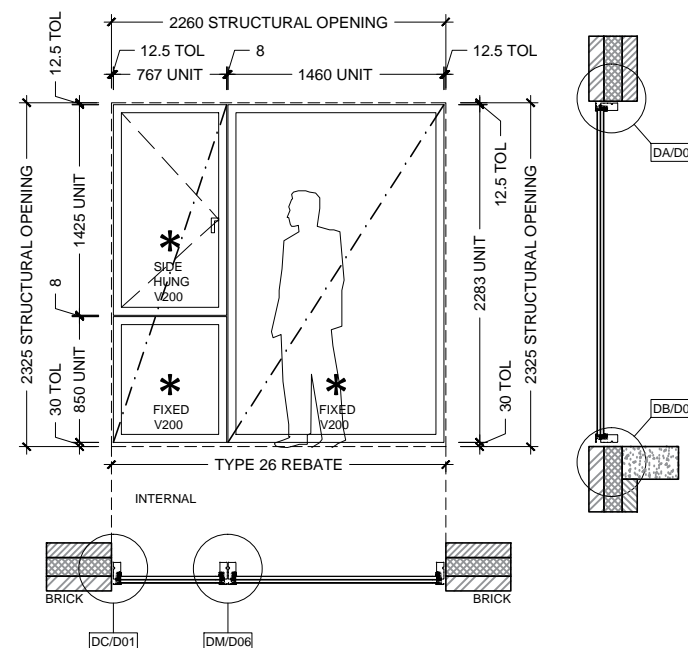
PROJECT SPECIFICATIONS

DESCRIPTION	TEROCO VELFAC V200 SYSTEM
GLASS TYPE	LOW E ARGON FILLED. (DG & TG - AS NOTED)
EXTERNAL RAL	RAL 7021 GLOSS 77%
INTERNAL	CLEAR LACQUER PINE FINISH
RESTRICTORS	QUICK RELEASE TO V200 OPENING SECTIONS
HANDLES	STANDARD
TRIMVENT	NONE REQUIRED
SAFETY GLASS	* BS 6206
GLAZING BEAD	LIGHT GREY GLAZING BEAD
GALSS SPACER	LIGHT GREY SPACER BAR
ORDER NO.	TBC

UNIT SPECIFICATION

GLASS SPEC	DOUBLE
G-VALUE	0.55
U-VALUE	1.59

TO BE APPROVED



Total 12 No.

LOCATIONS (TYPE 6- HOUSE TYPE 3A)

HOUSE TYPE	REFERENCE	STR WIDTH	STR HEIGHT	QUANTITY
CT-156-00	(W-01-03/N-06)	2260	2325	1
CT-156-00	(W-02-01/N-06)	2260	2325	1
CT-157-00	(W-01-03/N-06)	2260	2325	1
CT-157-00	(W-02-01/N-06)	2260	2325	1
CT-158-00	(W-01-03/N-06)	2260	2325	1
CT-158-00	(W-02-01/N-06)	2260	2325	1
CT-159-00	(W-01-03/N-06)	2260	2325	1
CT-159-00	(W-02-01/N-06)	2260	2325	1
CT-160-00	(W-01-03/N-06)	2260	2325	1
CT-160-00	(W-02-01/N-06)	2260	2325	1
TOTAL				10

LOCATIONS (TYPE 8- HOUSE TYPE 3B)

HOUSE TYPE	REFERENCE	STR WIDTH	STR HEIGHT	QUANTITY
CT-161-00	(W-01-03/N-08)	2260	2325	1
CT-161-00	(W-02-01/N-08)	2260	2325	1
TOTAL				2

PROJECT SPECIFICATIONS

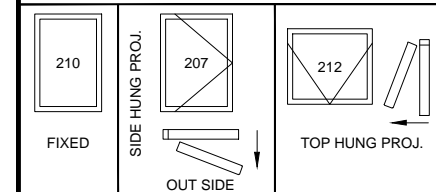
DESCRIPTION	TEROCO VELFAC V200 SYSTEM
GLASS TYPE	LOW E ARGON FILLED. (DG & TG - AS NOTED)
EXTERNAL RAL	RAL 7021 GLOSS 77%
INTERNAL	CLEAR LACQUER PINE FINISH
RESTRICTORS	QUICK RELEASE TO V200 OPENING SECTIONS
HANDLES	STANDARD
TRIMVENT	NONE REQUIRED
SAFETY GLASS	* BS 6206
GLAZING BEAD	LIGHT GREY GLAZING BEAD
GALSS SPACER	LIGHT GREY SPACER BAR
ORDER NO.	TBC

UNIT SPECIFICATION

GLASS SPEC	TRIPLE
G-VALUE	0.47 Left / 0.47 Right
U-VALUE	0.95 Left / 0.76 Right

TO BE APPROVED

NOTE: TEROCO DRAWINGS ARE VIEWED FROM THE OUTSIDE AND USE EUROPEAN NOTATION - WITH THE POINT OF THE CHEVRON, THAT INDICATES THE OPENING LIGHTS POINTING TO THE HANDLE



TEROCO VELFAC ORDER 1 HOUSE TYPE 3A/B

MANUFACTURE SCHEDULES ISSUED 01-10-2015

REV	DESCRIPTION	DATE
B	REVISED FOR PRODUCTION FROM ARCH COMMENTS	01-10-15
A	REVISED FROM MEETING WITH ARCHITECT	29-09-15

TEROCO CONTRACT REF QTE316
CLANCY QUAY PHASE 2.1

CONTRACTOR: GLENBEIGH Construction
Damastown Way, Damastown Business Park, Co. Dublin
Ph: 01 822 70 08 info@gcon.ie

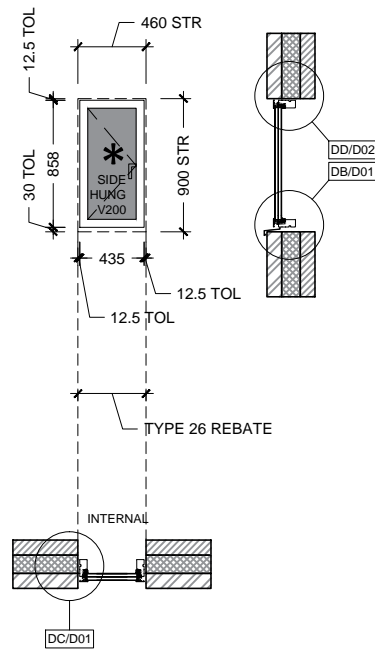
MAHONY PIKE
The Chapel, Mount St Annes, Milltown, Dublin 6,
Ph: 01 202 7400 info@omparchitects.com

DRAWING TITLE WINDOW SCHEDULES TOWNHOUSES 3A&B

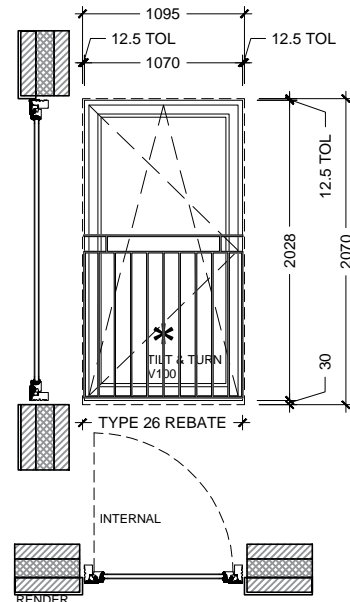
SHEET NO.	DRG NO.	REV.	
S02	S-TH-3A/B	B	
DRAWN	DATE	SCALE/PLOT	CHECKED
FB	26-09-15	1:20	BB



TEROCO Windows & Doors Ltd.
Unit 1b, Riverview Business Park,
Nangor Road, Dublin 12
T : 01 450 7886
W : www.teroco.ie



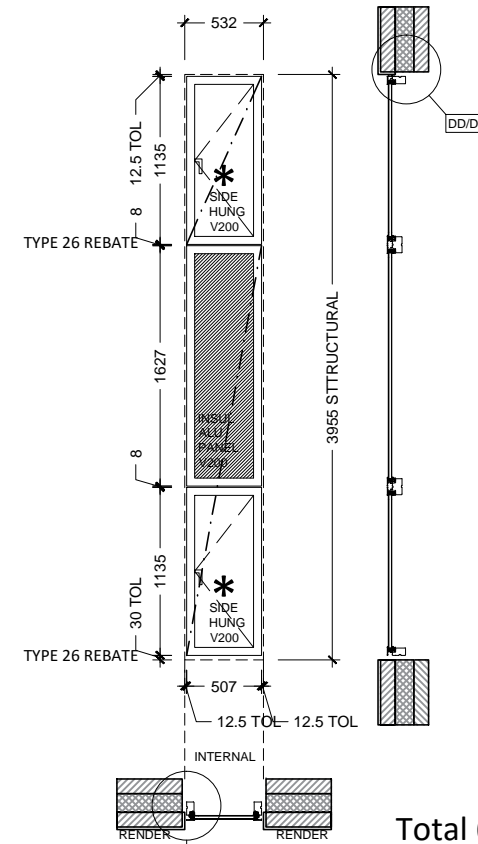
Total 12 No.



TBC
NOTE:
EXTERNALLY MOUNTED RAL 7021
PPC FINISH RAILING
BALUSTRADES BY OTHERS

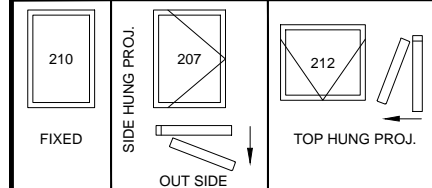
NOTE:
1.5Kn LOAD BEARING

Total 12 No.



Total 6 No.

NOTE: TEROCO DRAWINGS ARE VIEWED FROM THE OUTSIDE AND USE EUROPEAN NOTATION - WITH THE POINT OF THE CHEVRON, THAT INDICATES THE OPENING LIGHTS POINTING TO THE HANDLE



TEROCO
VELFAC
ORDER 1
HOUSE TYPE 3A/B

MANUFACTURE
SCHEDULES
ISSUED
01-10-2015

LOCATIONS (TYPE 7- HOUSE TYPE 3A)

HOUSE TYPE	REFERENCE	STR WIDTH	STR HEIGHT	QUANTITY
CT-156-00	(W-01-01/N-07)	460	900	1
CT-156-00	(W-01-02/N-07)	460	900	1
CT-157-00	(W-01-01/N-07)	460	900	1
CT-157-00	(W-01-02/N-07)	460	900	1
CT-158-00	(W-01-01/N-07)	460	900	1
CT-158-00	(W-01-02/N-07)	460	900	1
CT-159-00	(W-01-01/N-07)	460	900	1
CT-159-00	(W-01-02/N-07)	460	900	1
CT-160-00	(W-01-01/N-07)	460	900	1
CT-160-00	(W-01-02/N-07)	460	900	1
TOTAL				10

LOCATIONS (TYPE 9- HOUSE TYPE 3B)

HOUSE TYPE	REFERENCE	STR WIDTH	STR HEIGHT	QUANTITY
CT-161-00	(W-01-01/N-09)	460	900	1
CT-161-00	(W-01-02/N-09)	460	900	1
TOTAL				2

PROJECT SPECIFICATIONS

DESCRIPTION	TEROCO VELFAC V200 SYSTEM
GLASS TYPE	LOW E ARGON FILLED. (DG & TG - AS NOTED)
EXTERNAL RAL	RAL 7021 GLOSS 77%
INTERNAL	CLEAR LACQUER PINE FINISH
RESTRICTORS	QUICK RELEASE TO V200 OPENING SECTIONS
HANDLES	STANDARD
TRIMVENT	NONE REQUIRED
SAFETY GLASS	* BS 6206
GLAZING BEAD	LIGHT GREY GLAZING BEAD
GALSS SPACER	LIGHT GREY SPACER BAR
ORDER NO.	TBC

TO BE APPROVED

UNIT SPECIFICATION

GLASS SPEC	TRIPLE / SATIN
G-VALUE	na
U-VALUE	1.17

LOCATIONS (TYPE 8- HOUSE TYPE 3A)

HOUSE TYPE	REFERENCE	STR WIDTH	STR HEIGHT	QUANTITY
CT-156-00	(W-01-04/S-08)	1095	2070	1
CT-156-00	(W-01-06/S-08)	1095	2070	1
CT-157-00	(W-01-04/S-08)	1095	2070	1
CT-157-00	(W-01-06/S-08)	1095	2070	1
CT-158-00	(W-01-04/S-08)	1095	2070	1
CT-158-00	(W-01-06/S08)	1095	2070	1
CT-159-00	(W-01-04/S-08)	1095	2070	1
CT-159-00	(W-01-06/S-08)	1095	2070	1
CT-160-00	(W-01-04/S-08)	1095	2070	1
CT-160-00	(W-01-06/N-08)	1095	2070	1
TOTAL				10

LOCATIONS (TYPE 10- HOUSE TYPE 3B)

HOUSE TYPE	REFERENCE	STR WIDTH	STR HEIGHT	QUANTITY
CT-161-00	(W-01-06/S-010)	1095	2070	1
CT-161-00	(W-01-08/S-010)	1095	2070	1
TOTAL				2

PROJECT SPECIFICATIONS

DESCRIPTION	TEROCO VELFAC V200 SYSTEM
GLASS TYPE	LOW E ARGON FILLED. (DG & TG - AS NOTED)
EXTERNAL RAL	RAL 7021 GLOSS 77%
INTERNAL	CLEAR LACQUER PINE FINISH
RESTRICTORS	QUICK RELEASE TO V200 OPENING SECTIONS
HANDLES	STANDARD
TRIMVENT	NONE REQUIRED
SAFETY GLASS	* BS 6206
GLAZING BEAD	LIGHT GREY GLAZING BEAD
GALSS SPACER	LIGHT GREY SPACER BAR
ORDER NO.	TBC

TO BE APPROVED

UNIT SPECIFICATION

GLASS SPEC	DOUBLE
G-VALUE	0.55
U-VALUE	1.31

LOCATIONS (TYPE 9- HOUSE TYPE 3A)

HOUSE TYPE	REFERENCE	STR WIDTH	STR HEIGHT	QUANTITY
CT-156-00	(W-01-05/S-09)	532	3955	1
CT-157-00	(W-01-05/S-09)	532	3955	1
CT-158-00	(W-01-05/S-09)	532	3955	1
CT-159-00	(W-01-05/S-09)	532	3955	1
CT-160-00	(W-01-05/S-09)	532	3955	1
TOTAL				5

LOCATIONS (TYPE 11- HOUSE TYPE 3B)

HOUSE TYPE	REFERENCE	STR WIDTH	STR HEIGHT	QUANTITY
CT-161-00	(W-01-07/S-11)	532	3955	1
TOTAL				1

PROJECT SPECIFICATIONS

DESCRIPTION	TEROCO VELFAC V200 SYSTEM
GLASS TYPE	LOW E ARGON FILLED. (DG & TG - AS NOTED)
EXTERNAL RAL	RAL 7021 GLOSS 77%
INTERNAL	CLEAR LACQUER PINE FINISH
RESTRICTORS	QUICK RELEASE TO V200 OPENING SECTIONS
HANDLES	STANDARD
TRIMVENT	NONE REQUIRED
SAFETY GLASS	* BS 6206
GLAZING BEAD	LIGHT GREY GLAZING BEAD
GALSS SPACER	LIGHT GREY SPACER BAR
ORDER NO.	TBC

TO BE APPROVED

UNIT SPECIFICATION

GLASS SPEC	DOUBLE
G-VALUE	0.55 Top / NA Middle / 0.55 Bottom
U-VALUE	1.67 Top / 0.6 Middle / 1.67 Bottom

REV	DESCRIPTION	DATE
B	REVISED FOR PRODUCTION FROM ARCH COMMENTS	01-10-15
A	REVISED FROM MEETING WITH ARCHITECT	29-09-15

TEROCO CONTRACT REF
QTE316
CLANCY QUAY PHASE 2.1

CONTRACTOR
GLENBEIGH construction
Damastown Way,
Damastown Business Park,
Co. Dublin
Ph: 01 822 70 08
info@gcon.ie

MAHONY PIKE
The Chapel,
Mount St Annes,
Miltown,
Dublin 6,
Ph: 01 202 7400
info@omparchitects.com

DRAWING TITLE
WINDOW SCHEDULES TOWNHOUSES 3A&B

SHEET NO.	DRG NO.	REV.
S03	S-TH-3A/B	B

DRAWN	DATE	SCALE/PLOT	CHECKED
FB	26-09-15	1:20	BB



TEROCO Windows & Doors Ltd.
Unit 1b, Riverview Business Park,
Nangor Road, Dublin 12
T : 01 450 7886
W : www.teroco.ie



TEROCO Windows & Doors Ltd.

Unit 1b, Riverview Business Park,
Nangor Road, Dublin 12
T : 01 450 7886
W : www.teroco.ie



Glenbeigh Construction Ltd.

Damastown Way, Damastown
Business Park, Co. Dublin
T : 01 822 70 08
W : <http://www.gcon.ie/>

● MAHONY PIKE

O'Mahony Pike Architects

The Chapel, Mount St Annes,
Milltown, Dublin 6,
T : 01 202 7400
W : <http://omparchitects.com/>

(Q T E 3 1 6) C L A N C Y Q U A Y P H A S E 2 . 1

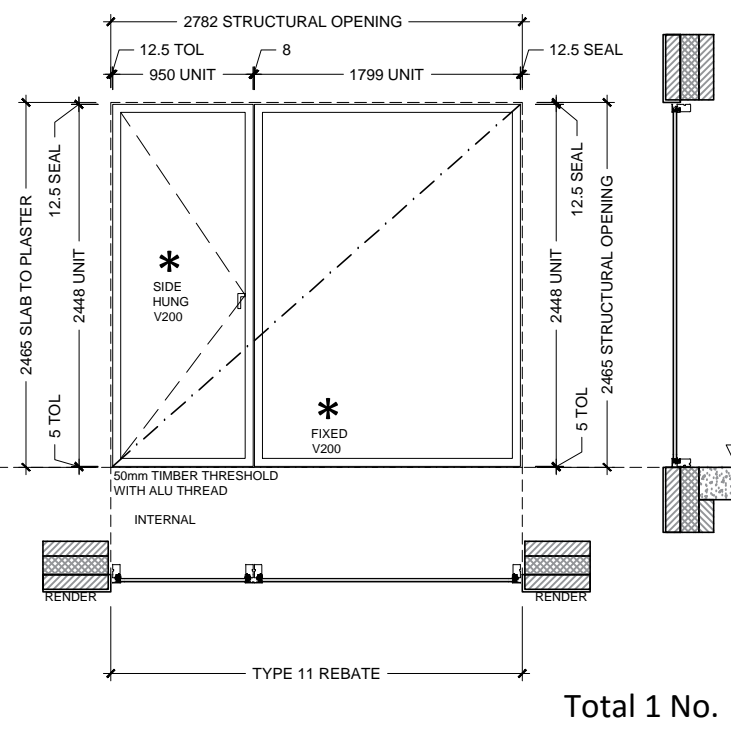
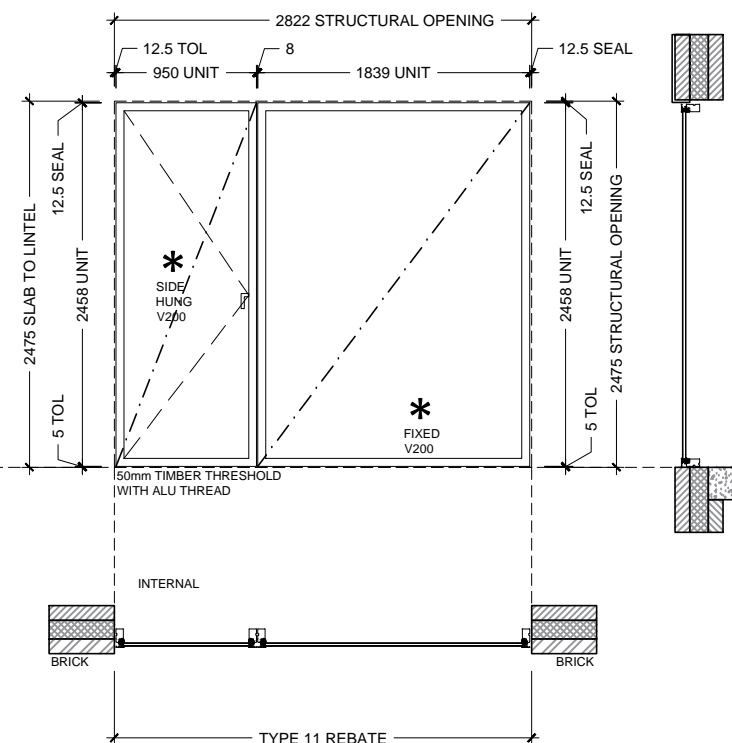
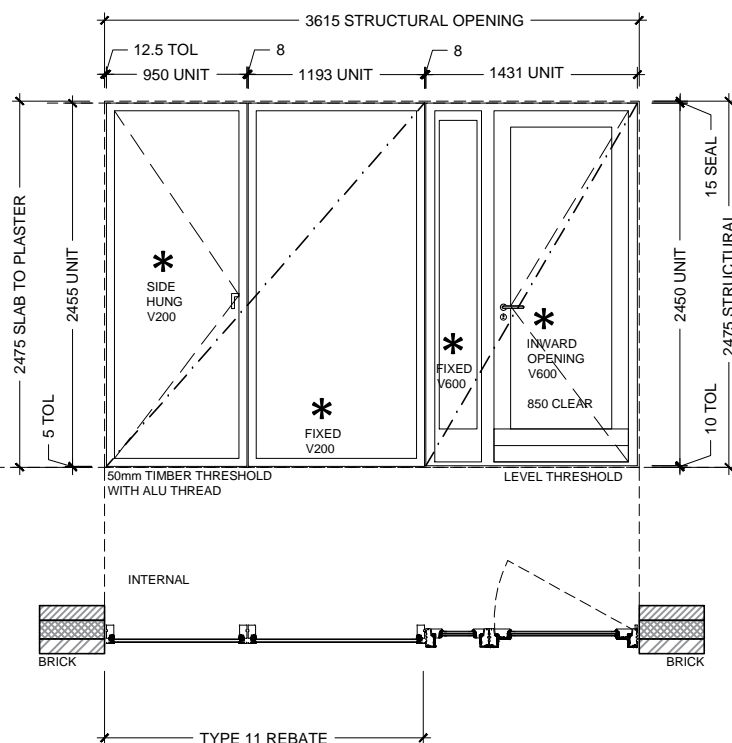
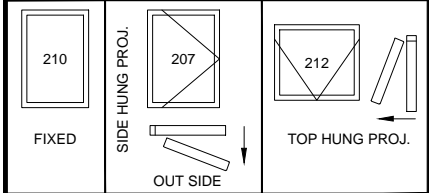
COURTYARD TOWNHOUSES TYPE 2
REV A TEROCO SCHEDULES ISSUE 19-11-2015

NOTES:
2475 SLAB TO CATNIC LINTEL FOR BRICK

NOTES:
2475 SLAB TO CATNIC LINTEL FOR BRICK

NOTES:
2465 SLAB TO PLASTER TO BE CONFIRMED

NOTE: TEROCO DRAWINGS ARE VIEWED FROM THE OUTSIDE AND USE EUROPEAN NOTATION - WITH THE POINT OF THE CHEVRON, THAT INDICATES THE OPENING LIGHTS POINTING TO THE HANDLE



Total 1 No.

Total 1 No.

Total 1 No.

LOCATIONS (TYPE 1- HOUSE TYPE 2)

HOUSE TYPE	REFERENCE	STR WIDTH	STR HEIGHT	QUANTITY
CT-155-00	(SC-00-01/W-01)	3615	2475	1
TOTAL				1

LOCATIONS (TYPE 2- HOUSE TYPE 2)

HOUSE TYPE	REFERENCE	STR WIDTH	STR HEIGHT	QUANTITY
CT-155-00	(SC-00-02/N-02)	2822	2475	1
TOTAL				1

LOCATIONS (TYPE 3- HOUSE TYPE 2)

HOUSE TYPE	REFERENCE	STR WIDTH	STR HEIGHT	QUANTITY
CT-155-00	(SC-00-03/S-03)	2782	2465	1
TOTAL				1

PROJECT SPECIFICATIONS

DESCRIPTION	TEROCO VELFAC V200 SYSTEM
GLASS TYPE	LOW E ARGON FILLED. (DG & TG - AS NOTED)
EXTERNAL RAL	RAL 7021 GLOSS 77%
INTERNAL	CLEAR LACQUER PINE FINISH
RESTRICTORS	QUICK RELEASE TO V200 OPENING SECTIONS
HANDLES	STANDARD
TRIMVENT	NONE REQUIRED
SAFETY GLASS	* BS 6206
GLAZING BEAD	LIGHT GREY GLAZING BEAD
GALSS SPACER	LIGHT GREY SPACER BAR
ORDER NO.	TBC

TO BE APPROVED

UNIT SPECIFICATION

GLASS SPEC	DOUBLE
G-VALUE	TBC
U-VALUE	TBC

PROJECT SPECIFICATIONS

DESCRIPTION	TEROCO VELFAC V200 SYSTEM
GLASS TYPE	LOW E ARGON FILLED. (DG & TG - AS NOTED)
EXTERNAL RAL	RAL 7021 GLOSS 77%
INTERNAL	CLEAR LACQUER PINE FINISH
RESTRICTORS	QUICK RELEASE TO V200 OPENING SECTIONS
HANDLES	STANDARD
TRIMVENT	NONE REQUIRED
SAFETY GLASS	* BS 6206
GLAZING BEAD	LIGHT GREY GLAZING BEAD
GALSS SPACER	LIGHT GREY SPACER BAR
ORDER NO.	TBC

TO BE APPROVED

UNIT SPECIFICATION

GLASS SPEC	TRIPLE
G-VALUE	TBC
U-VALUE	TBC

PROJECT SPECIFICATIONS

DESCRIPTION	TEROCO VELFAC V200 SYSTEM
GLASS TYPE	LOW E ARGON FILLED. (DG & TG - AS NOTED)
EXTERNAL RAL	RAL 7021 GLOSS 77%
INTERNAL	CLEAR LACQUER PINE FINISH
RESTRICTORS	QUICK RELEASE TO V200 OPENING SECTIONS
HANDLES	STANDARD
TRIMVENT	NONE REQUIRED
SAFETY GLASS	* BS 6206
GLAZING BEAD	LIGHT GREY GLAZING BEAD
GALSS SPACER	LIGHT GREY SPACER BAR
ORDER NO.	TBC

TO BE APPROVED

UNIT SPECIFICATION

GLASS SPEC	DOUBLE
G-VALUE	TBC
U-VALUE	TBC

TEROCO VELFAC ORDER 2 HOUSE TYPE 2

MANUFACTURE SCHEDULES

REV	DESCRIPTION	DATE
A	REVISED FOR MANUFACTURE	19-11-15

TEROCO CONTRACT REF QTE316
CLANCY QUAY PHASE 2.1

CONTRACTOR

 Damastown Way, Damastown Business Park, Co. Dublin
 Ph: 01 822 70 08 info@gcon.ie

MAHONY PIKE
 The Chapel, Mount St Annes, Milltown, Dublin 6,
 Ph: 01 202 7400 info@mparchitects.com

DRAWING TITLE
WINDOW SCHEDULES TOWNHOUSES 3A&B

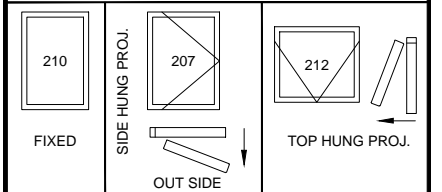
SHEET NO.	DRG NO.	REV.
S05	S-TH-2	A

DRAWN	DATE	SCALE/PLOT	CHECKED
FB	OCT 2015	1:50	BB



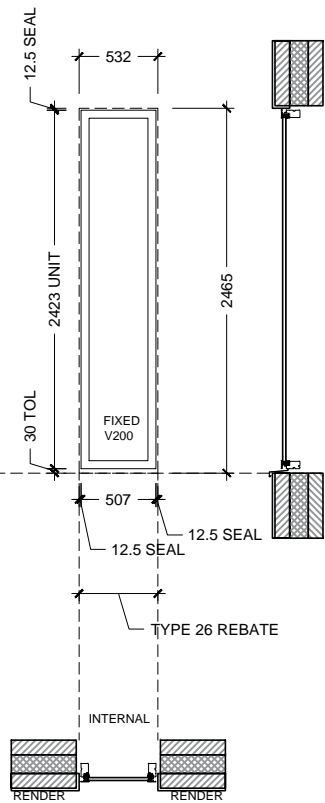
TEROCO Windows & Doors Ltd.
 Unit 1b, Riverview Business Park,
 Nangor Road, Dublin 12
 T : 01 450 7886
 W : www.teroco.ie

NOTE: TEROCO DRAWINGS ARE VIEWED FROM THE OUTSIDE AND USE EUROPEAN NOTATION - WITH THE POINT OF THE CHEVRON, THAT INDICATES THE OPENING LIGHTS POINTING TO THE HANDLE

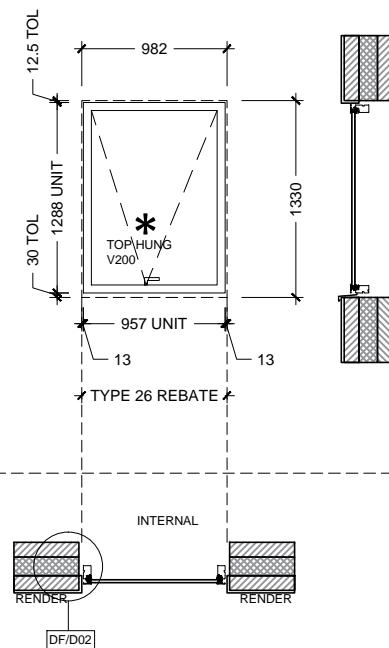


TEROCO VELFAC ORDER 2 HOUSE TYPE 2

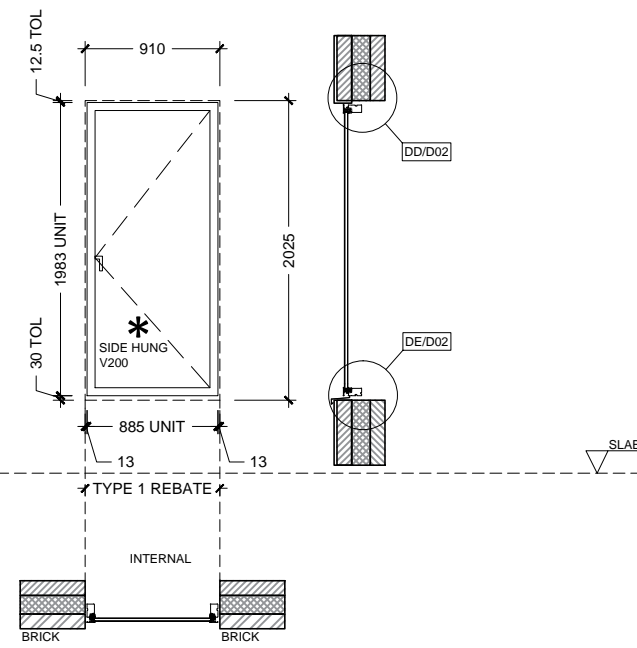
MANUFACTURE SCHEDULES



Total 1 No.



Total 1 No.



Total 1 No.

LOCATIONS (TYPE 4- HOUSE TYPE 2)

HOUSE TYPE	REFERENCE	STR WIDTH	STR HEIGHT	QUANTITY
CT-155-00	(W-00-01/S-04)	532	2465	1
TOTAL				1

PROJECT SPECIFICATIONS

DESCRIPTION	TEROCO VELFAC V200 SYSTEM
GLASS TYPE	LOW E ARGON FILLED. (DG & TG - AS NOTED)
EXTERNAL RAL	RAL 7021 GLOSS 77%
INTERNAL	CLEAR LACQUER PINE FINISH
RESTRICTORS	QUICK RELEASE TO V200 OPENING SECTIONS
HANDLES	STANDARD
TRIMVENT	NONE REQUIRED
SAFETY GLASS	* BS 6206
GLAZING BEAD	LIGHT GREY GLAZING BEAD
GALSS SPACER	LIGHT GREY SPACER BAR
ORDER NO.	TBC

UNIT SPECIFICATION

GLASS SPEC	DOUBLE
G-VALUE	TBC
U-VALUE	TBC

TO BE APPROVED

LOCATIONS (TYPE 5- HOUSE TYPE 2)

HOUSE TYPE	REFERENCE	STR WIDTH	STR HEIGHT	QUANTITY
CT-155-00	(W-00-02/S-05)	982	1330	1
TOTAL				1

PROJECT SPECIFICATIONS

DESCRIPTION	TEROCO VELFAC V200 SYSTEM
GLASS TYPE	LOW E ARGON FILLED. (DG & TG - AS NOTED)
EXTERNAL RAL	RAL 7021 GLOSS 77%
INTERNAL	CLEAR LACQUER PINE FINISH
RESTRICTORS	QUICK RELEASE TO V200 OPENING SECTIONS
HANDLES	STANDARD
TRIMVENT	NONE REQUIRED
SAFETY GLASS	* BS 6206
GLAZING BEAD	LIGHT GREY GLAZING BEAD
GALSS SPACER	LIGHT GREY SPACER BAR
ORDER NO.	TBC

UNIT SPECIFICATION

GLASS SPEC	DOUBLE
G-VALUE	TBC
U-VALUE	TBC

TO BE APPROVED

LOCATIONS (TYPE 6- HOUSE TYPE 2)

HOUSE TYPE	REFERENCE	STR WIDTH	STR HEIGHT	QUANTITY
CT-155-00	(ED-01-01/N-06)	910	2025	1
TOTAL				1

PROJECT SPECIFICATIONS

DESCRIPTION	TEROCO VELFAC V200 SYSTEM
GLASS TYPE	LOW E ARGON FILLED. (DG & TG - AS NOTED)
EXTERNAL RAL	RAL 7021 GLOSS 77%
INTERNAL	CLEAR LACQUER PINE FINISH
RESTRICTORS	QUICK RELEASE TO V200 OPENING SECTIONS
HANDLES	STANDARD
TRIMVENT	NONE REQUIRED
SAFETY GLASS	* BS 6206
GLAZING BEAD	LIGHT GREY GLAZING BEAD
GALSS SPACER	LIGHT GREY SPACER BAR
ORDER NO.	TBC

UNIT SPECIFICATION

GLASS SPEC	TRIPLE
G-VALUE	TBC
U-VALUE	TBC

TO BE APPROVED

REV	DESCRIPTION	DATE
A	REVISED FOR MANUFACTURE	19-11-15

TEROCO CONTRACT REF QTE316
CLANCY QUAY PHASE 2.1

CONTRACTOR

 Damastown Way,
 Damastown Business Park,
 Co. Dublin
 Ph: 01 822 70 08
 info@gcon.ie

MAHONY PIKE
 The Chapel,
 Mount St Annes,
 Milltown,
 Dublin 6,
 Ph: 01 202 7400
 info@omparchitects.com

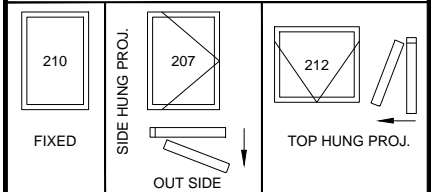
DRAWING TITLE
WINDOW SCHEDULES TOWNHOUSES 3A&B

SHEET NO. S06	DRG NO. S-TH-2	REV. A
DRAWN FB	DATE OCT 2015	SCALE/PLOT 1:50
CHECKED BB		



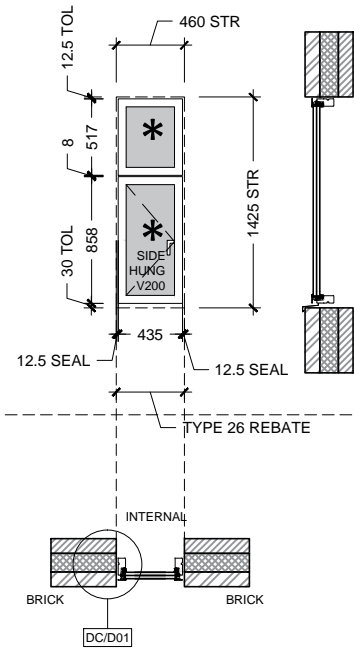
TEROCO Windows & Doors Ltd.
 Unit 1b, Riverview Business Park,
 Nangor Road, Dublin 12
 T : 01 450 7886
 W : www.teroco.ie

NOTE: TEROCO DRAWINGS ARE VIEWED FROM THE OUTSIDE AND USE EUROPEAN NOTATION - WITH THE POINT OF THE CHEVRON, THAT INDICATES THE OPENING LIGHTS POINTING TO THE HANDLE

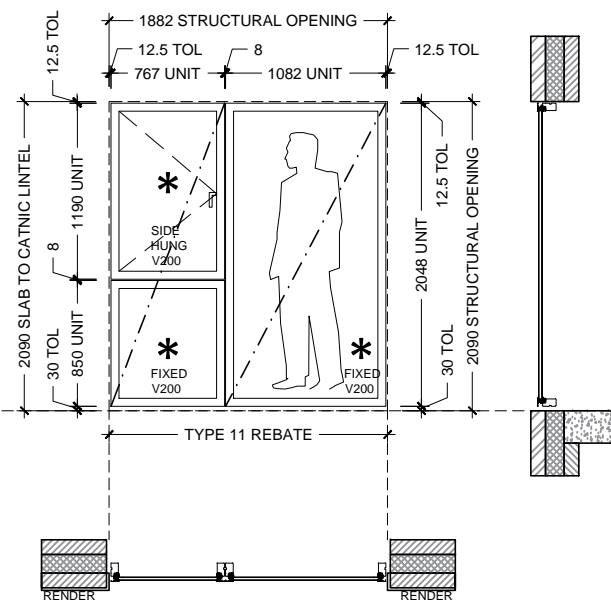


TEROCO VELFAC ORDER 2 HOUSE TYPE 2

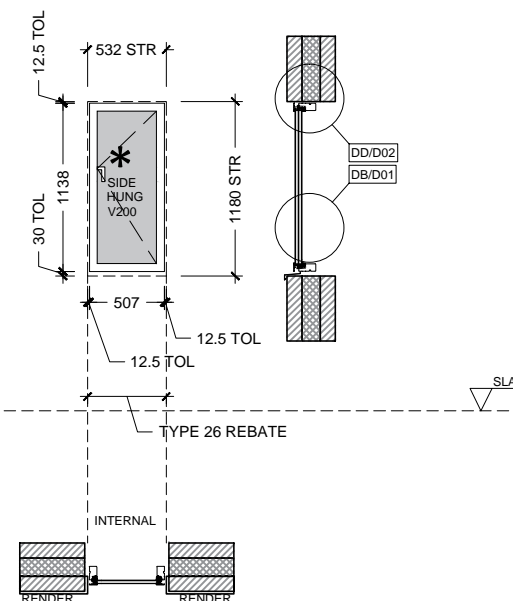
MANUFACTURE SCHEDULES



Total 1 No.



Total 2 No.



Total 1 No.

NOTES:
CONFIRM THRESHOLD & REBATE DETAIL

TBC

LOCATIONS (TYPE 7- HOUSE TYPE 2)

HOUSE TYPE	REFERENCE	STR WIDTH	STR HEIGHT	QUANTITY
CT-155-00	(W-01-01/N-07)	460	1425	1
TOTAL				1

PROJECT SPECIFICATIONS

DESCRIPTION	TEROCO VELFAC V200 SYSTEM
GLASS TYPE	LOW E ARGON FILLED. (DG & TG - AS NOTED)
EXTERNAL RAL	RAL 7021 GLOSS 77%
INTERNAL	CLEAR LACQUER PINE FINISH
RESTRICTORS	QUICK RELEASE TO V200 OPENING SECTIONS
HANDLES	STANDARD
TRIMVENT	NONE REQUIRED
SAFETY GLASS	* BS 6206
GLAZING BEAD	LIGHT GREY GLAZING BEAD
GALSS SPACER	LIGHT GREY SPACER BAR
ORDER NO.	TBC

TO BE APPROVED

UNIT SPECIFICATION

GLASS SPEC	TRIPLE
G-VALUE	TBC
U-VALUE	TBC

LOCATIONS (TYPE 8- HOUSE TYPE 2)

HOUSE TYPE	REFERENCE	STR WIDTH	STR HEIGHT	QUANTITY
CT-155-00	(W-01-02/S-08)	1882	2090	1
CT-155-00	(W-01-04/S-08)	1882	2090	1
TOTAL				2

PROJECT SPECIFICATIONS

DESCRIPTION	TEROCO VELFAC V200 SYSTEM
GLASS TYPE	LOW E ARGON FILLED. (DG & TG - AS NOTED)
EXTERNAL RAL	RAL 7021 GLOSS 77%
INTERNAL	CLEAR LACQUER PINE FINISH
RESTRICTORS	QUICK RELEASE TO V200 OPENING SECTIONS
HANDLES	STANDARD
TRIMVENT	NONE REQUIRED
SAFETY GLASS	* BS 6206
GLAZING BEAD	LIGHT GREY GLAZING BEAD
GALSS SPACER	LIGHT GREY SPACER BAR
ORDER NO.	TBC

TO BE APPROVED

UNIT SPECIFICATION

GLASS SPEC	DOUBLE
G-VALUE	TBC
U-VALUE	TBC

LOCATIONS (TYPE 9- HOUSE TYPE 2)

HOUSE TYPE	REFERENCE	STR WIDTH	STR HEIGHT	QUANTITY
CT-155-00	(W-01-03/S-09)	532	1180	1
TOTAL				1

PROJECT SPECIFICATIONS

DESCRIPTION	TEROCO VELFAC V200 SYSTEM
GLASS TYPE	LOW E ARGON FILLED. (DG & TG - AS NOTED)
EXTERNAL RAL	RAL 7021 GLOSS 77%
INTERNAL	CLEAR LACQUER PINE FINISH
RESTRICTORS	QUICK RELEASE TO V200 OPENING SECTIONS
HANDLES	STANDARD
TRIMVENT	NONE REQUIRED
SAFETY GLASS	* BS 6206
GLAZING BEAD	LIGHT GREY GLAZING BEAD
GALSS SPACER	LIGHT GREY SPACER BAR
ORDER NO.	TBC

TO BE APPROVED

UNIT SPECIFICATION

GLASS SPEC	DOUBLE
G-VALUE	TBC
U-VALUE	TBC

REV	DESCRIPTION	DATE
A	REVISED FOR MANUFACTURE	19-11-15

TEROCO CONTRACT REF QTE316
CLANCY QUAY PHASE 2.1

CONTRACTOR

 Damastown Way,
 Damastown Business Park,
 Co. Dublin
 Ph: 01 822 70 08
 info@gcon.ie

MAHONY PIKE
 The Chapel,
 Mount St Annes,
 Milltown,
 Dublin 6,
 Ph: 01 202 7400
 info@mparchitects.com

DRAWING TITLE
 WINDOW SCHEDULES TOWNHOUSES 3A&B

SHEET NO.	DRG NO.	REV.	
S07	S-TH-2	A	
DRAWN	DATE	SCALE/PLOT	CHECKED
FB	OCT 2015	1:50	BB



TEROCO Windows & Doors Ltd.
 Unit 1b, Riverview Business Park,
 Nangor Road, Dublin 12
 T : 01 450 7886
 W : www.teroco.ie



TEROCO Windows & Doors Ltd.

Unit 1b, Riverview Business Park,
Nangor Road, Dublin 12
T : 01 450 7886
W : www.teroco.ie



Glenbeigh Construction Ltd.

Damastown Way, Damastown
Business Park, Co. Dublin
T : 01 822 70 08
W : <http://www.gcon.ie/>

● MAHONY PIKE

O'Mahony Pike Architects

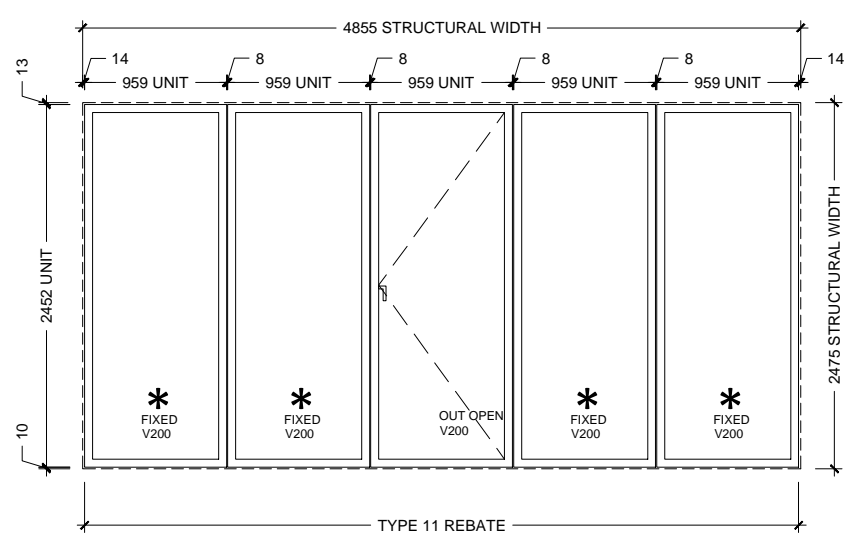
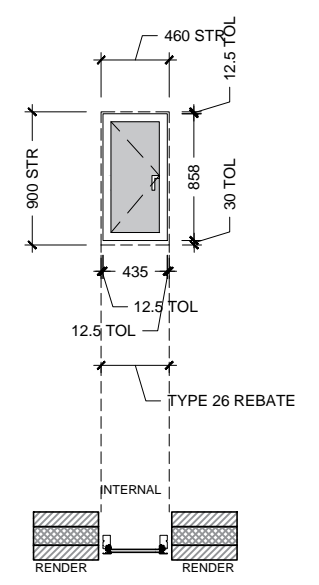
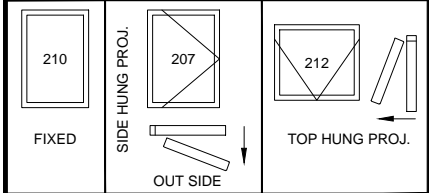
The Chapel, Mount St Annes,
Milltown, Dublin 6,
T : 01 202 7400
W : <http://omparchitects.com/>

(Q T E 3 1 6) C L A N C Y Q U A Y P H A S E 2 . 1

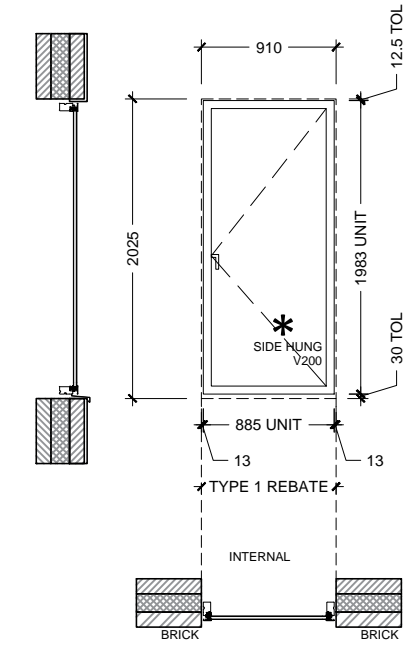
COURTYARD TOWNHOUSES TYPE 1A,B,C,D

REV A TEROCO SCHEDULES & DETAILS ISSUE 19-11-2015

NOTE: TEROCO DRAWINGS ARE VIEWED FROM THE OUTSIDE AND USE EUROPEAN NOTATION - WITH THE POINT OF THE CHEVRON, THAT INDICATES THE OPENING LIGHTS POINTING TO THE HANDLE



Total 2 No.



Total 2 No.

LOCATIONS (TYPE 4- HOUSE TYPE 1 C&D)

HOUSE TYPE	REFERENCE	STR WIDTH	STR HEIGHT	QUANTITY
CT-152-00	(W-00-03/W-04)	460	900	1
CT-154-00	(W-00-03/W-04)	460	900	1
TOTAL				2

PROJECT SPECIFICATIONS

DESCRIPTION	TEROCO VELFAC V200 SYSTEM
GLASS TYPE	LOW E ARGON FILLED. (DG & TG - AS NOTED)
EXTERNAL RAL	RAL 7021 GLOSS 77%
INTERNAL	CLEAR LACQUER PINE FINISH
RESTRICTORS	QUICK RELEASE TO V200 OPENING SECTIONS
HANDLES	STANDARD
TRIMVENT	NONE REQUIRED
SAFETY GLASS	* BS 6206
GLAZING BEAD	LIGHT GREY GLAZING BEAD
GALSS SPACER	LIGHT GREY SPACER BAR
ORDER NO.	TBC

UNIT SPECIFICATION

GLASS SPEC	DOUBLE SATIN
G-VALUE	TBC
U-VALUE	TBC

APPROVED

LOCATIONS (TYPE 5- HOUSE TYPE 1 C&D)

HOUSE TYPE	REFERENCE	STR WIDTH	STR HEIGHT	QUANTITY
CT-152-00	(SC-00-01/W-05)	4855	2475	1
CT-154-00	(SC-00-01/W-05)	4855	2475	1
TOTAL				2

PROJECT SPECIFICATIONS

DESCRIPTION	TEROCO VELFAC V200 SYSTEM
GLASS TYPE	LOW E ARGON FILLED. (DG & TG - AS NOTED)
EXTERNAL RAL	RAL 7021 GLOSS 77%
INTERNAL	CLEAR LACQUER PINE FINISH
RESTRICTORS	QUICK RELEASE TO V200 OPENING SECTIONS
HANDLES	STANDARD
TRIMVENT	NONE REQUIRED
SAFETY GLASS	* BS 6206
GLAZING BEAD	LIGHT GREY GLAZING BEAD
GALSS SPACER	LIGHT GREY SPACER BAR
ORDER NO.	TBC

UNIT SPECIFICATION

GLASS SPEC	DOUBLE
G-VALUE	TBC
U-VALUE	TBC

APPROVED

LOCATIONS (TYPE 6- HOUSE TYPE 1 C&D)

HOUSE TYPE	REFERENCE	STR WIDTH	STR HEIGHT	QUANTITY
CT-152-00	(ED-01-01/N-06)	910	2025	1
CT-154-00	(ED-01-01/N-06)	910	2025	1
TOTAL				2

PROJECT SPECIFICATIONS

DESCRIPTION	TEROCO VELFAC V200 SYSTEM
GLASS TYPE	LOW E ARGON FILLED. (DG & TG - AS NOTED)
EXTERNAL RAL	RAL 7021 GLOSS 77%
INTERNAL	CLEAR LACQUER PINE FINISH
RESTRICTORS	QUICK RELEASE TO V200 OPENING SECTIONS
HANDLES	STANDARD
TRIMVENT	NONE REQUIRED
SAFETY GLASS	* BS 6206
GLAZING BEAD	LIGHT GREY GLAZING BEAD
GALSS SPACER	LIGHT GREY SPACER BAR
ORDER NO.	TBC

UNIT SPECIFICATION

GLASS SPEC	TRIPLE
G-VALUE	TBC
U-VALUE	TBC

APPROVED

TEROCO VELFAC ORDER 3 HOUSE TYPE 1A-D

MANUFACTURE SCHEDULES

REV	DESCRIPTION	DATE
A	REVISED FOR MANUFACTURE	19-11-15

TEROCO CONTRACT REF QTE316 CLANCY QUAY PHASE 2.1

CONTRACTOR Damastown Way, Damastown Business Park, Co. Dublin Ph: 01 822 70 08 info@gcon.ie

The Chapel, Mount St Annes, Milltown, Dublin 6, Ph: 01 202 7400 info@mparchitects.com

DRAWING TITLE WINDOW SCHEDULES TOWNHOUSES 3A&B

SHEET NO.	DRG NO.	REV.
S12	S-TH-1ABCD	A

DRAWN	DATE	SCALE/PLOT	CHECKED
FB	OCT 2015	1:50	BB



TEROCO Windows & Doors Ltd. Unit 1b, Riverview Business Park, Nangor Road, Dublin 12 T : 01 450 7886 W : www.teroco.ie



TEROCO Windows & Doors Ltd.

Unit 1b, Riverview Business Park,
Nangor Road, Dublin 12
T : 01 450 7886
W : www.teroco.ie



Glenbeigh Construction Ltd.

Damastown Way, Damastown
Business Park, Co. Dublin
T : 01 822 70 08
W : <http://www.gcon.ie/>

● MAHONY PIKE

O'Mahony Pike Architects

The Chapel, Mount St Annes,
Milltown, Dublin 6,
T : 01 202 7400
W : <http://omparchitects.com/>

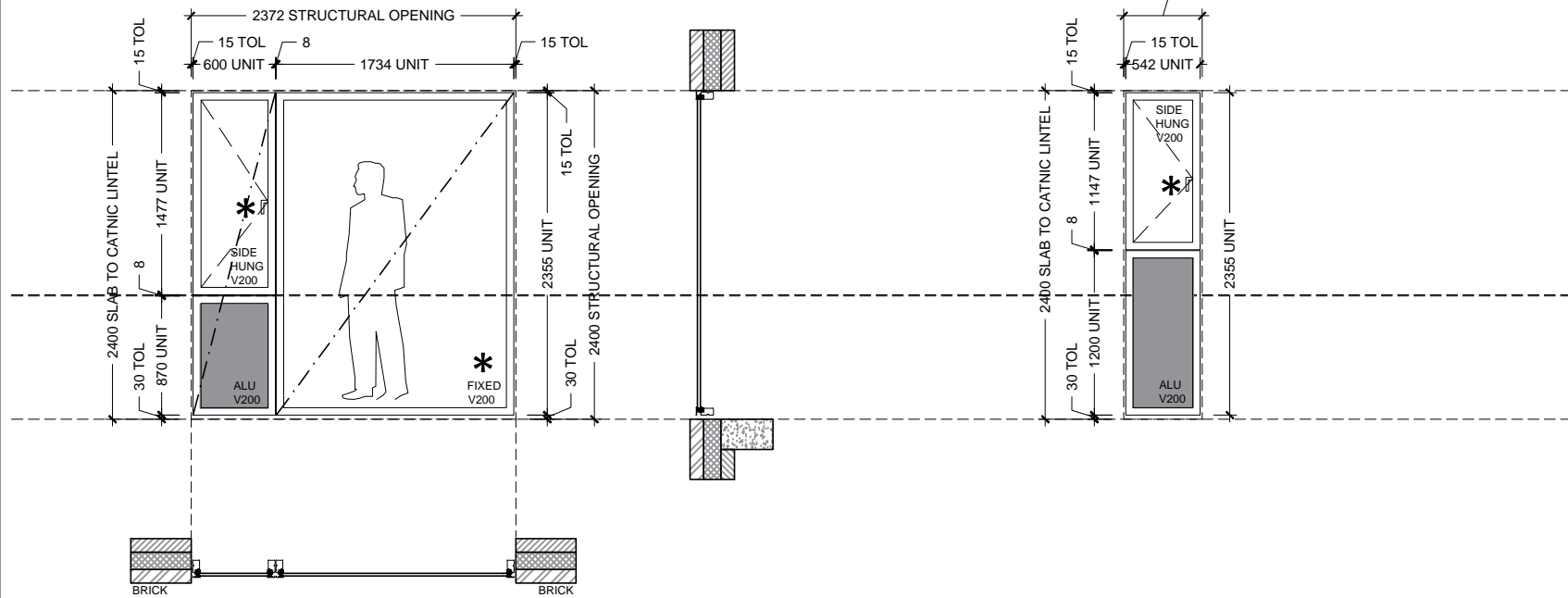
(Q T E 3 1 6) C L A N C Y Q U A Y P H A S E 2 . 1

BLOCK B9

REV C TEROCO SCHEDULES & DETAILS ISSUE 06-01-2016

WEST FACADE

NOTES:
ALU CILL WITH NO REBATE
NOTES:
2400 SLAB TO CATNIC LINTEL FOR BRICK



Type 1 W

WINDOW REF	ELEVATION	STR WIDTH	STR HEIGHT	QUANTITY
TYPE 1W	WEST	2372	2400	16

REFERENCE	QUANTITY	ORDER	REFERENCE	QUANTITY	ORDER
W-00-01	1	ORDER 1 Total 4	W-01-01	1	ORDER 2 Total 4
W-00-04	1		W-01-04	1	
W-00-21	1		W-01-22	1	
W-00-22	1		W-01-23	1	

REFERENCE	QUANTITY	ORDER	REFERENCE	QUANTITY	ORDER
W-02-01	1	ORDER 3 Total 4	W-03-01	1	ORDER 4 Total 4
W-02-04	1		W-03-04	1	
W-02-22	1		W-03-22	1	
W-02-23	1		W-03-23	1	

* External Leaf Laminated Glass,
Internal Leaf Toughened Glass.

PROJECT SPECIFICATIONS

DESCRIPTION	TEROCO VELFAC V200 SYSTEM
GLASS TYPE	LOW E ARGON FILLED. (DG & TG - AS NOTED)
EXTERNAL RAL	RAL 7021 GLOSS 77%
INTERNAL	CLEAR LACQUER PINE FINISH
RESTRICTORS	QUICK RELEASE TO V200 OPENING SECTIONS
HANDLES	STANDARD
TRIMVENT	NONE REQUIRED
SAFETY GLASS	* BS 6206
GLAZING BEAD	LIGHT GREY GLAZING BEAD
GALSS SPACER	LIGHT GREY SPACER BAR
ORDER NO.	TBC

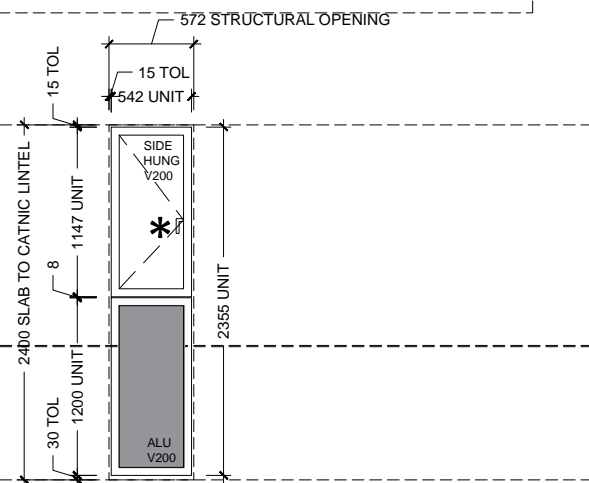
UNIT SPECIFICATION

GLASS SPEC	DOUBLE GLAZED
G-VALUE	TBC
U-VALUE	TBC

APPROVED

WEST FACADE

NOTES:
ALU CILL WITH NO REBATE
NOTES:
2400 SLAB TO CATNIC LINTEL FOR BRICK



Type 2 W

WINDOW REF	ELEVATION	STR WIDTH	STR HEIGHT	QUANTITY
TYPE 2W	WEST	572	2400	12

REFERENCE	QUANTITY	ORDER	REFERENCE	QUANTITY	ORDER
W-00-02	1	ORDER 1 Total 3	W-01-02	1	ORDER 2 Total 3
W-00-03	1		W-01-03	1	
W-00-20	1		W-01-21	1	

REFERENCE	QUANTITY	ORDER	REFERENCE	QUANTITY	ORDER
W-02-02	1	ORDER 3 Total 3	W-03-02	1	ORDER 4 Total 3
W-02-03	1		W-03-03	1	
W-02-21	1		W-03-21	1	

* External Leaf Laminated Glass,
Internal Leaf Toughened Glass.

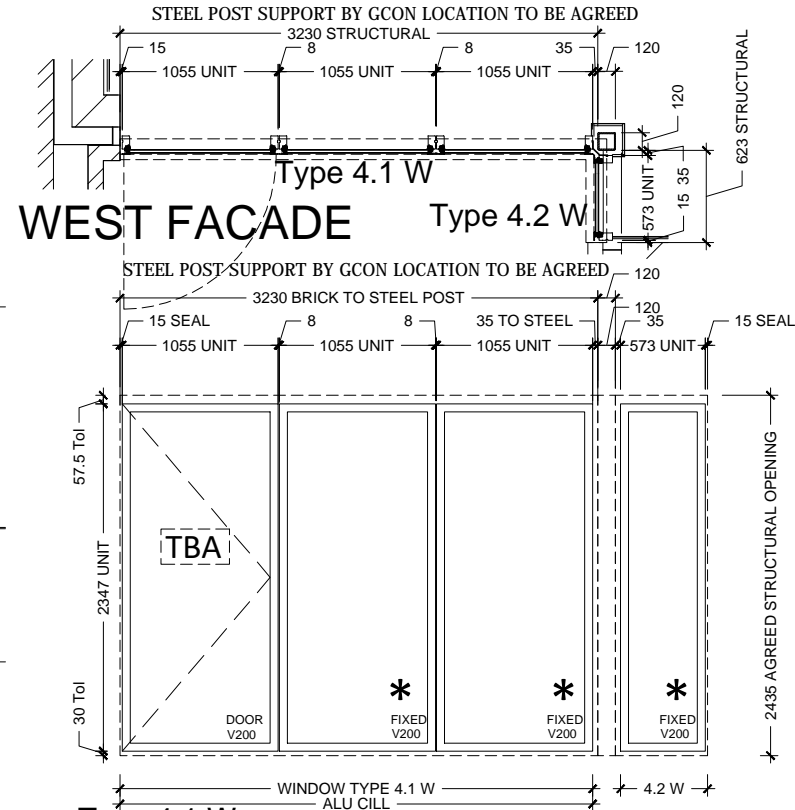
PROJECT SPECIFICATIONS

DESCRIPTION	TEROCO VELFAC V200 SYSTEM
GLASS TYPE	LOW E ARGON FILLED. (DG & TG - AS NOTED)
EXTERNAL RAL	RAL 7021 GLOSS 77%
INTERNAL	CLEAR LACQUER PINE FINISH
RESTRICTORS	QUICK RELEASE TO V200 OPENING SECTIONS
HANDLES	STANDARD
TRIMVENT	NONE REQUIRED
SAFETY GLASS	* BS 6206
GLAZING BEAD	LIGHT GREY GLAZING BEAD
GALSS SPACER	LIGHT GREY SPACER BAR
ORDER NO.	TBC

UNIT SPECIFICATION

GLASS SPEC	DOUBLE GLAZED
G-VALUE	TBC
U-VALUE	TBC

APPROVED



Type 4.1 W

WINDOW REF	ELEVATION	STR WIDTH	STR HEIGHT	QUANTITY
TYPE 4W	WEST	3230	2435	4

Type 4.2 W

WINDOW REF	ELEVATION	STR WIDTH	STR HEIGHT	QUANTITY
TYPE 4W	WEST	623	2435	4

REFERENCE	QUANTITY	ORDER	REFERENCE	QUANTITY	ORDER
SC-00-07	1	ORDER 1 Total 1	SC-01-06	1	ORDER 2 Total 1

REFERENCE	QUANTITY	ORDER	REFERENCE	QUANTITY	ORDER
SC-02-06	1	ORDER 3 Total 1	SC-03-06	1	ORDER 4 Total 1

* External Leaf Laminated Glass,
Internal Leaf Toughened Glass.

PROJECT SPECIFICATIONS

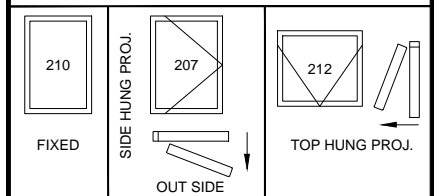
DESCRIPTION	TEROCO VELFAC V200 SYSTEM
GLASS TYPE	LOW E ARGON FILLED. (DG & TG - AS NOTED)
EXTERNAL RAL	RAL 7021 GLOSS 77%
INTERNAL	CLEAR LACQUER PINE FINISH
RESTRICTORS	QUICK RELEASE TO V200 OPENING SECTIONS
HANDLES	STANDARD
TRIMVENT	NONE REQUIRED
SAFETY GLASS	* BS 6206
GLAZING BEAD	LIGHT GREY GLAZING BEAD
GALSS SPACER	LIGHT GREY SPACER BAR
ORDER NO.	TBC

UNIT SPECIFICATION

GLASS SPEC	DOUBLE GLAZED
G-VALUE	TBC
U-VALUE	TBC

APPROVED

NOTE: TEROCO DRAWINGS ARE VIEWED FROM THE OUTSIDE AND USE EUROPEAN NOTATION - WITH THE POINT OF THE CHEVRON, THAT INDICATES THE OPENING LIGHTS POINTING TO THE HANDLE



TEROCO
VELFAC
ORDER 4, 5, 6 & 7
BLOCK B9

REV-C
SCHEDULES
ISSUED
06-01-2016

REV	DESCRIPTION	DATE
C	REVISED FOR MANUFACTURE	05-01-16
B	REVISED FROM ARCHITECTS COMMENTS	08-12-15
A	ISSUED SCHEDULES	19-11-15

TEROCO CONTRACT REF QTE316
CLANCY QUAY PHASE 2.1

CONTRACTOR
GLENBEIGH Construction
Damastown Way,
Damastown
Business Park,
Co. Dublin
Ph: 01 822 70 08
info@gcon.ie

MAHONY PIKE
The Chapel,
Mount St Annes,
Milltown,
Dublin 6,
Ph: 01 202 7400
info@omparchitects.com

DRAWING TITLE
WINDOW SCHEDULES BLOCK B9

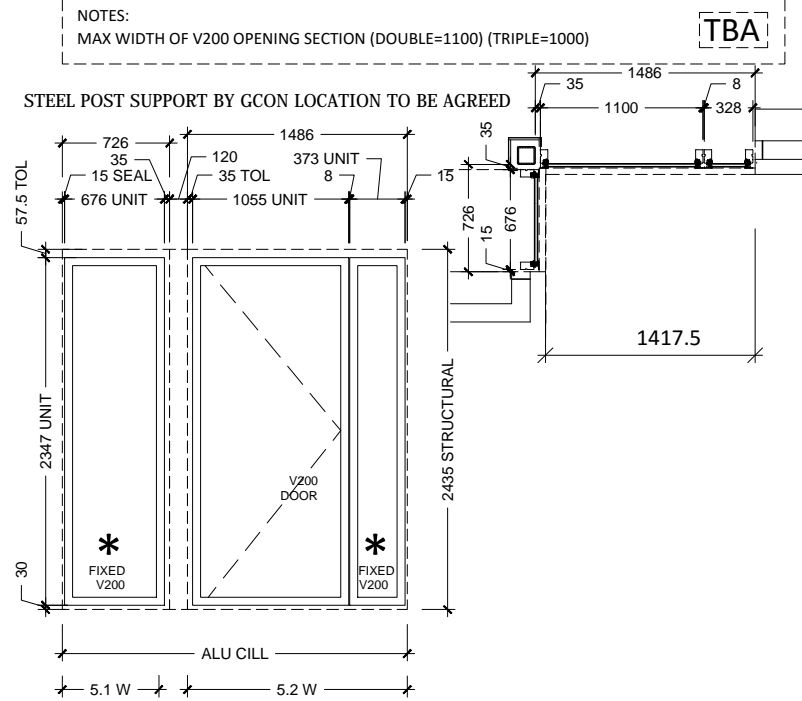
SHEET NO.	DRG NO.	REV.
S14	S-BLK-B9	C

DRAWN	DATE	SCALE/PLOT	CHECKED
FB	NOV 2015	1:50	BB



TEROCO Windows & Doors Ltd.
Unit 1b, Riverview Business Park,
Nangor Road, Dublin 12
T : 01 450 7886
W : www.teroco.ie

WEST FACADE



Type 5.1 W

WINDOW REF	ELEVATION	STR WIDTH	STR HEIGHT	QUANTITY
TYPE 5W	WEST	726	2435	4

Type 5.2 W

WINDOW REF	ELEVATION	STR WIDTH	STR HEIGHT	QUANTITY
TYPE 5W	WEST	1486	2435	4

REFERENCE	QUANTITY	ORDER 1	ORDER 2
SC-00-01	1	Total 1 OF EACH	Total 1 OF EACH

REFERENCE	QUANTITY	ORDER 3	ORDER 4
SC-02-01	1	Total 1 OF EACH	Total 1 OF EACH

* External Leaf Laminate Glass,
Internal Leaf Toughened Glass.

PROJECT SPECIFICATIONS

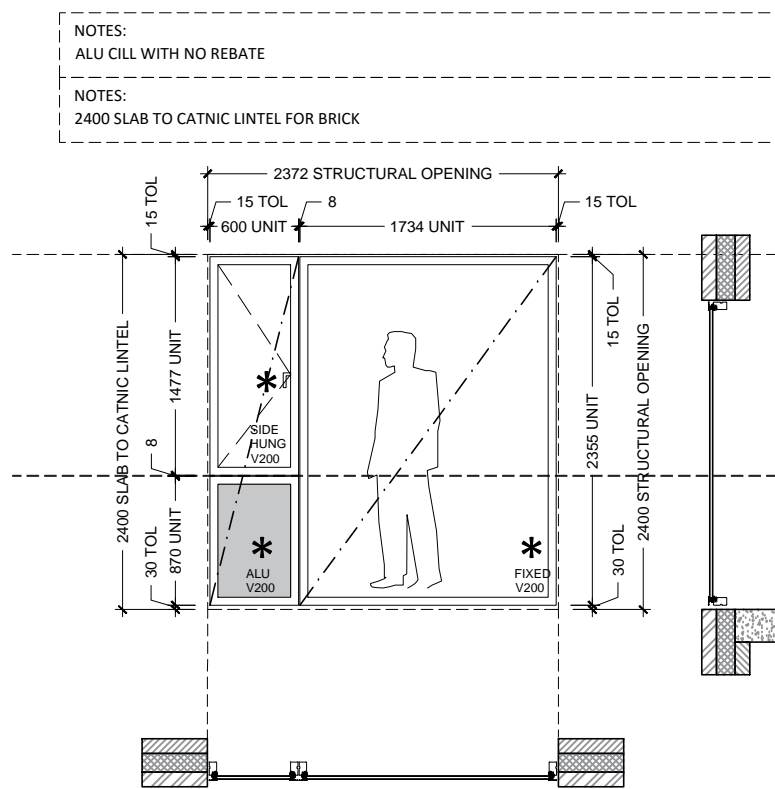
DESCRIPTION	TEROCO VELFAC V200 SYSTEM
GLASS TYPE	LOW E ARGON FILLED. (DG & TG - AS NOTED)
EXTERNAL RAL	RAL 7021 GLOSS 77%
INTERNAL	CLEAR LACQUER PINE FINISH
RESTRICTORS	QUICK RELEASE TO V200 OPENING SECTIONS
HANDLES	STANDARD
TRIMVENT	NONE REQUIRED
SAFETY GLASS	* BS 6206
GLAZING BEAD	LIGHT GREY GLAZING BEAD
GALSS SPACER	LIGHT GREY SPACER BAR
ORDER NO.	TBC

UNIT SPECIFICATION

GLASS SPEC	DOUBLE GLAZED
G-VALUE	TBC
U-VALUE	TBC

APPROVED

EAST FACADE



Type 1 E

WINDOW REF	ELEVATION	STR WIDTH	STR HEIGHT	QUANTITY
TYPE 1E	EAST	2372	2400	14

REFERENCE	QUANTITY	ORDER 1	ORDER 2
W-00-13	1	Total 2	Total 4
W-00-15	1		

REFERENCE	QUANTITY	ORDER 3	ORDER 4
W-02-13	1	Total 4	Total 4
W-02-14	1		

* External Leaf Laminate Glass,
Internal Leaf Toughened Glass.

PROJECT SPECIFICATIONS

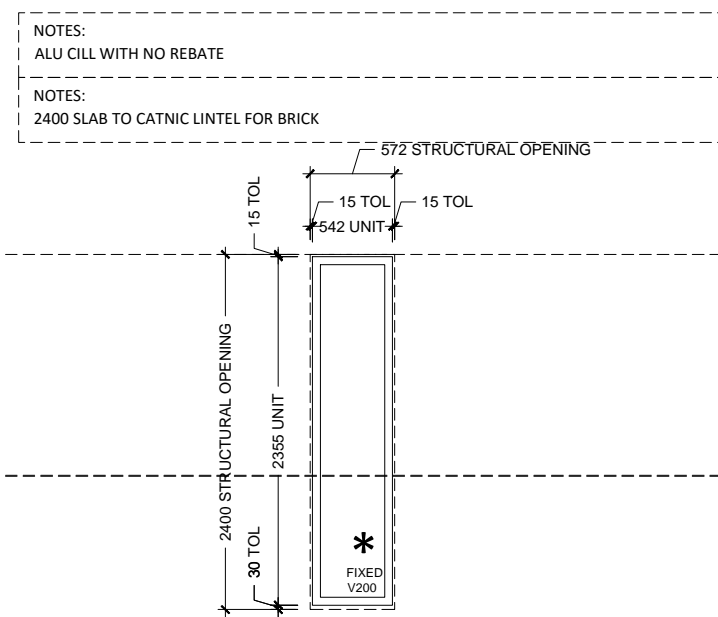
DESCRIPTION	TEROCO VELFAC V200 SYSTEM
GLASS TYPE	LOW E ARGON FILLED. (DG & TG - AS NOTED)
EXTERNAL RAL	RAL 7021 GLOSS 77%
INTERNAL	CLEAR LACQUER PINE FINISH
RESTRICTORS	QUICK RELEASE TO V200 OPENING SECTIONS
HANDLES	STANDARD
TRIMVENT	NONE REQUIRED
SAFETY GLASS	* BS 6206
GLAZING BEAD	LIGHT GREY GLAZING BEAD
GALSS SPACER	LIGHT GREY SPACER BAR
ORDER NO.	TBC

UNIT SPECIFICATION

GLASS SPEC	DOUBLE GLAZED
G-VALUE	TBC
U-VALUE	TBC

APPROVED

EAST FACADE



Type 2 E

WINDOW REF	ELEVATION	STR WIDTH	STR HEIGHT	QUANTITY
TYPE 2E	EAST	572	2400	8

REFERENCE	QUANTITY	ORDER 1	ORDER 2
W-00-12	1	Total 2	Total 2
W-00-16	1		

REFERENCE	QUANTITY	ORDER 3	ORDER 4
W-02-12	1	Total 2	Total 2
W-02-17	1		

* External Leaf Laminate Glass,
Internal Leaf Toughened Glass.

PROJECT SPECIFICATIONS

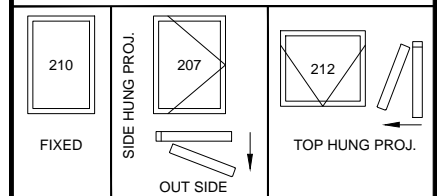
DESCRIPTION	TEROCO VELFAC V200 SYSTEM
GLASS TYPE	LOW E ARGON FILLED. (DG & TG - AS NOTED)
EXTERNAL RAL	RAL 7021 GLOSS 77%
INTERNAL	CLEAR LACQUER PINE FINISH
RESTRICTORS	QUICK RELEASE TO V200 OPENING SECTIONS
HANDLES	NA
TRIMVENT	NONE REQUIRED
SAFETY GLASS	* BS 6206
GLAZING BEAD	LIGHT GREY GLAZING BEAD
GALSS SPACER	LIGHT GREY SPACER BAR
ORDER NO.	TBC

UNIT SPECIFICATION

GLASS SPEC	DOUBLE GLAZED
G-VALUE	TBC
U-VALUE	TBC

APPROVED

NOTE: TEROCO DRAWINGS ARE VIEWED FROM THE OUTSIDE AND USE EUROPEAN NOTATION - WITH THE POINT OF THE CHEVRON, THAT INDICATES THE OPENING LIGHTS POINTING TO THE HANDLE



TEROCO VELFAC
ORDER 4, 5, 6 & 7
BLOCK B9

REV-C
SCHEDULES
ISSUED
06-01-2016

REV	DESCRIPTION	DATE
C	REVISED FOR MANUFACTURE	05-01-16
B	REVISED FROM ARCHITECTS COMMENTS	08-12-15
A	ISSUED SCHEDULES	19-11-15

TEROCO CONTRACT REF
QTE316
CLANCY QUAY PHASE 2.1

CONTRACTOR

Damastown Way,
Damastown
Business Park,
Co. Dublin
Ph: 01 822 70 08
info@gcon.ie

MAHONY PIKE

The Chapel,
Mount St Annes,
Miltown,
Dublin 6,
Ph: 01 202 7400
info@mparchitects.com

DRAWING TITLE
WINDOW SCHEDULES BLOCK B9

SHEET NO.	DRG NO.	REV.
S16	S-BLK-B9	C

DRAWN	DATE	SCALE/PLOT	CHECKED
FB	NOV 2015	1:50	BB

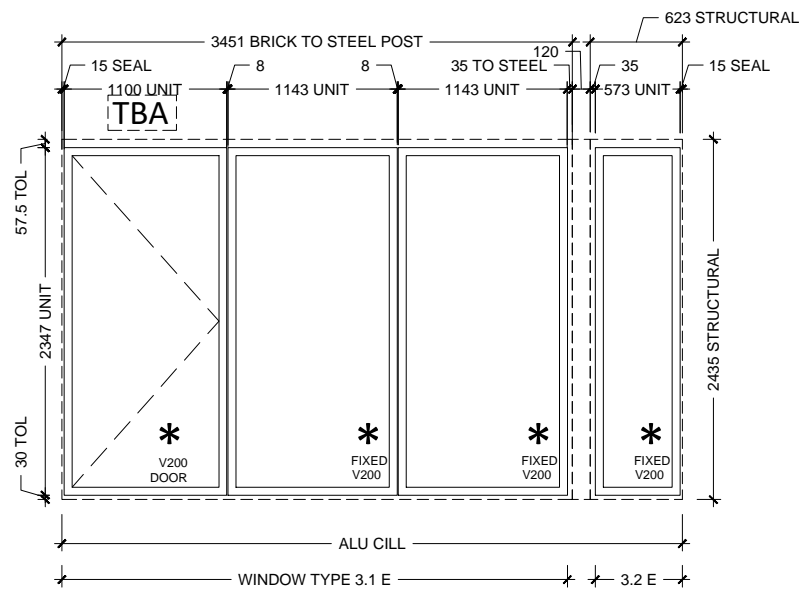


TEROCO Windows & Doors Ltd.
Unit 1b, Riverview Business Park,
Nangor Road, Dublin 12
T : 01 450 7886
W : www.teroco.ie

EAST FACADE

NOTES:
MAX WIDTH OF V200 OPENING SECTION (DOUBLE=1100) (TRIPLE=1000) **TBA**

STEEL POST SUPPORT BY GCON LOCATION TO BE AGREED



Type 3.2 E

WINDOW REF	ELEVATION	STR WIDTH	STR HEIGHT	QUANTITY
TYPE 3E	EAST	623	2435	4

Type 3.1 E

WINDOW REF	ELEVATION	STR WIDTH	STR HEIGHT	QUANTITY
TYPE 3E	EAST	3451	2435	4

REFERENCE	QUANTITY	ORDER
SC-00-04	1	ORDER 1
		Total 1
		OF EACH

REFERENCE	QUANTITY	ORDER
SC-02-04	1	ORDER 3
		Total 1
		OF EACH

* External Leaf Laminate Glass,
Internal Leaf Toughened Glass.

PROJECT SPECIFICATIONS

DESCRIPTION	TEROCO VELFAC V200 SYSTEM
GLASS TYPE	LOW E ARGON FILLED. (DG & TG - AS NOTED)
EXTERNAL RAL	RAL 7021 GLOSS 77%
INTERNAL	CLEAR LACQUER PINE FINISH
RESTRICTORS	QUICK RELEASE TO V200 OPENING SECTIONS
HANDLES	STANDARD
TRIMVENT	NONE REQUIRED
SAFETY GLASS	* BS 6206
GLAZING BEAD	LIGHT GREY GLAZING BEAD
GALSS SPACER	LIGHT GREY SPACER BAR
ORDER NO.	TBC

UNIT SPECIFICATION

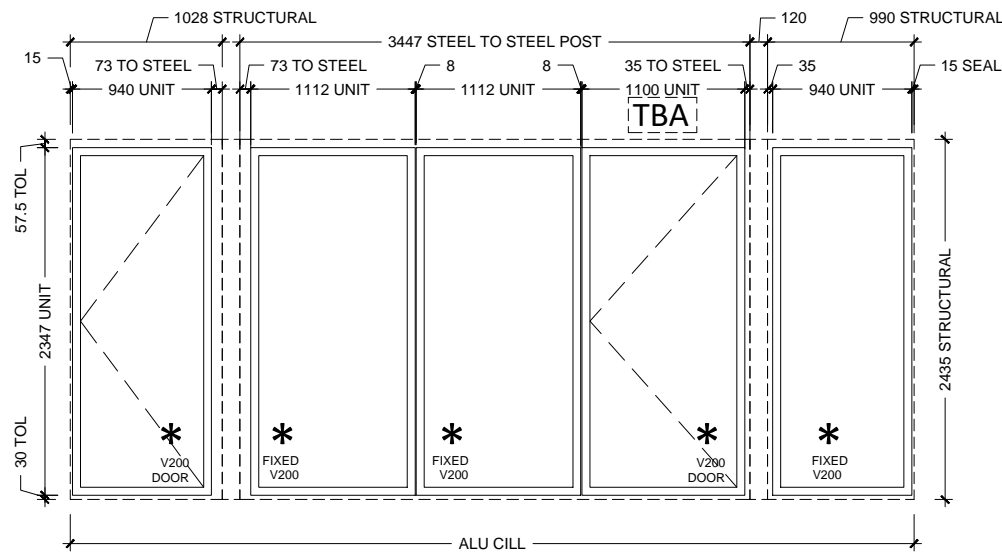
GLASS SPEC	DOUBLE GLAZED
G-VALUE	TBC
U-VALUE	TBC

APPROVED

EAST FACADE

NOTES:
MAX WIDTH OF V200 OPENING SECTION (DOUBLE=1100) (TRIPLE=1000) **TBA**

STEEL POST SUPPORT BY GCON LOCATION TO BE AGREED



Type 4.1 E

WINDOW REF	ELEVATION	STR WIDTH	STR HEIGHT	QUANTITY
TYPE 4.1E	EAST	990	2435	4

Type 4.2 E

WINDOW REF	ELEVATION	STR WIDTH	STR HEIGHT	QUANTITY
TYPE 4.2E	EAST	3409	2435	4

Type 4.3 E

WINDOW REF	ELEVATION	STR WIDTH	STR HEIGHT	QUANTITY
TYPE 4.3E	EAST	990	2435	4

REFERENCE	QUANTITY	ORDER
SC-00-06	1	ORDER 1
		Total 1
		OF EACH

REFERENCE	QUANTITY	ORDER
SC-02-05	1	ORDER 3
		Total 1
		OF EACH

* External Leaf Laminate Glass,
Internal Leaf Toughened Glass.

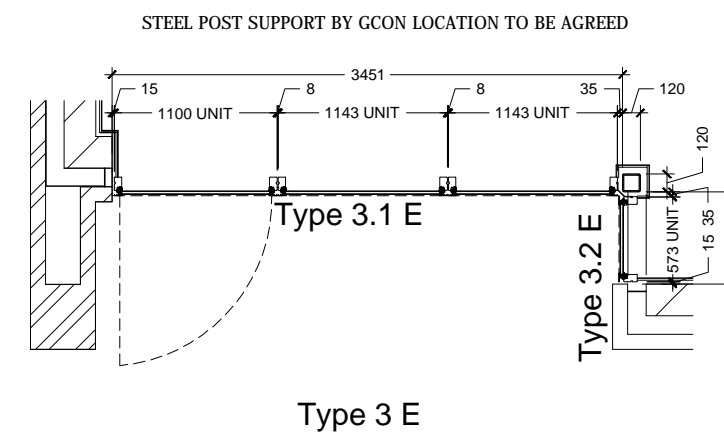
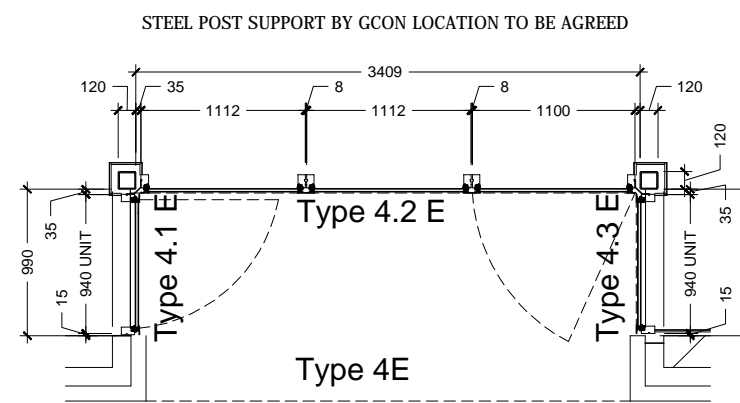
PROJECT SPECIFICATIONS

DESCRIPTION	TEROCO VELFAC V200 SYSTEM
GLASS TYPE	LOW E ARGON FILLED. (DG & TG - AS NOTED)
EXTERNAL RAL	RAL 7021 GLOSS 77%
INTERNAL	CLEAR LACQUER PINE FINISH
RESTRICTORS	QUICK RELEASE TO V200 OPENING SECTIONS
HANDLES	STANDARD
TRIMVENT	NONE REQUIRED
SAFETY GLASS	* BS 6206
GLAZING BEAD	LIGHT GREY GLAZING BEAD
GALSS SPACER	LIGHT GREY SPACER BAR
ORDER NO.	TBC

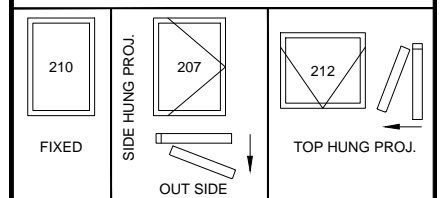
UNIT SPECIFICATION

GLASS SPEC	DOUBLE GLAZED
G-VALUE	TBC
U-VALUE	TBC

APPROVED



NOTE: TEROCO DRAWINGS ARE VIEWED FROM THE OUTSIDE AND USE EUROPEAN NOTATION - WITH THE POINT OF THE CHEVRON, THAT INDICATES THE OPENING LIGHTS POINTING TO THE HANDLE



TEROCO VELFAC
ORDER 4, 5, 6 & 7
BLOCK B9

REV-C
SCHEDULES
ISSUED
06-01-2016

REV	DESCRIPTION	DATE
C	REVISED FOR MANUFACTURE	05-01-16
B	REVISED FROM ARCHITECTS COMMENTS	08-12-15
A	ISSUED SCHEDULES	19-11-15
REV	DESCRIPTION	DATE

TEROCO CONTRACT REF
QTE316
CLANCY QUAY PHASE 2.1

CONTRACTOR
GLENBEIGH
Damastown Way,
Damastown Business Park,
Co. Dublin
Ph: 01 822 70 08
info@gcon.ie

MAHONY PIKE
The Chapel,
Mount St Annes,
Milltown,
Dublin 6,
Ph: 01 202 7400
info@mparchitects.com

DRAWING TITLE
WINDOW SCHEDULES BLOCK B9

SHEET NO.	DRG NO.	REV.
S17	S-BLK-B9	C

DRAWN	DATE	SCALE/PLOT	CHECKED
FB	NOV 2015	1:50	BB



TEROCO Windows & Doors Ltd.
Unit 1b, Riverview Business Park,
Nangor Road, Dublin 12
T : 01 450 7886
W : www.teroco.ie

EAST FACADE

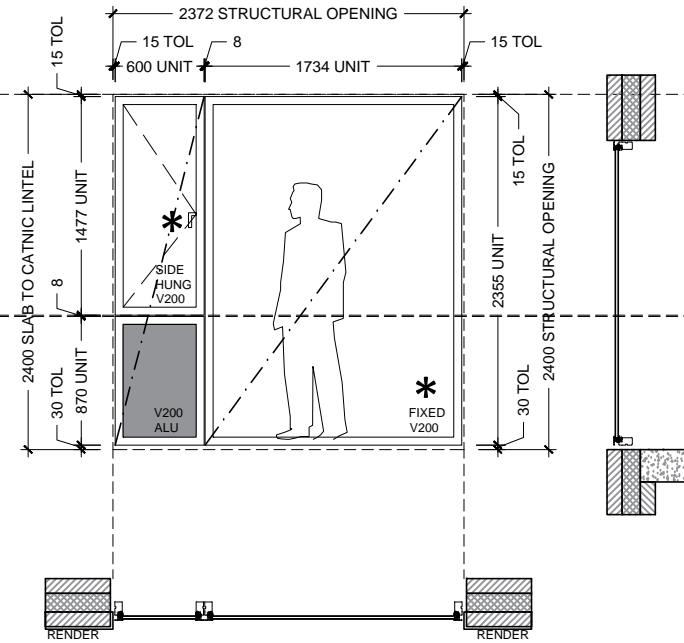
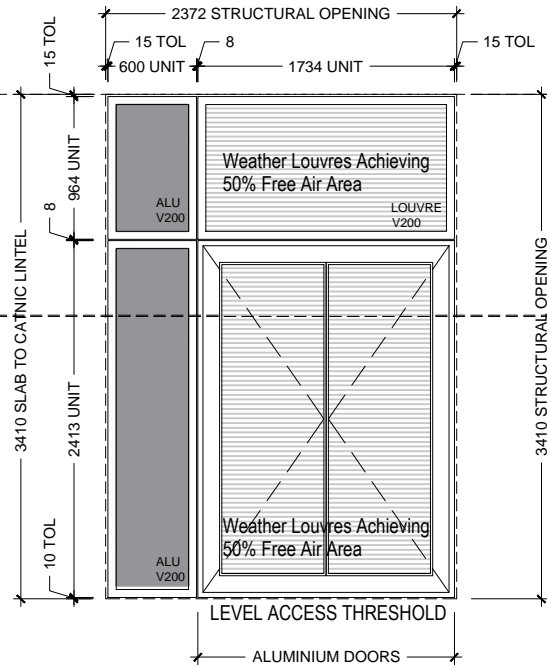
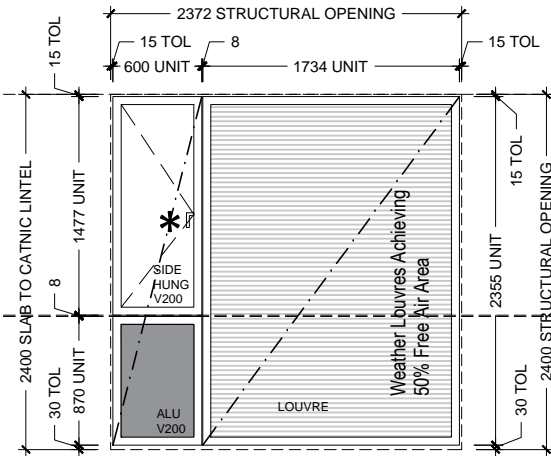
EAST FACADE

NORTH FACADE

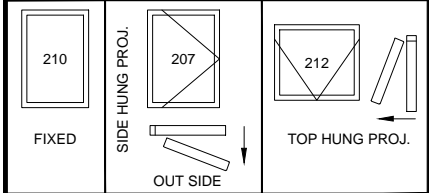
NOTES:
SINGLE LOUVRE NOT POSSIBLE IN V200 BREAKUP BELOW IS SUGGESTED

NOTES:
ALU CILL WITH NO REBATE

NOTES:
2400 SLAB TO CATNIC LINTEL FOR BRICK



NOTE: TEROCO DRAWINGS ARE VIEWED FROM THE OUTSIDE AND USE EUROPEAN NOTATION - WITH THE POINT OF THE CHEVRON, THAT INDICATES THE OPENING LIGHTS POINTING TO THE HANDLE



TEROCO VELFAC
ORDER 4, 5, 6 & 7
BLOCK B9

REV-C
SCHEDULES
ISSUED
06-01-2016

Type 5 E

WINDOW REF	ELEVATION	STR WIDTH	STR HEIGHT	QUANTITY
TYPE 5E	EAST	2372	2400	1

REFERENCE	QUANTITY	
W-00-14	1	ORDER 1 Total 1

Type 6 E

WINDOW REF	ELEVATION	STR WIDTH	STR HEIGHT	QUANTITY
TYPE 6E	EAST	2372	3410	1

REFERENCE	QUANTITY	
SC-00-05	1	ORDER 1 Total 1

Type 1 N

WINDOW REF	ELEVATION	STR WIDTH	STR HEIGHT	QUANTITY
TYPE 1N	NORTH	2372	2400	12

REFERENCE	QUANTITY		REFERENCE	QUANTITY	
W-00-23	1	ORDER 1 Total 3	W-01-26	1	ORDER 2 Total 3
W-00-24	1				
W-00-25	1				

REFERENCE	QUANTITY		REFERENCE	QUANTITY	
W-02-26	1	ORDER 3 Total 3	W-03-26	1	ORDER 4 Total 3
W-02-27	1				
W-02-28	1				

* External Leaf Laminated Glass,
Internal Leaf Toughened Glass.

PROJECT SPECIFICATIONS

DESCRIPTION	TEROCO VELFAC V200 SYSTEM
GLASS TYPE	LOW E ARGON FILLED. (DG & TG - AS NOTED)
EXTERNAL RAL	RAL 7021 GLOSS 77%
INTERNAL	CLEAR LACQUER PINE FINISH
RESTRICTORS	QUICK RELEASE TO V200 OPENING SECTIONS
HANDLES	STANDARD
TRIMVENT	NONE REQUIRED
SAFETY GLASS	* BS 6206
GLAZING BEAD	LIGHT GREY GLAZING BEAD
GALSS SPACER	LIGHT GREY SPACER BAR
ORDER NO.	TBC

UNIT SPECIFICATION

GLASS SPEC	DOUBLE GLAZED
G-VALUE	TBC
U-VALUE	TBC

TO BE APPROVED

PROJECT SPECIFICATIONS

DESCRIPTION	TEROCO VELFAC V200 SYSTEM
GLASS TYPE	LOW E ARGON FILLED. (DG & TG - AS NOTED)
EXTERNAL RAL	RAL 7021 GLOSS 77%
INTERNAL	CLEAR LACQUER PINE FINISH
RESTRICTORS	QUICK RELEASE TO V200 OPENING SECTIONS
HANDLES	STANDARD
TRIMVENT	NONE REQUIRED
SAFETY GLASS	* BS 6206
GLAZING BEAD	LIGHT GREY GLAZING BEAD
GALSS SPACER	LIGHT GREY SPACER BAR
ORDER NO.	TBC

UNIT SPECIFICATION

GLASS SPEC	NA
G-VALUE	TBC
U-VALUE	TBC

TO BE APPROVED

* External Leaf Laminated Glass,
Internal Leaf Toughened Glass.

PROJECT SPECIFICATIONS

DESCRIPTION	TEROCO VELFAC V200 SYSTEM
GLASS TYPE	LOW E ARGON FILLED. (DG & TG - AS NOTED)
EXTERNAL RAL	RAL 7021 GLOSS 77%
INTERNAL	CLEAR LACQUER PINE FINISH
RESTRICTORS	QUICK RELEASE TO V200 OPENING SECTIONS
HANDLES	STANDARD
TRIMVENT	NONE REQUIRED
SAFETY GLASS	* BS 6206
GLAZING BEAD	LIGHT GREY GLAZING BEAD
GALSS SPACER	LIGHT GREY SPACER BAR
ORDER NO.	TBC

UNIT SPECIFICATION

GLASS SPEC	TRIPLE GLAZED
G-VALUE	TBC
U-VALUE	TBC

APPROVED

C	REVISED FOR MANUFACTURE	05-01-16
B	REVISED FROM ARCHITECTS COMMENTS	08-12-15
A	ISSUED SCHEDULES	19-11-15
REV	DESCRIPTION	DATE

TEROCO CONTRACT REF
QTE316
CLANCY QUAY PHASE 2.1

CONTRACTOR

Damastown Way,
Damastown Business Park,
Co. Dublin
Ph: 01 822 70 08
info@gcon.ie

MAHONY PIKE

The Chapel,
Mount St Annes,
Milltown,
Dublin 6,
Ph: 01 202 7400
info@omparchitects.com

DRAWING TITLE
WINDOW SCHEDULES BLOCK B9

SHEET NO.	DRG NO.	REV.
S18	S-BLK-B9	C

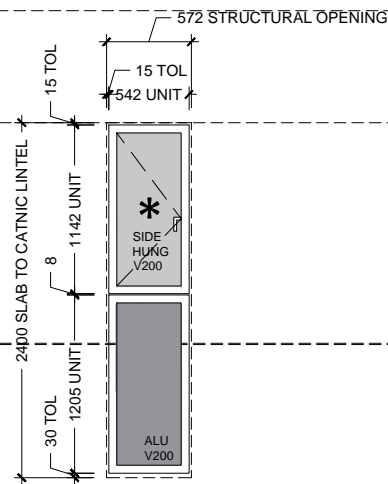
DRAWN	DATE	SCALE/PLOT	CHECKED
FB	NOV 2015	1:50	BB



TEROCO Windows & Doors Ltd.
Unit 1b, Riverview Business Park,
Nangor Road, Dublin 12
T : 01 450 7886
W : www.teroco.ie

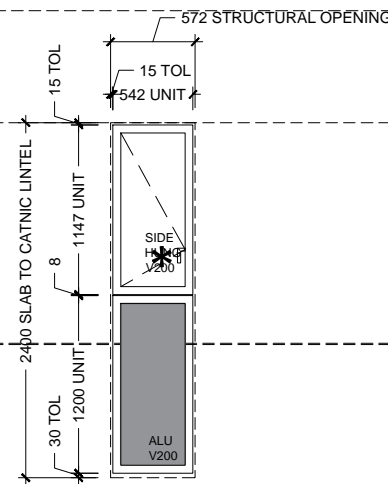
NORTH FACADE

NOTES:
ALU CILL WITH NO REBATE
NOTES:
2400 SLAB TO CATNIC LINTEL FOR BRICK



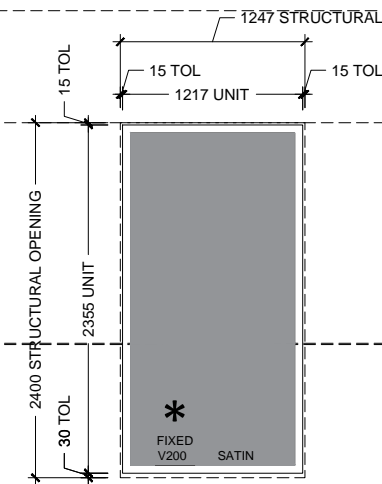
NORTH FACADE

NOTES:
ALU CILL WITH NO REBATE
NOTES:
2400 SLAB TO CATNIC LINTEL FOR BRICK

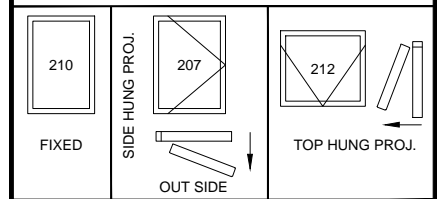


NORTH FACADE

NOTES:
ALU CILL WITH NO REBATE
NOTES:
2400 SLAB TO CATNIC LINTEL FOR BRICK



NOTE: TEROCO DRAWINGS ARE VIEWED FROM THE OUTSIDE AND USE EUROPEAN NOTATION - WITH THE POINT OF THE CHEVRON, THAT INDICATES THE OPENING LIGHTS POINTING TO THE HANDLE



TEROCO VELFAC
ORDER 4, 5, 6 & 7
BLOCK B9

REV-C
SCHEDULES
ISSUED
06-01-2016

Type 2 (i) N

WINDOW REF	ELEVATION	STR WIDTH	STR HEIGHT	QUANTITY
TYPE 2IN	NORTH	572	2400	2

REFERENCE	QUANTITY	ORDER	REFERENCE	QUANTITY	ORDER
W-00-18	1	ORDER 1 Total 1	W-01-19	1	ORDER 2 Total 1

Type 2 (ii) N

WINDOW REF	ELEVATION	STR WIDTH	STR HEIGHT	QUANTITY
TYPE 1N	NORTH	572	2400	2

REFERENCE	QUANTITY	ORDER	REFERENCE	QUANTITY	ORDER
W-02-19	1	ORDER 3 Total 1	W-03-19	1	ORDER 4 Total 1

Type 3 (i) N

WINDOW REF	ELEVATION	STR WIDTH	STR HEIGHT	QUANTITY
TYPE 3 (i) N	NORTH	1247	2400	2

REFERENCE	QUANTITY	ORDER	REFERENCE	QUANTITY	ORDER
W-00-19	1	ORDER 1 Total 1	W-01-20	1	ORDER 2 Total 1

* External Leaf Laminate Glass,
Internal Leaf Toughened Glass.

PROJECT SPECIFICATIONS

DESCRIPTION	TEROCO VELFAC V200 SYSTEM
GLASS TYPE	LOW E ARGON FILLED. (DG & TG - AS NOTED)
EXTERNAL RAL	RAL 7021 GLOSS 77%
INTERNAL	CLEAR LACQUER PINE FINISH
RESTRICTORS	QUICK RELEASE TO V200 OPENING SECTIONS
HANDLES	STANDARD
TRIMVENT	NONE REQUIRED
SAFETY GLASS	* BS 6206
GLAZING BEAD	LIGHT GREY GLAZING BEAD
GALSS SPACER	LIGHT GREY SPACER BAR
ORDER NO.	TBC

UNIT SPECIFICATION

GLASS SPEC	TRIPLE GLAZED SATIN
G-VALUE	TBC
U-VALUE	TBC

APPROVED

* External Leaf Laminate Glass,
Internal Leaf Toughened Glass.

PROJECT SPECIFICATIONS

DESCRIPTION	TEROCO VELFAC V200 SYSTEM
GLASS TYPE	LOW E ARGON FILLED. (DG & TG - AS NOTED)
EXTERNAL RAL	RAL 7021 GLOSS 77%
INTERNAL	CLEAR LACQUER PINE FINISH
RESTRICTORS	QUICK RELEASE TO V200 OPENING SECTIONS
HANDLES	STANDARD
TRIMVENT	NONE REQUIRED
SAFETY GLASS	* BS 6206
GLAZING BEAD	LIGHT GREY GLAZING BEAD
GALSS SPACER	LIGHT GREY SPACER BAR
ORDER NO.	TBC

UNIT SPECIFICATION

GLASS SPEC	TRIPLE GLAZED
G-VALUE	TBC
U-VALUE	TBC

APPROVED

* External Leaf Laminate Glass,
Internal Leaf Toughened Glass.

PROJECT SPECIFICATIONS

DESCRIPTION	TEROCO VELFAC V200 SYSTEM
GLASS TYPE	LOW E ARGON FILLED. (DG & TG - AS NOTED)
EXTERNAL RAL	RAL 7021 GLOSS 77%
INTERNAL	CLEAR LACQUER PINE FINISH
RESTRICTORS	NA
HANDLES	NA
TRIMVENT	NONE REQUIRED
SAFETY GLASS	* BS 6206
GLAZING BEAD	LIGHT GREY GLAZING BEAD
GALSS SPACER	LIGHT GREY SPACER BAR
ORDER NO.	TBC

UNIT SPECIFICATION

GLASS SPEC	TRIPLE GLAZED SATIN
G-VALUE	TBC
U-VALUE	TBC

APPROVED

REV	DESCRIPTION	DATE
C	REVISED FOR MANUFACTURE	05-01-16
B	REVISED FROM ARCHITECTS COMMENTS	08-12-15
A	ISSUED SCHEDULES	19-11-15

TEROCO CONTRACT REF
QTE316
CLANCY QUAY PHASE 2.1

CONTRACTOR

Damastown Way,
Damastown Business Park,
Co. Dublin
Ph: 01 822 70 08
info@gcon.ie

The Chapel,
Mount St Annes,
Miltown,
Dublin 6,
Ph: 01 202 7400
info@omparchitects.com

DRAWING TITLE
WINDOW SCHEDULES BLOCK B9

SHEET NO.	DRG NO.	REV.
S19	S-BLK-B9	C

DRAWN	DATE	SCALE/PLOT	CHECKED
FB	NOV 2015	1:50	BB

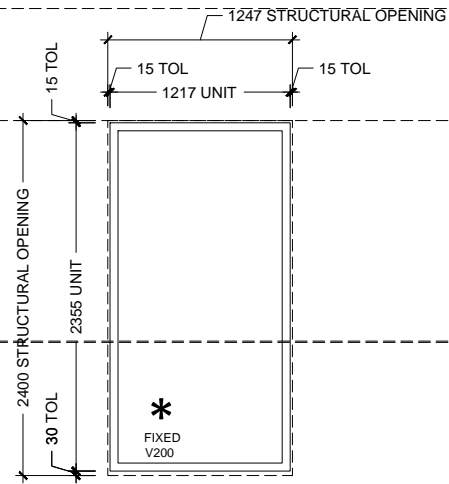


TEROCO Windows & Doors Ltd.
Unit 1b, Riverview Business Park,
Nangor Road, Dublin 12
T : 01 450 7886
W : www.teroco.ie

NORTH FACADE

NOTES:
ALU CILL WITH NO REBATE

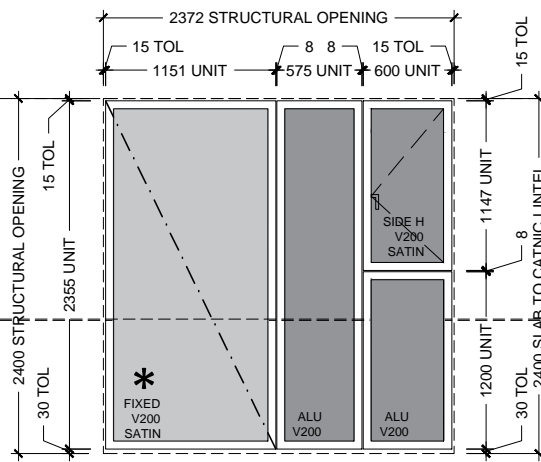
NOTES:
2400 SLAB TO CATNIC LINTEL FOR BRICK



NORTH FACADE

NOTES:
ALU CILL WITH NO REBATE

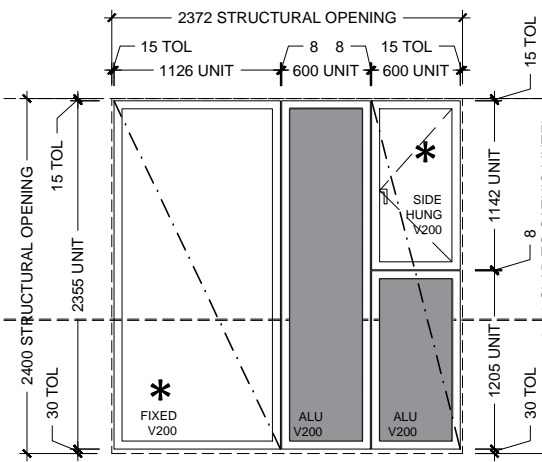
NOTES:
2400 SLAB TO CATNIC LINTEL FOR BRICK



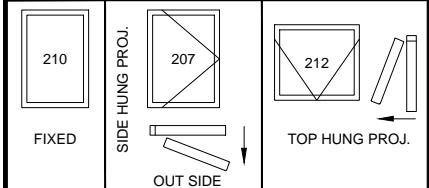
NORTH FACADE

NOTES:
ALU CILL WITH NO REBATE

NOTES:
2400 SLAB TO CATNIC LINTEL FOR BRICK



NOTE: TEROCO DRAWINGS ARE VIEWED FROM THE OUTSIDE AND USE EUROPEAN NOTATION - WITH THE POINT OF THE CHEVRON, THAT INDICATES THE OPENING LIGHTS POINTING TO THE HANDLE



TEROCO VELFAC
ORDER 4, 5, 6 & 7
BLOCK B9

REV-C
SCHEDULES
ISSUED
06-01-2016

Type 3 (ii) N

WINDOW REF	ELEVATION	STR WIDTH	STR HEIGHT	QUANTITY
TYPE 3 (ii) N	NORTH	1247	2400	2

REFERENCE	QUANTITY	ORDER 3	REFERENCE	QUANTITY	ORDER 4
W-02-20	1	Total 1	W-03-20	1	Total 1

Type 4 (i) N

WINDOW REF	ELEVATION	STR WIDTH	STR HEIGHT	QUANTITY
TYPE 4 (i) N	NORTH	2372	2400	2

REFERENCE	QUANTITY	ORDER 1	REFERENCE	QUANTITY	ORDER 2
W-00-17	1	Total 1	W-01-18	1	Total 1

Type 4 (ii) N

WINDOW REF	ELEVATION	STR WIDTH	STR HEIGHT	QUANTITY
TYPE 4 (ii) N	NORTH	2372	2400	2

REFERENCE	QUANTITY	ORDER 3	REFERENCE	QUANTITY	ORDER 4
W-02-18	1	Total 1	W-03-18	1	Total 1

* External Leaf Laminated Glass,
Internal Leaf Toughened Glass.

PROJECT SPECIFICATIONS

DESCRIPTION	TEROCO VELFAC V200 SYSTEM
GLASS TYPE	LOW E ARGON FILLED. (DG & TG - AS NOTED)
EXTERNAL RAL	RAL 7021 GLOSS 77%
INTERNAL	CLEAR LACQUER PINE FINISH
RESTRICTORS	QUICK RELEASE TO V200 OPENING SECTIONS
HANDLES	STANDARD
TRIMVENT	NONE REQUIRED
SAFETY GLASS	* BS 6206
GLAZING BEAD	LIGHT GREY GLAZING BEAD
GALSS SPACER	LIGHT GREY SPACER BAR
ORDER NO.	TBC

UNIT SPECIFICATION

GLASS SPEC	TRIPLE GLAZED
G-VALUE	TBC
U-VALUE	TBC

APPROVED

* External Leaf Laminated Glass,
Internal Leaf Toughened Glass.

PROJECT SPECIFICATIONS

DESCRIPTION	TEROCO VELFAC V200 SYSTEM
GLASS TYPE	LOW E ARGON FILLED. (DG & TG - AS NOTED)
EXTERNAL RAL	RAL 7021 GLOSS 77%
INTERNAL	CLEAR LACQUER PINE FINISH
RESTRICTORS	QUICK RELEASE TO V200 OPENING SECTIONS
HANDLES	STANDARD
TRIMVENT	NONE REQUIRED
SAFETY GLASS	* BS 6206
GLAZING BEAD	LIGHT GREY GLAZING BEAD
GALSS SPACER	LIGHT GREY SPACER BAR
ORDER NO.	TBC

UNIT SPECIFICATION

GLASS SPEC	TRIPLE GLAZED SATIN
G-VALUE	TBC
U-VALUE	TBC

APPROVED

* External Leaf Laminated Glass,
Internal Leaf Toughened Glass.

PROJECT SPECIFICATIONS

DESCRIPTION	TEROCO VELFAC V200 SYSTEM
GLASS TYPE	LOW E ARGON FILLED. (DG & TG - AS NOTED)
EXTERNAL RAL	RAL 7021 GLOSS 77%
INTERNAL	CLEAR LACQUER PINE FINISH
RESTRICTORS	QUICK RELEASE TO V200 OPENING SECTIONS
HANDLES	STANDARD
TRIMVENT	NONE REQUIRED
SAFETY GLASS	* BS 6206
GLAZING BEAD	LIGHT GREY GLAZING BEAD
GALSS SPACER	LIGHT GREY SPACER BAR
ORDER NO.	TBC

UNIT SPECIFICATION

GLASS SPEC	TRIPLE GLAZED
G-VALUE	TBC
U-VALUE	TBC

APPROVED

REV	DESCRIPTION	DATE
C	REVISED FOR MANUFACTURE	05-01-16
B	REVISED FROM ARCHITECTS COMMENTS	08-12-15
A	ISSUED SCHEDULES	19-11-15

TEROCO CONTRACT REF
QTE316
CLANCY QUAY PHASE 2.1

CONTRACTOR

Damastown Way,
Damastown Business Park,
Co. Dublin
Ph: 01 822 70 08
info@gcon.ie

The Chapel,
Mount St Annes,
Miltown,
Dublin 6,
Ph: 01 202 7400
info@omparchitects.com

DRAWING TITLE
WINDOW SCHEDULES BLOCK B9

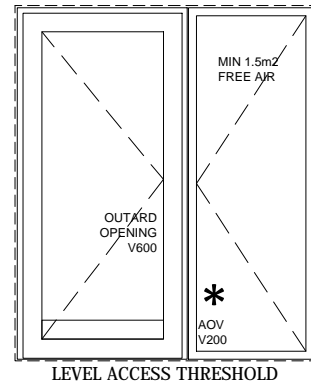
SHEET NO.	DRG NO.	REV.
S20	S-BLK-B9	C

DRAWN	DATE	SCALE/PLOT	CHECKED
FB	NOV 2015	1:50	BB



TEROCO Windows & Doors Ltd.
Unit 1b, Riverview Business Park,
Nangor Road, Dublin 12
T : 01 450 7886
W : www.teroco.ie

NORTH FACADE



Type 5 N

WINDOW REF	ELEVATION	STR WIDTH	STR HEIGHT	QUANTITY
TYPE 5 N	NORTH	2035	VARIES	1

REFERENCE	QUANTITY	ORDER 1 Total 1
SC-00-09	1	

* External Leaf Laminated Glass,
Internal Leaf Toughened Glass.

PROJECT SPECIFICATIONS

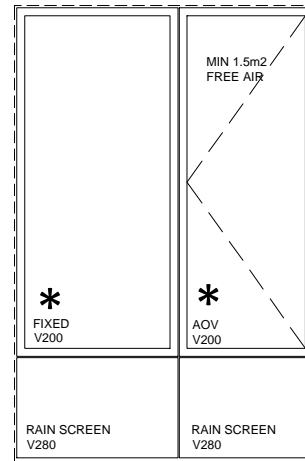
DESCRIPTION	TEROCO VELFAC V200 & V600 SYSTEM
GLASS TYPE	LOW E ARGON FILLED. (DG & TG - AS NOTED)
EXTERNAL RAL	RAL 7021 GLOSS 77%
INTERNAL	CLEAR LACQUER PINE FINISH
RESTRICTORS	WINDOW MASTER MOTOR
HANDLES	STANDARD
TRIMVENT	NONE REQUIRED
SAFETY GLASS	* BS 6206
GLAZING BEAD	LIGHT GREY GLAZING BEAD
GALSS SPACER	LIGHT GREY SPACER BAR
ORDER NO.	TBC

UNIT SPECIFICATION

GLASS SPEC	TRIPLE GLAZED
G-VALUE	TBC
U-VALUE	TBC

TO BE APPROVED

NORTH FACADE



Type 6 N

WINDOW REF	ELEVATION	STR WIDTH	STR HEIGHT	QUANTITY
TYPE 6 N	NORTH	2035	VARIES	3

REFERENCE	QUANTITY	ORDER 2 Total 1
W-01-25	1	

REFERENCE	QUANTITY	ORDER 3 Total 1
W-02-25	1	

REFERENCE	QUANTITY	ORDER 4 Total 1
W-03-25	1	

* External Leaf Laminated Glass,
Internal Leaf Toughened Glass.

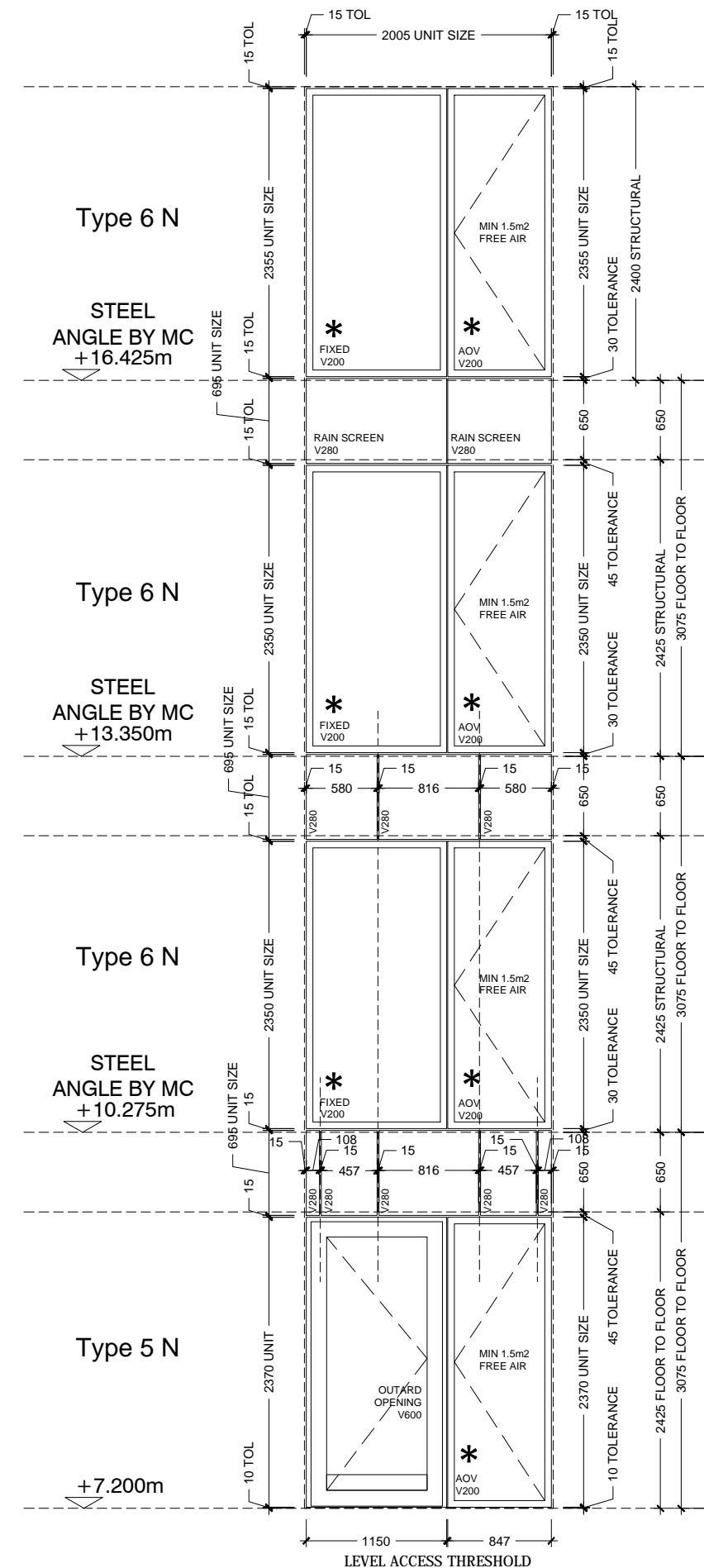
PROJECT SPECIFICATIONS

DESCRIPTION	TEROCO VELFAC V200 SYSTEM
GLASS TYPE	LOW E ARGON FILLED. (DG & TG - AS NOTED)
EXTERNAL RAL	RAL 7021 GLOSS 77%
INTERNAL	CLEAR LACQUER PINE FINISH
RESTRICTORS	WINDOW MASTER MOTOR
HANDLES	STANDARD
TRIMVENT	NONE REQUIRED
SAFETY GLASS	* BS 6206
GLAZING BEAD	LIGHT GREY GLAZING BEAD
GALSS SPACER	LIGHT GREY SPACER BAR
ORDER NO.	TBC

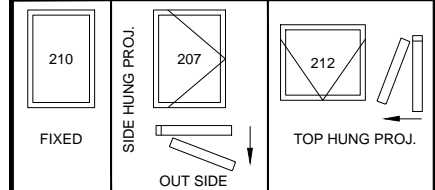
UNIT SPECIFICATION

GLASS SPEC	TRIPLE GLAZED
G-VALUE	TBC
U-VALUE	TBC

TO BE APPROVED



NOTE: TEROCO DRAWINGS ARE VIEWED FROM THE OUTSIDE AND USE EUROPEAN NOTATION - WITH THE POINT OF THE CHEVRON, THAT INDICATES THE OPENING LIGHTS POINTING TO THE HANDLE



TEROCO
VELFAC
ORDER 4, 5, 6 & 7
BLOCK B9

REV-C
SCHEDULES
ISSUED
06-01-2016

REV	DESCRIPTION	DATE
C	REVISED FOR MANUFACTURE	05-01-16
B	REVISED FROM ARCHITECTS COMMENTS	08-12-15
A	ISSUED SCHEDULES	19-11-15
REV	DESCRIPTION	DATE

TEROCO CONTRACT REF
QTE316
CLANCY QUAY PHASE 2.1

CONTRACTOR

Damastown Way,
Damastown
Business Park,
Co. Dublin
Ph: 01 822 70 08
info@gcon.ie

MAHONY PIKE

The Chapel,
Mount St Annes,
Miltown,
Dublin 6,
Ph: 01 202 7400
info@omparchitects.com

DRAWING TITLE
WINDOW SCHEDULES BLOCK B9

SHEET NO.	DRG NO.	REV.
S21	S-BLK-B9	C

DRAWN	DATE	SCALE/PLOT	CHECKED
FB	NOV 2015	1:50	BB

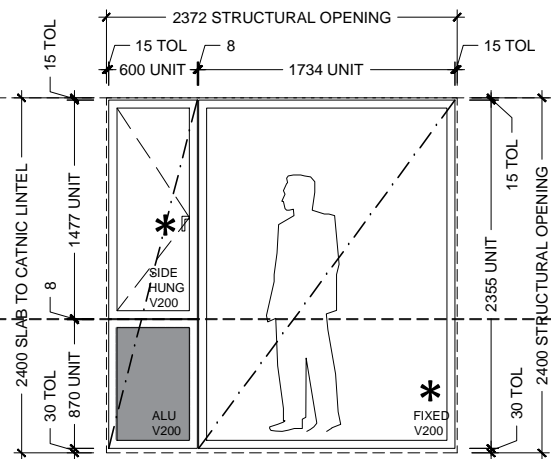


TEROCO Windows & Doors Ltd.
Unit 1b, Riverview Business Park,
Nangor Road, Dublin 12
T : 01 450 7886
W : www.teroco.ie

SOUTH FACADE

NOTES:
ALU CILL WITH NO REBATE

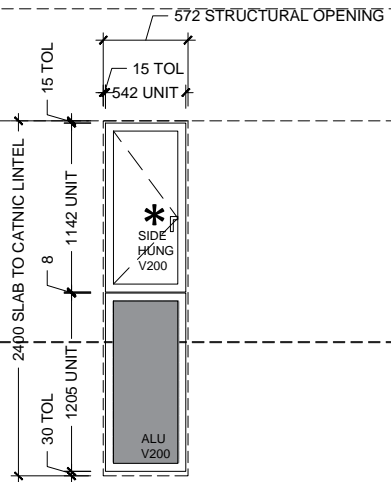
NOTES:
2400 SLAB TO CATNIC LINTEL FOR BRICK



SOUTH FACADE

NOTES:
ALU CILL WITH NO REBATE

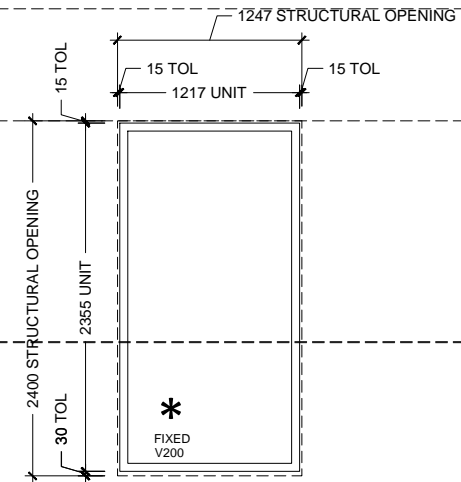
NOTES:
2400 SLAB TO CATNIC LINTEL FOR BRICK



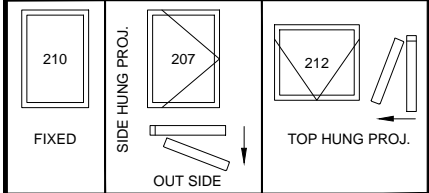
SOUTH FACADE

NOTES:
ALU CILL WITH NO REBATE

NOTES:
2400 SLAB TO CATNIC LINTEL FOR BRICK



NOTE: TEROCO DRAWINGS ARE VIEWED FROM THE OUTSIDE AND USE EUROPEAN NOTATION - WITH THE POINT OF THE CHEVRON, THAT INDICATES THE OPENING LIGHTS POINTING TO THE HANDLE



TEROCO VELFAC
ORDER 4, 5, 6 & 7
BLOCK B9

REV-C
SCHEDULES
ISSUED
06-01-2016

Type 1 S

WINDOW REF	ELEVATION	STR WIDTH	STR HEIGHT	QUANTITY
TYPE 1S	SOUTH	2372	2400	16

REFERENCE	QUANTITY	ORDER 1 Total 4	REFERENCE	QUANTITY	ORDER 2 Total 4
W-00-06	1		W-01-06	1	
W-00-08	1		W-01-08	1	
W-00-09	1		W-01-09	1	
W-00-11	1	W-01-11	1		

REFERENCE	QUANTITY	ORDER 3 Total 4	REFERENCE	QUANTITY	ORDER 4 Total 4
W-02-06	1		W-03-06	1	
W-02-08	1		W-03-08	1	
W-02-09	1		W-03-09	1	
W-02-11	1	W-03-11	1		

* External Leaf Laminate Glass,
Internal Leaf Toughened Glass.

PROJECT SPECIFICATIONS

DESCRIPTION	TEROCO VELFAC V200 SYSTEM
GLASS TYPE	LOW E ARGON FILLED. (DG & TG - AS NOTED)
EXTERNAL RAL	RAL 7021 GLOSS 77%
INTERNAL	CLEAR LACQUER PINE FINISH
RESTRICTORS	QUICK RELEASE TO V200 OPENING SECTIONS
HANDLES	STANDARD
TRIMVENT	NONE REQUIRED
SAFETY GLASS	* BS 6206
GLAZING BEAD	LIGHT GREY GLAZING BEAD
GALSS SPACER	LIGHT GREY SPACER BAR
ORDER NO.	TBC

UNIT SPECIFICATION

GLASS SPEC	DOUBLE GLAZED
G-VALUE	TBC
U-VALUE	TBC

APPROVED

Type 2 S

WINDOW REF	ELEVATION	STR WIDTH	STR HEIGHT	QUANTITY
TYPE 2S	SOUTH	572	2400	4

REFERENCE	QUANTITY	ORDER 1 Total 1	REFERENCE	QUANTITY	ORDER 2 Total 1
W-00-10	1		W-01-10	1	

REFERENCE	QUANTITY	ORDER 3 Total 1	REFERENCE	QUANTITY	ORDER 4 Total 1
W-02-10	1		W-03-10	1	

* External Leaf Laminate Glass,
Internal Leaf Toughened Glass.

PROJECT SPECIFICATIONS

DESCRIPTION	TEROCO VELFAC V200 SYSTEM
GLASS TYPE	LOW E ARGON FILLED. (DG & TG - AS NOTED)
EXTERNAL RAL	RAL 7021 GLOSS 77%
INTERNAL	CLEAR LACQUER PINE FINISH
RESTRICTORS	QUICK RELEASE TO V200 OPENING SECTIONS
HANDLES	STANDARD
TRIMVENT	NONE REQUIRED
SAFETY GLASS	* BS 6206
GLAZING BEAD	LIGHT GREY GLAZING BEAD
GALSS SPACER	LIGHT GREY SPACER BAR
ORDER NO.	TBC

UNIT SPECIFICATION

GLASS SPEC	DOUBLE GLAZED
G-VALUE	TBC
U-VALUE	TBC

APPROVED

Type 3 S

WINDOW REF	ELEVATION	STR WIDTH	STR HEIGHT	QUANTITY
TYPE 3S	SOUTH	1247	2400	4

REFERENCE	QUANTITY	ORDER 1 Total 1	REFERENCE	QUANTITY	ORDER 2 Total 1
W-00-05	1		W-01-05	1	

REFERENCE	QUANTITY	ORDER 3 Total 1	REFERENCE	QUANTITY	ORDER 4 Total 1
W-02-05	1		W-03-05	1	

* External Leaf Laminate Glass,
Internal Leaf Toughened Glass.

PROJECT SPECIFICATIONS

DESCRIPTION	TEROCO VELFAC V200 SYSTEM
GLASS TYPE	LOW E ARGON FILLED. (DG & TG - AS NOTED)
EXTERNAL RAL	RAL 7021 GLOSS 77%
INTERNAL	CLEAR LACQUER PINE FINISH
RESTRICTORS	QUICK RELEASE TO V200 OPENING SECTIONS
HANDLES	NA
TRIMVENT	NONE REQUIRED
SAFETY GLASS	* BS 6206
GLAZING BEAD	LIGHT GREY GLAZING BEAD
GALSS SPACER	LIGHT GREY SPACER BAR
ORDER NO.	TBC

UNIT SPECIFICATION

GLASS SPEC	DOUBLE GLAZED
G-VALUE	TBC
U-VALUE	TBC

APPROVED

C	REVISED FOR MANUFACTURE	05-01-16
B	REVISED FROM ARCHITECTS COMMENTS	08-12-15
A	ISSUED SCHEDULES	19-11-15
REV	DESCRIPTION	DATE

TEROCO CONTRACT REF
QTE316
CLANCY QUAY PHASE 2.1

CONTRACTOR

Damastown Way,
Damastown Business Park,
Co. Dublin
Ph: 01 822 70 08
info@gcon.ie

MAHONY PIKE

The Chapel,
Mount St Annes,
Miltown,
Dublin 6,
Ph: 01 202 7400
info@omparchitects.com

DRAWING TITLE
WINDOW SCHEDULES BLOCK B9

SHEET NO.	DRG NO.	REV.
S22	S-BLK-B9	C

DRAWN	DATE	SCALE/PLOT	CHECKED
FB	NOV 2015	1:50	BB

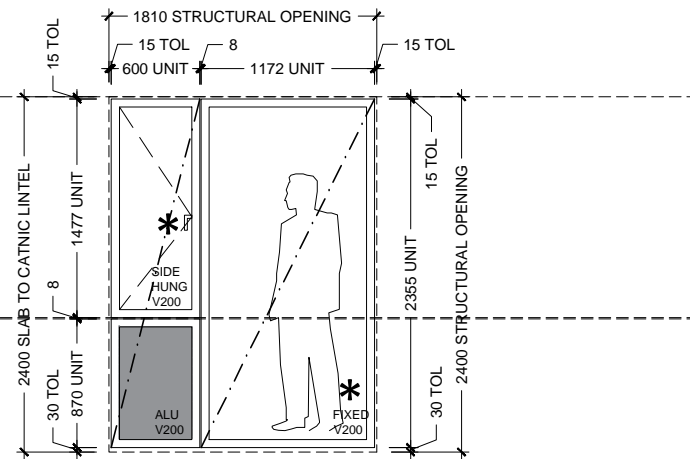


TEROCO Windows & Doors Ltd.
Unit 1b, Riverview Business Park,
Nangor Road, Dublin 12
T : 01 450 7886
W : www.teroco.ie

SOUTH FACADE

NOTES:
ALU CILL WITH NO REBATE

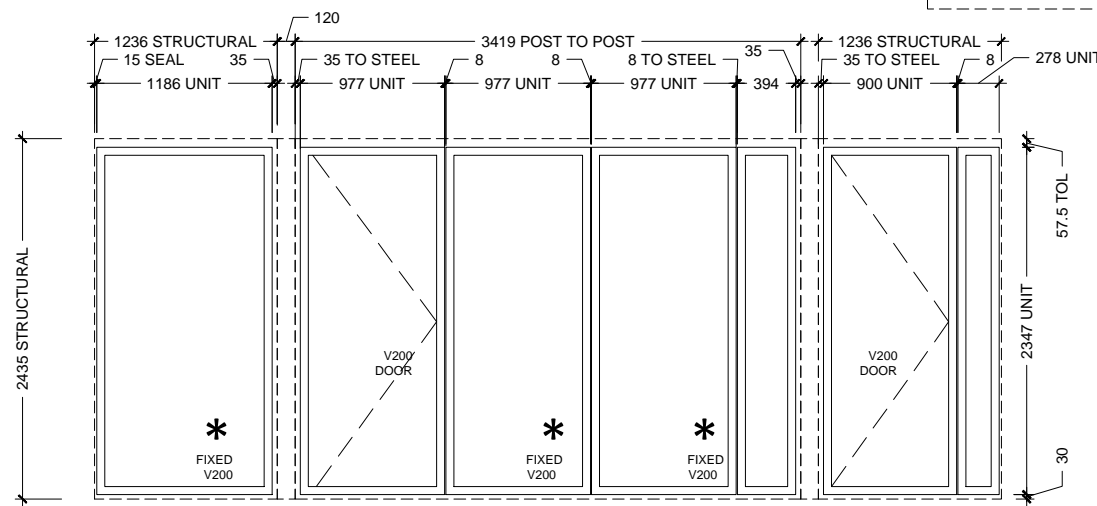
NOTES:
2400 SLAB TO CATNIC LINTEL FOR BRICK



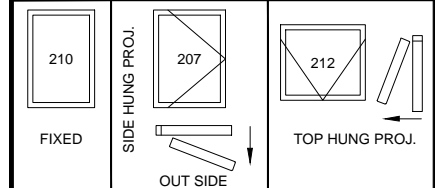
SOUTH FACADE

NOTES:
ALU CILL WITH NO REBATE

NOTES:
2435 BALCONY UPSTAND TO LINTEL



NOTE: TEROCO DRAWINGS ARE VIEWED FROM THE OUTSIDE AND USE EUROPEAN NOTATION - WITH THE POINT OF THE CHEVRON, THAT INDICATES THE OPENING LIGHTS POINTING TO THE HANDLE



TEROCO VELFAC
ORDER 4, 5, 6 & 7
BLOCK B9

REV-C
SCHEDULES
ISSUED
06-01-2016

Type 4 S

WINDOW REF	ELEVATION	STR WIDTH	STR HEIGHT	QUANTITY
TYPE 4S	SOUTH	1810	2400	4

REFERENCE	QUANTITY	ORDER	REFERENCE	QUANTITY	ORDER
W-00-07	1	ORDER 1 Total 1	W-01-07	1	ORDER 2 Total 1

REFERENCE	QUANTITY	ORDER	REFERENCE	QUANTITY	ORDER
W-02-07	1	ORDER 3 Total 1	W-03-07	1	ORDER 4 Total 1

* External Leaf Laminate Glass,
Internal Leaf Toughened Glass.

PROJECT SPECIFICATIONS

DESCRIPTION	TEROCO VELFAC V200 SYSTEM
GLASS TYPE	LOW E ARGON FILLED. (DG & TG - AS NOTED)
EXTERNAL RAL	RAL 7021 GLOSS 77%
INTERNAL	CLEAR LACQUER PINE FINISH
RESTRICTORS	QUICK RELEASE TO V200 OPENING SECTIONS
HANDLES	STANDARD
TRIMVENT	NONE REQUIRED
SAFETY GLASS	* BS 6206
GLAZING BEAD	LIGHT GREY GLAZING BEAD
GALSS SPACER	LIGHT GREY SPACER BAR
ORDER NO.	TBC

UNIT SPECIFICATION

GLASS SPEC	DOUBLE GLAZED
G-VALUE	TBC
U-VALUE	TBC

APPROVED

Type 5.1 S

WINDOW REF	ELEVATION	STR WIDTH	STR HEIGHT	QUANTITY
TYPE 5.1S	SOUTH	990	2435	4 TOTAL

Type 5.2 S

WINDOW REF	ELEVATION	STR WIDTH	STR HEIGHT	QUANTITY
TYPE 5.2S	SOUTH	3409	2435	4 TOTAL

Type 5.3 S

WINDOW REF	ELEVATION	STR WIDTH	STR HEIGHT	QUANTITY
TYPE 5.3S	SOUTH	990	2435	4 TOTAL

REFERENCE	QUANTITY	ORDER	REFERENCE	QUANTITY	ORDER
SC-00-02	1	ORDER 1 Total 1 OF EACH	SC-01-02	1	ORDER 2 Total 1 OF EACH

REFERENCE	QUANTITY	ORDER	REFERENCE	QUANTITY	ORDER
SC-02-02	1	ORDER 3 Total 1 OF EACH	SC-03-02	1	ORDER 4 Total 1 OF EACH

* External Leaf Laminate Glass,
Internal Leaf Toughened Glass.

PROJECT SPECIFICATIONS

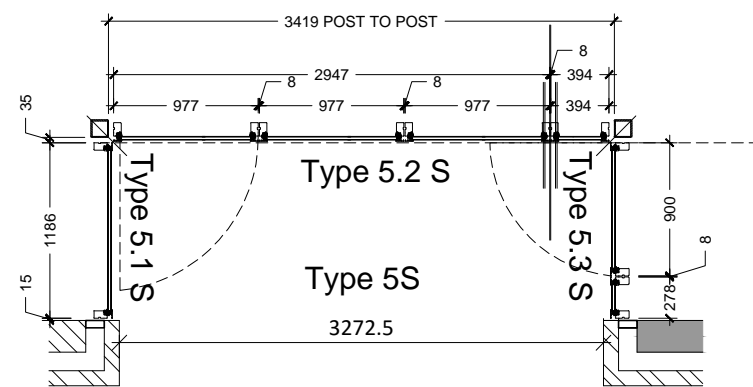
DESCRIPTION	TEROCO VELFAC V200 SYSTEM
GLASS TYPE	LOW E ARGON FILLED. (DG & TG - AS NOTED)
EXTERNAL RAL	RAL 7021 GLOSS 77%
INTERNAL	CLEAR LACQUER PINE FINISH
RESTRICTORS	QUICK RELEASE TO V200 OPENING SECTIONS
HANDLES	STANDARD
TRIMVENT	NONE REQUIRED
SAFETY GLASS	* BS 6206
GLAZING BEAD	LIGHT GREY GLAZING BEAD
GALSS SPACER	LIGHT GREY SPACER BAR
ORDER NO.	TBC

UNIT SPECIFICATION

GLASS SPEC	DOUBLE GLAZED
G-VALUE	TBC
U-VALUE	TBC

APPROVED

NOTES:
MAX WIDTH OF V200 OPENING SECTION (DOUBLE=1100) (TRIPLE=1000)



REV	DESCRIPTION	DATE
C	REVISED FOR MANUFACTURE	05-01-16
B	REVISED FROM ARCHITECTS COMMENTS	08-12-15
A	ISSUED SCHEDULES	19-11-15

TEROCO CONTRACT REF
QTE316
CLANCY QUAY PHASE 2.1

CONTRACTOR
GLENBEIGH
Damastown Way,
Damastown
Business Park,
Co. Dublin
Ph: 01 822 70 08
info@gcon.ie

MAHONY PIKE
The Chapel,
Mount St Annes,
Miltown,
Dublin 6,
Ph: 01 202 7400
info@mparchitects.com

DRAWING TITLE
WINDOW SCHEDULES BLOCK B9

SHEET NO.	DRG NO.	REV.
S23	S-BLK-B9	C

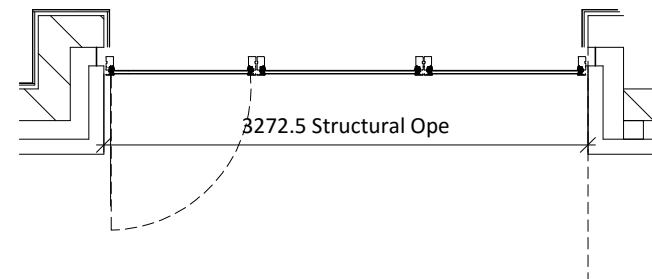
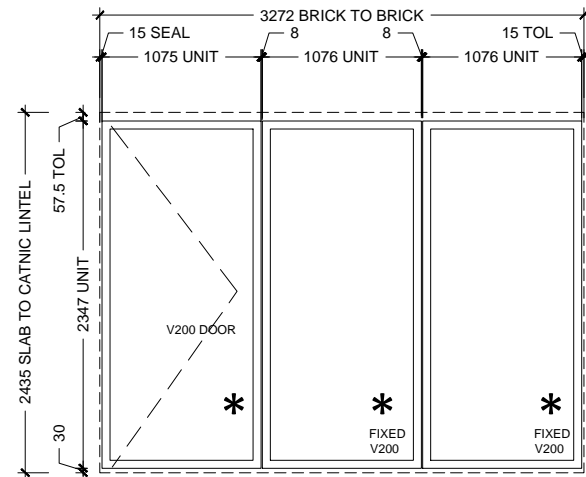
DRAWN	DATE	SCALE/PLOT	CHECKED
FB	NOV 2015	1:50	BB



TEROCO Windows & Doors Ltd.
Unit 1b, Riverview Business Park,
Nangor Road, Dublin 12
T : 01 450 7886
W : www.teroco.ie

SOUTH FACADE

NOTES:
MAX WIDTH OF V200 OPENING SECTION (DOUBLE=1100) (TRIPLE=1000)



Type 6 S

WINDOW REF	ELEVATION	STR WIDTH	STR HEIGHT	QUANTITY
TYPE 6S	SOUTH	1810	2435	4

REFERENCE	QUANTITY	ORDER 1 Total 1	REFERENCE	QUANTITY	ORDER 2 Total 1
SC-00-03	1		SC-01-03	1	

REFERENCE	QUANTITY	ORDER 3 Total 1	REFERENCE	QUANTITY	ORDER 4 Total 1
SC-02-03	1		SC-03-03	1	

* External Leaf Laminated Glass,
Internal Leaf Toughened Glass.

PROJECT SPECIFICATIONS

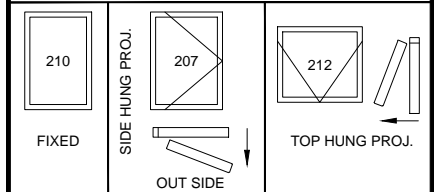
DESCRIPTION	TEROCO VELFAC V200 SYSTEM
GLASS TYPE	LOW E ARGON FILLED. (DG & TG - AS NOTED)
EXTERNAL RAL	RAL 7021 GLOSS 77%
INTERNAL	CLEAR LACQUER PINE FINISH
RESTRICTORS	QUICK RELEASE TO V200 OPENING SECTIONS
HANDLES	STANDARD
TRIMVENT	NONE REQUIRED
SAFETY GLASS	* BS 6206
GLAZING BEAD	LIGHT GREY GLAZING BEAD
GLASS SPACER	LIGHT GREY SPACER BAR
ORDER NO.	TBC

UNIT SPECIFICATION

GLASS SPEC	DOUBLE GLAZED
G-VALUE	TBC
U-VALUE	TBC

APPROVED

NOTE: TEROCO DRAWINGS ARE VIEWED FROM THE OUTSIDE AND USE EUROPEAN NOTATION - WITH THE POINT OF THE CHEVRON, THAT INDICATES THE OPENING LIGHTS POINTING TO THE HANDLE



TEROCO
VELFAC
ORDER 4, 5, 6 & 7
BLOCK B9

REV-C
SCHEDULES
ISSUED
06-01-2016

C	REVISED FOR MANUFACTURE	05-01-16
B	REVISED FROM ARCHITECTS COMMENTS	08-12-15
A	ISSUED SCHEDULES	19-11-15
REV	DESCRIPTION	DATE

TEROCO CONTRACT REF
QTE316
CLANCY QUAY PHASE 2.1

CONTRACTOR

Damastown Way,
Damastown Business Park,
Co. Dublin
Ph: 01 822 70 08
info@gcon.ie

The Chapel,
Mount St Annes,
Milltown,
Dublin 6,
Ph: 01 202 7400
info@omparchitects.com

DRAWING TITLE
WINDOW SCHEDULES BLOCK B9

SHEET NO.	DRG NO.	REV.
S24	S-BLK-B9	C

DRAWN	DATE	SCALE/PLOT	CHECKED
FB	NOV 2015	1:50	BB



TEROCO Windows & Doors Ltd.
Unit 1b, Riverview Business Park,
Nangor Road, Dublin 12
T : 01 450 7886
W : www.teroco.ie



TEROCO Windows & Doors Ltd.

Unit 1b, Riverview Business Park,
Nangor Road, Dublin 12
T : 01 450 7886
W : www.teroco.ie



Glenbeigh Construction Ltd.

Damastown Way, Damastown
Business Park, Co. Dublin
T : 01 822 70 08
W : <http://www.gcon.ie/>

● MAHONY PIKE

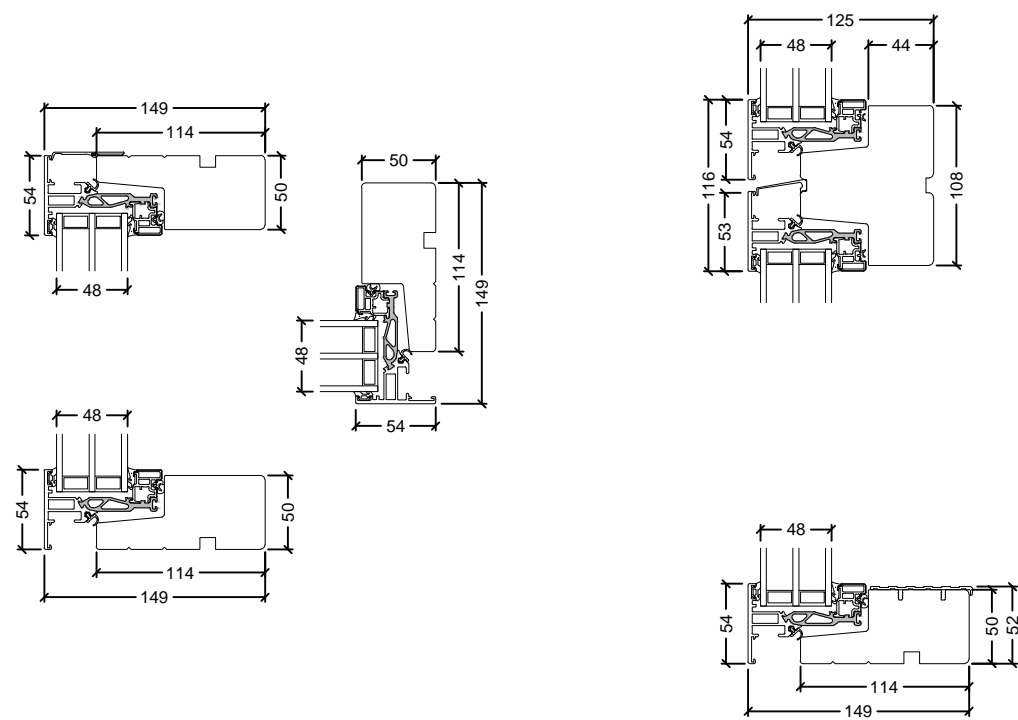
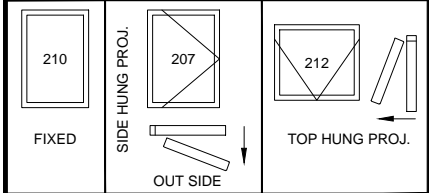
O'Mahony Pike Architects

The Chapel, Mount St Annes,
Milltown, Dublin 6,
T : 01 202 7400
W : <http://omparchitects.com/>

(Q T E 3 1 6) C L A N C Y Q U A Y P H A S E 2 . 1

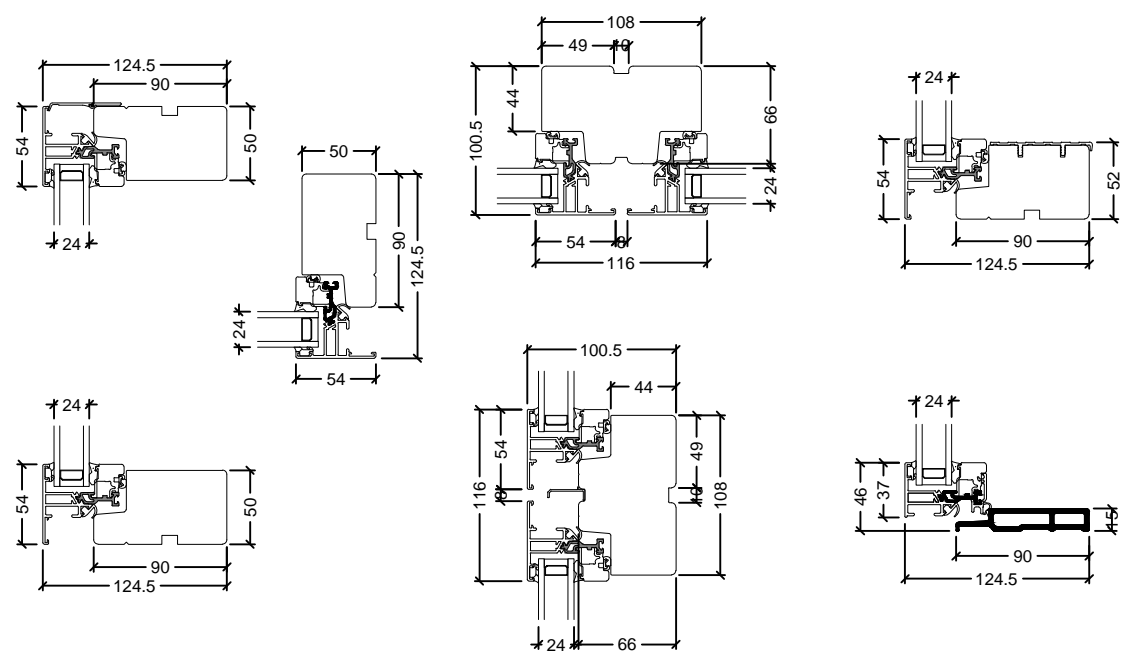
COURTYARD TOWNHOUSES
TEROCO DETAILS REV A

NOTE: TEROCO DRAWINGS ARE VIEWED FROM THE OUTSIDE AND USE EUROPEAN NOTATION - WITH THE POINT OF THE CHEVRON, THAT INDICATES THE OPENING LIGHTS POINTING TO THE HANDLE



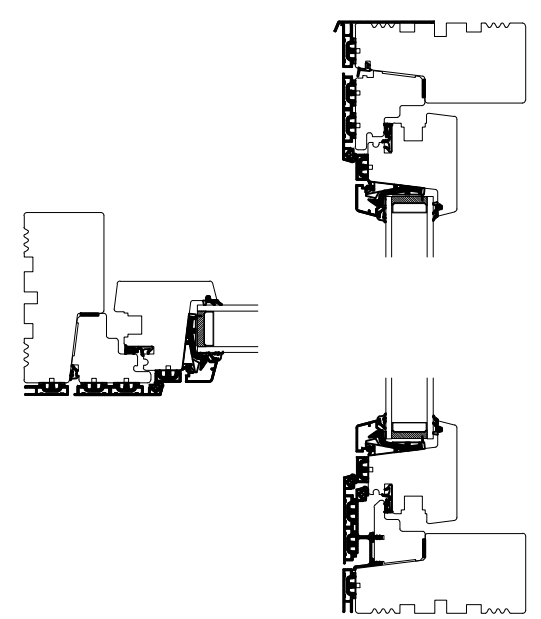
V200 TG Frame Sections

Scale: 1:2



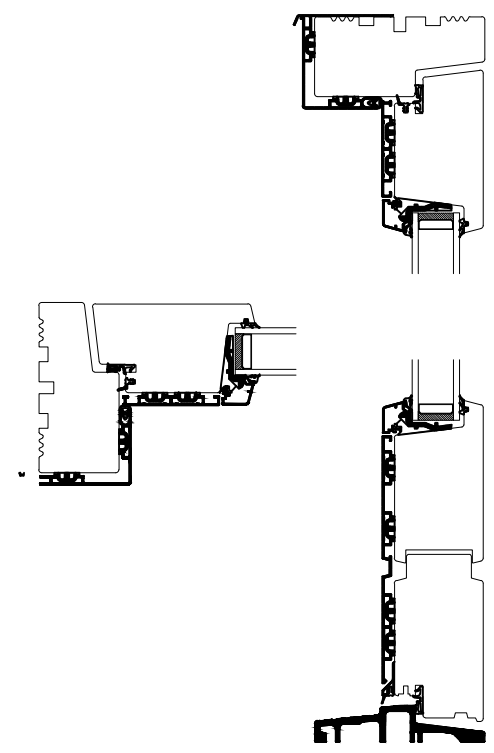
V200 DG Frame Sections

Scale: 1:2



V100 DG Frame Sections

Scale: 1:2



V600 Frame Sections

Scale: 1:2

TEROCO VELFAC ORDER 1 HOUSE TYPE 3A/B

INSTALLATION DETAILS ISSUED FOR APPROVAL 12-10-2015

REV	DESCRIPTION	DATE
-----	-------------	------

TEROCO CONTRACT REF: **QTE316**
CLANCY QUAY PHASE 2.1

CONTRACTOR: **GLENBEIGH CONSTRUCTION**
Damastown Way, Damastown Business Park, Co. Dublin
Ph: 01 822 70 08 info@gcon.ie

MAHONY PIKE
The Chapel, Mount St Annes, Milltown, Dublin 6,
Ph: 01 202 7400 info@omparchitects.com

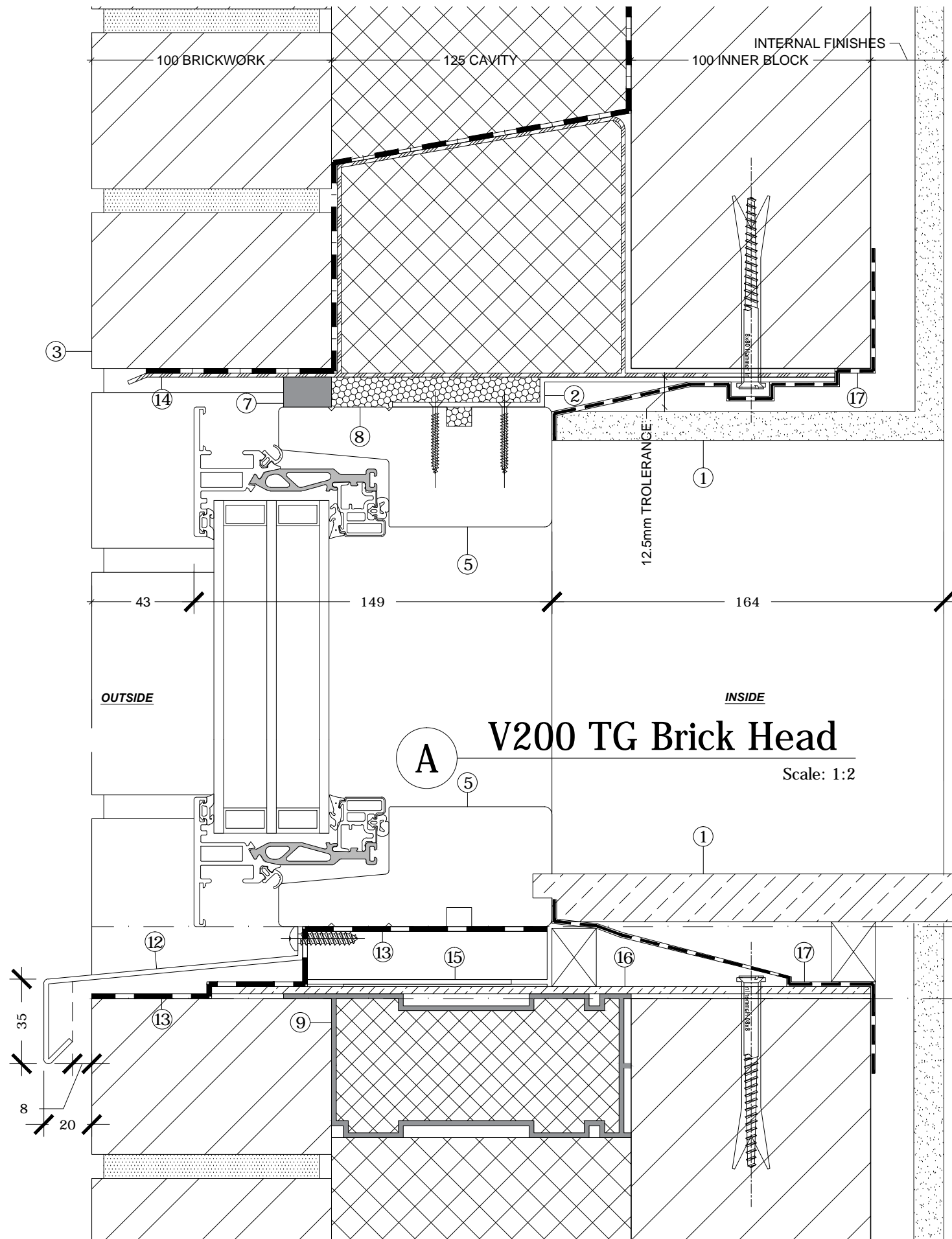
DRAWING TITLE: **WINDOW DETAILS TOWNHOUSES 3A&B**

SHEET NUM	DRG NO.	REV.
D00	D-TH-3A/B	-

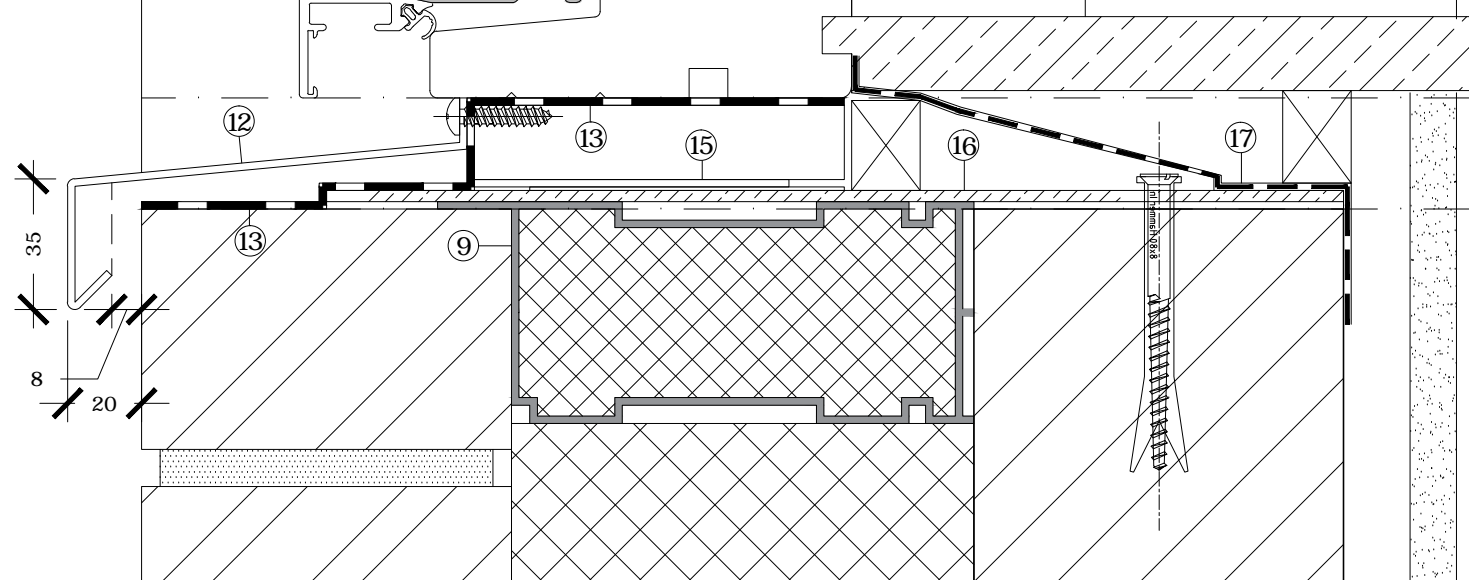
DRAWN	DATE	SCALE/PLOT	CHECKED
FB	26-09-15	1:2	BB



TEROCO Windows & Doors Ltd.
Unit 1b, Riverview Business Park, Nangor Road, Dublin 12
T : 01 450 7886
W : www.teroco.ie

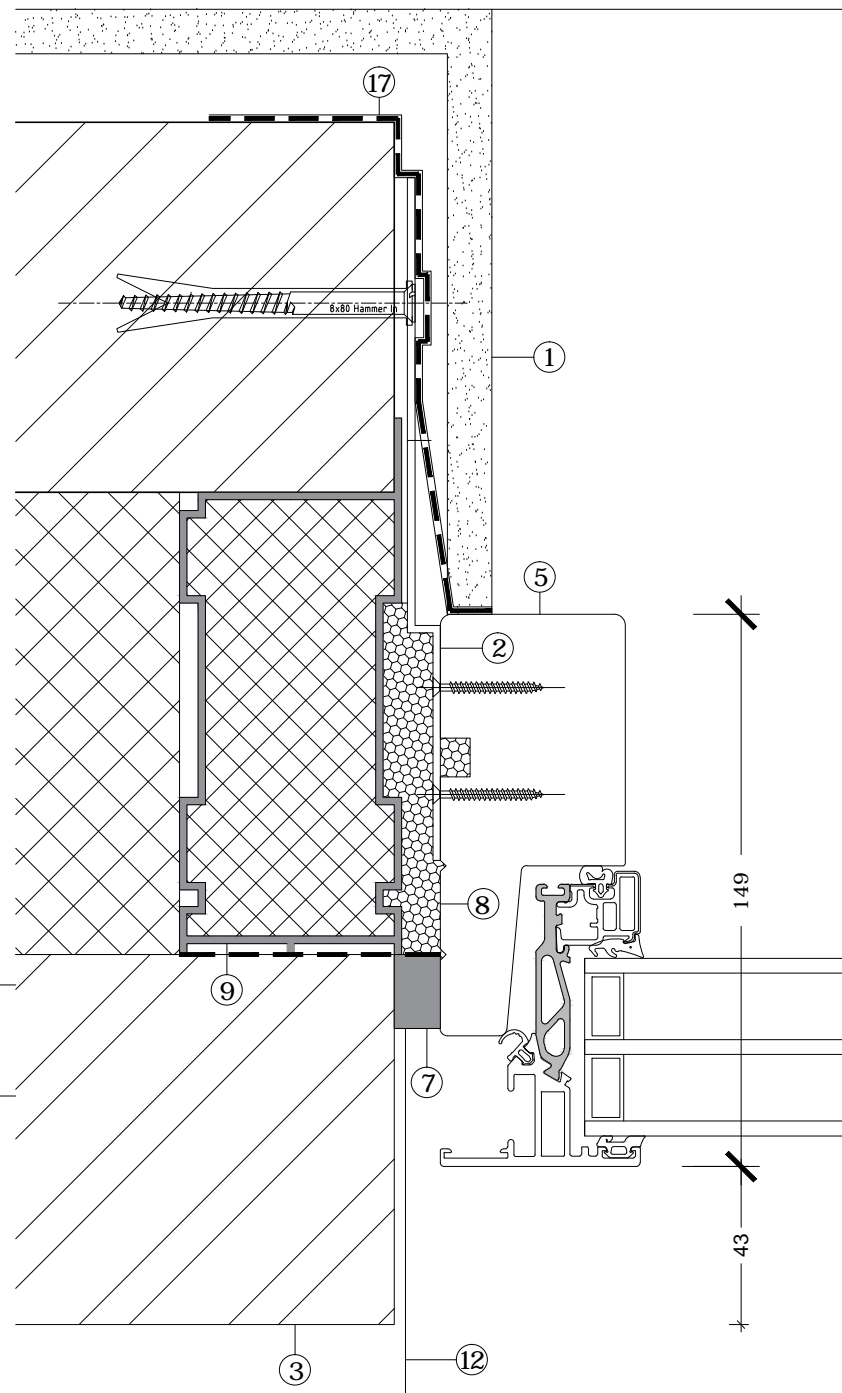


A V200 TG Brick Head
Scale: 1:2



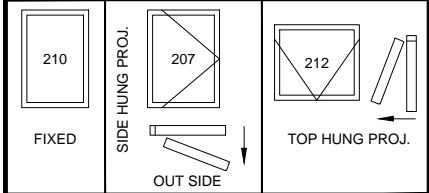
B V200 TG Alu Cill Brick
Scale: 1:2

- DRAWING KEY**
- INTERNAL PLASTERBOARD & LININGS BY OTHERS
 - 1.8mm GS STRAP FIXED TO FRAME WITH 40mm WOODSCREWS AT 600c/c & 150mm FROM EACH CORNER BY TEROCO Ltd
 - EXTERNAL BRICK OR RENDER SYSTEM INSTALLED BEFORE WINDOW INSTALLATION. BUILDER TO CONFIRM PLASTER THICKNESS BEFORE WINDOW ORDER
 - VELFAC V100 WINDOW FRAME
 - VELFAC V200 WINDOW FRAME
 - VELFAC V600 DOOR FRAME
 - EXTERNAL WEATHERSEAL BY TEROCO LTD
 - PU FOAM BETWEEN WINDOW FRAME AND STRUCTURE BY TEROCO LTD
 - DPC's & THERMABATE OR SIMILAR CAVITY CLOSER INSTALLED BY MAIN CONTRACTOR (SHOWN INDICATIVELY ONLY) (BONDED TO PLASTER AT HEADS BY MAIN CONTRACTOR)
 - CONCRETE CILLS BY MAIN CONTRACTOR
 - BEDDING MASTIC BETWEEN WINDOW FRAME & CONCRETE CILL
 - 2mm ALUMINIUM POWDER COATED CILL FIXED TO PACKED BY TEROCO
 - EPDM BETWEEN WINDOW FRAME AND PACKER
 - LINTEL INSTALLED BY MAIN CONTRACTOR
 - PACKING AND LEVELLING BY TEROCO LTD
 - WINDOW SUPPORT BY MAIN CONTRACTOR
 - AIR SEALS INSTALLED BY SPECIALIST OR MAIN CONTRACTOR
 - 14mm Dia FRAME TO FRAME COUPLING COVER CAP BY TEROCO LTD
 - 8/10mm JOINER BAR BETWEEN FRAMES



C V200 TG Brick Jamb
Scale: 1:2

NOTE: TEROCO DRAWINGS ARE VIEWED FROM THE OUTSIDE AND USE EUROPEAN NOTATION - WITH THE POINT OF THE CHEVRON, THAT INDICATES THE OPENING LIGHTS POINTING TO THE HANDLE



TEROCO VELFAC ORDER 1 HOUSE TYPE 3A/B

INSTALLATION DETAILS ISSUED FOR APPROVAL 12-10-2015

REV	DESCRIPTION	DATE
A	REVISED FROM SITE MEETIN & ARCHITECTS COMMENTS	06-10-15

TEROCO CONTRACT REF	QTE316 CLANCY QUAY PHASE 2.1
---------------------	--

CONTRACTOR

Damastown Way,
Damastown Business Park,
Co. Dublin
Ph: 01 822 70 08
info@gcon.ie

MAHONY PIKE

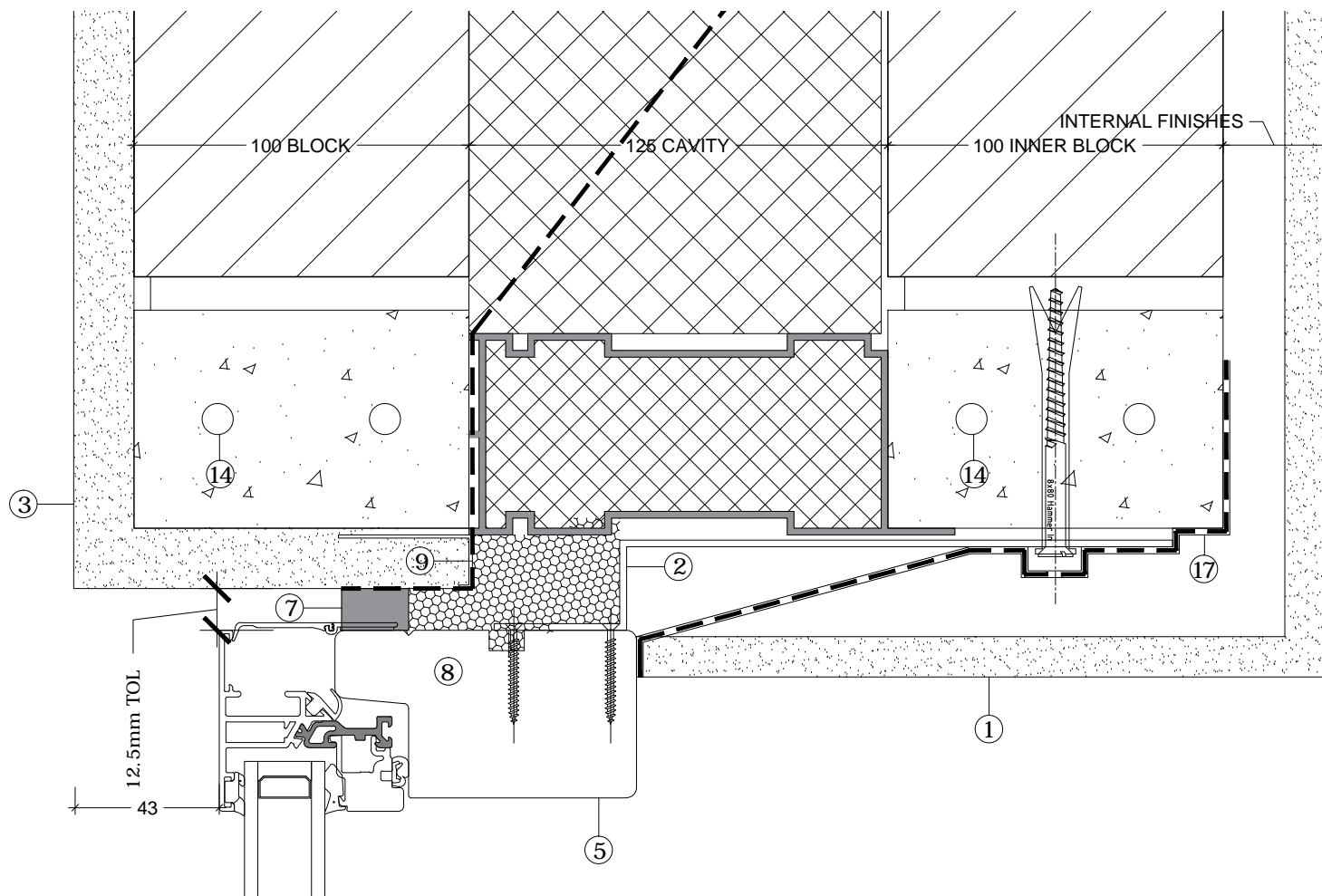
The Chapel,
Mount St Annes,
Miltown,
Dublin 6,
Ph: 01 202 7400
info@omparchitects.com

DRAWING TITLE
WINDOW DETAILS TOWNHOUSES 3A&B

SHEET NUM	DRG NO.	REV.	
D01	D-TH-3A/B	A	
DRAWN	DATE	SCALE/PLOT	CHECKED
FB	26-09-15	1:2	BB



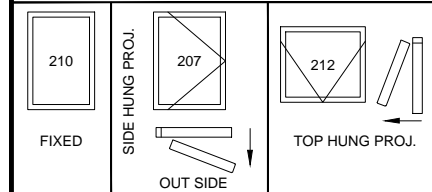
TEROCO Windows & Doors Ltd.
Unit 1b, Riverview Business Park,
Nangor Road, Dublin 12
T : 01 450 7886
W : www.teroco.ie



DRAWING KEY

1. INTERNAL PLASTERBOARD & LININGS BY OTHERS
2. 1.8mm GS STRAP FIXED TO FRAME WITH 40mm WOODSCREWS AT 600c/c & 150mm FROM EACH CORNER BY TEROCO Ltd
3. EXTERNAL BRICK OR RENDER SYSTEM INSTALLED BEFORE WINDOW INSTALLATION. BUILDER TO CONFIRM PLASTER THICKNESS BEFORE WINDOW ORDER
4. VELFAC V100 WINDOW FRAME
5. VELFAC V200 WINDOW FRAME
6. VELFAC V600 DOOR FRAME
7. EXTERNAL WEATHERSEAL BY TEROCO LTD
8. PU FOAM BETWEEN WINDOW FRAME AND STRUCTURE BY TEROCO LTD
9. DPC's & THERMABATE OR SIMILAR CAVITY CLOSER INSTALLED BY MAIN CONTRACTOR (SHOWN INDICATIVELY ONLY) (BONDED TO PLASTER AT HEADS BY MAIN CONTRACTOR)
10. CONCRETE CILLS BY MAIN CONTRACTOR
11. BEDDING MASTIC BETWEEN WINDOW FRAME & CONCRETE CILL
12. 2mm ALUMINIUM POWDER COATED CILL FIXED TO PACKED BY TEROCO
13. EPDM BETWEEN WINDOW FRAME AND PACKER
14. LINTEL INSTALLED BY MAIN CONTRACTOR
15. PACKING AND LEVELLING BY TEROCO LTD
16. WINDOW SUPPORT BY MAIN CONTRACTOR
17. AIR SEALS INSTALLED BY SPECILIST OR MAIN CONTRACTOR
18. 14mm Dia FRAME TO FRAME COUPLING COVER CAP BY TEROCO LTD
19. 8/10mm JOINER BAR BETWEEN FRAMES

NOTE: TEROCO DRAWINGS ARE VIEWED FROM THE OUTSIDE AND USE EUROPEAN NOTATION - WITH THE POINT OF THE CHEVRON, THAT INDICATES THE OPENING LIGHTS POINTING TO THE HANDLE



TEROCO VELFAC ORDER 1 HOUSE TYPE 3A/B

INSTALLATION DETAILS ISSUED FOR APPROVAL 12-10-2015

REV	DESCRIPTION	DATE
A	REVISED FROM SITE MEETIN & ARCHITECTS COMMENTS	06-10-15

TEROCO CONTRACT REF **QTE316**
CLANCY QUAY PHASE 2.1

CONTRACTOR Damastown Way, Damastown Business Park, Co. Dublin Ph: 01 822 70 08 info@gcon.ie

The Chapel, Mount St Annes, Milltown, Dublin 6, Ph: 01 202 7400 info@omparchitects.com

DRAWING TITLE
WINDOW DETAILS TOWNHOUSES 3A&B

SHEET NUM	DRG NO.	REV.
D02	D-TH-3A/B	A

DRAWN	DATE	SCALE/PLOT	CHECKED
FB	26-09-15	1:2	BB



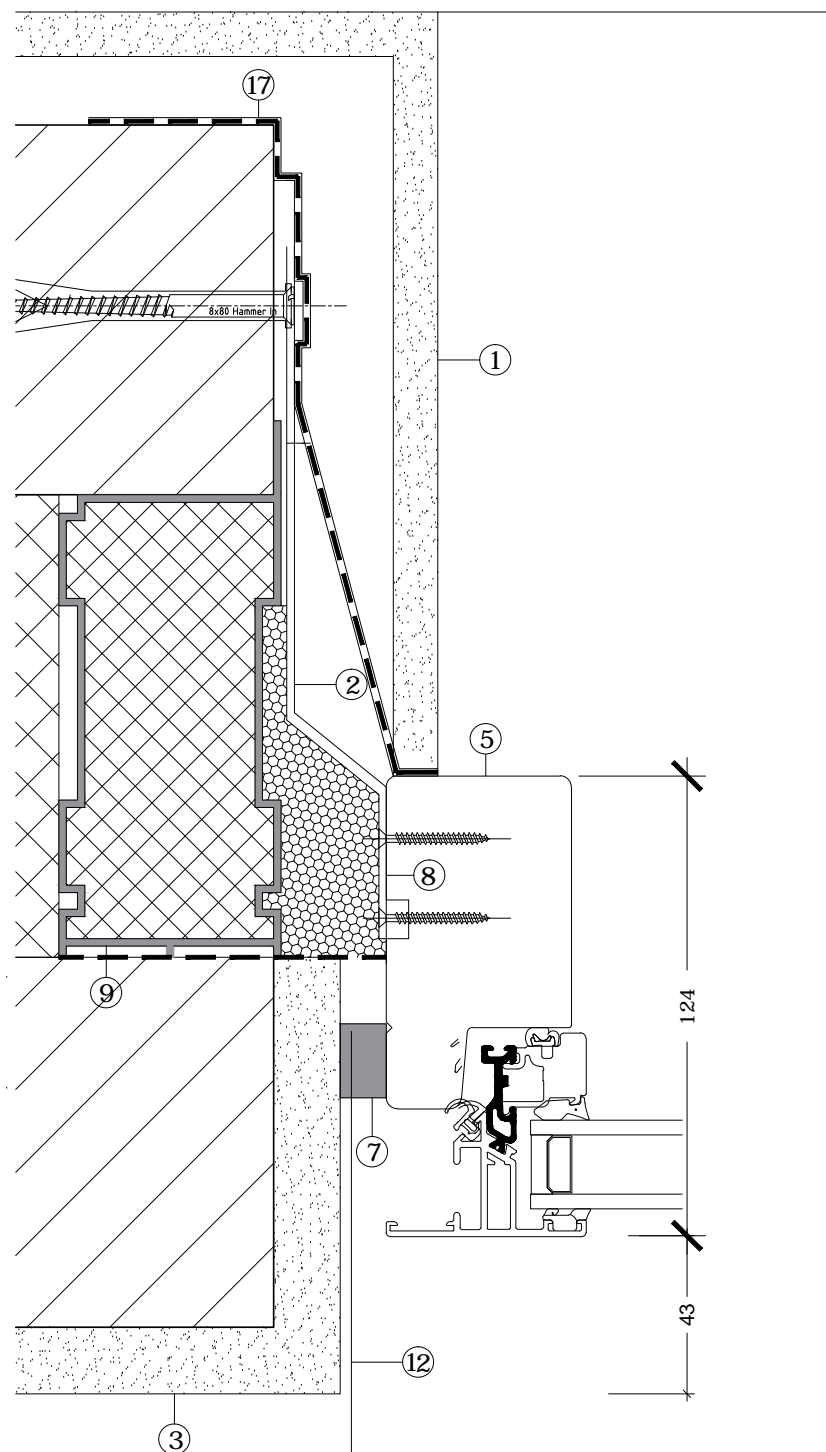
TEROCO Windows & Doors Ltd.
Unit 1b, Riverview Business Park, Nangor Road, Dublin 12
T : 01 450 7886
W : www.teroco.ie

OUTSIDE

INSIDE

D V200 DG Render Head
Scale: 1:2

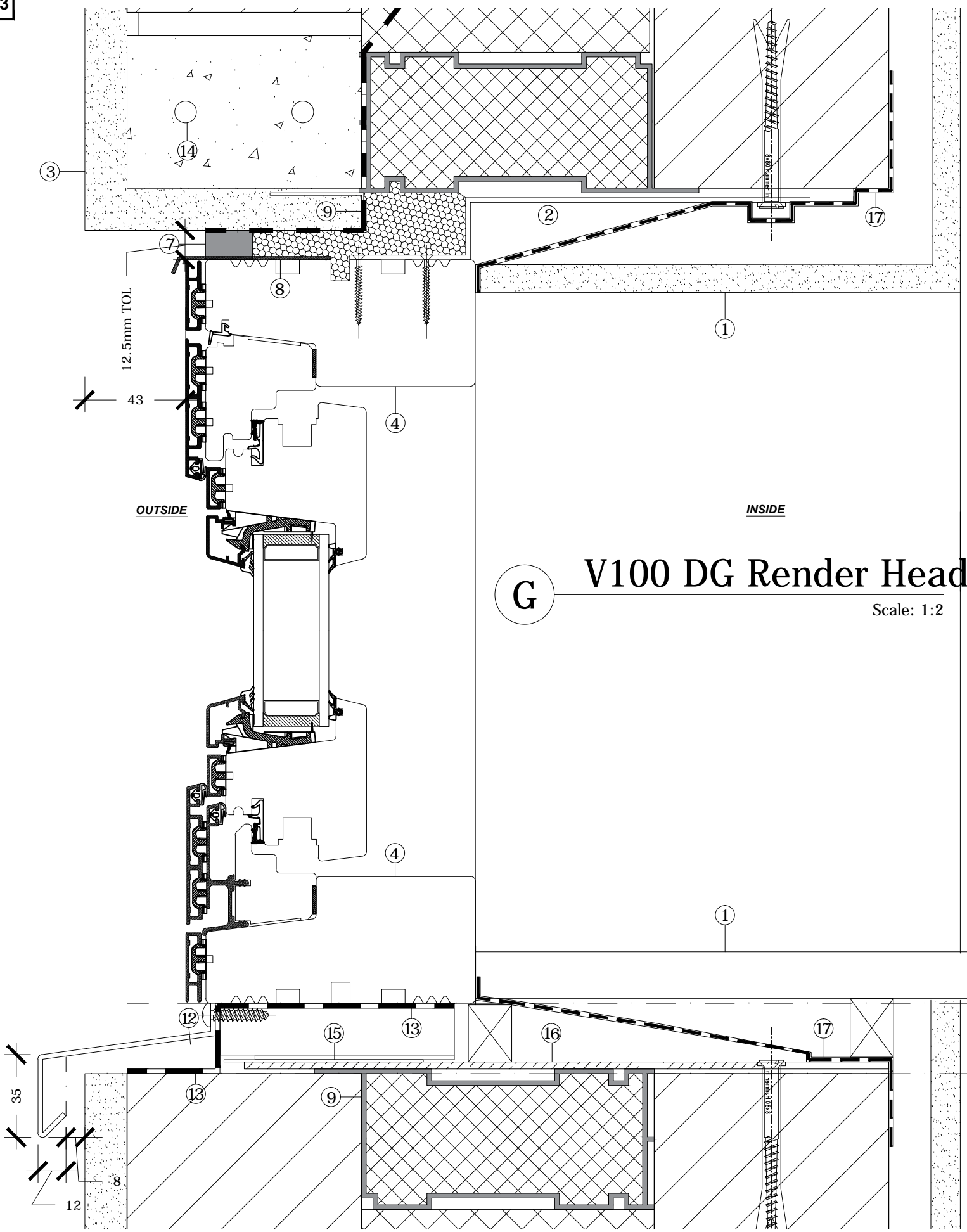
E V200 DG Alu Cill Render
Scale: 1:2



F V200 DG Render Jamb
Scale: 1:2

30 TOLERANCE

A3



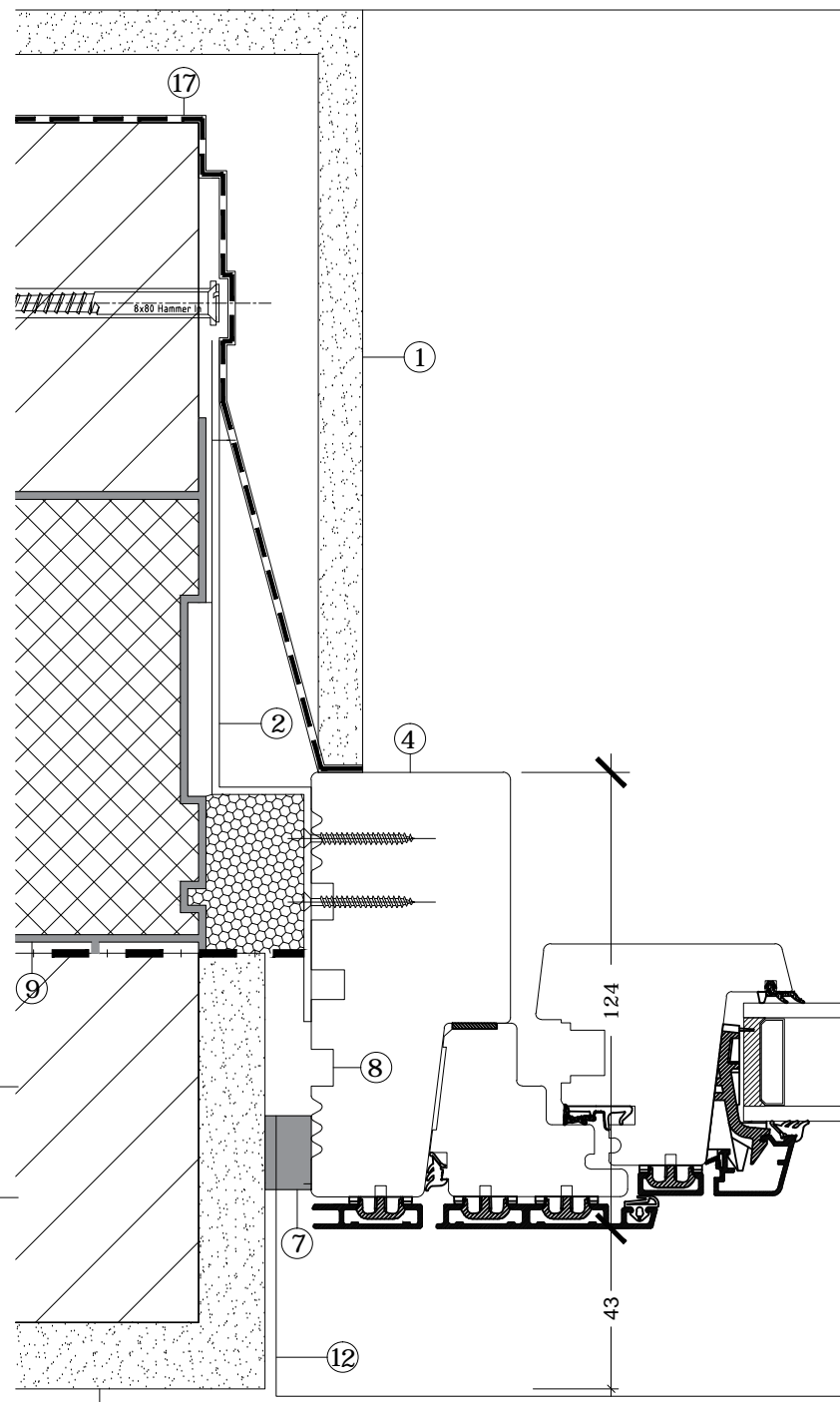
G V100 DG Render Head
Scale: 1:2



H V100 DG Alu Cill Render
Scale: 1:2

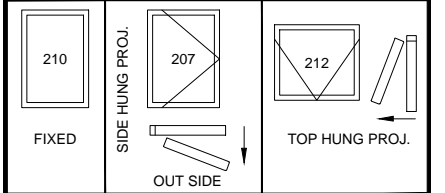
DRAWING KEY

1. INTERNAL PLASTERBOARD & LININGS BY OTHERS
2. 1.8mm GS STRAP FIXED TO FRAME WITH 40mm WOODSCREWS AT 600c/c & 150mm FROM EACH CORNER BY TEROCO Ltd
3. EXTERNAL BRICK OR RENDER SYSTEM INSTALLED BEFORE WINDOW INSTALLATION. BUILDER TO CONFIRM PLASTER THICKNESS BEFORE WINDOW ORDER
4. VELFAC V100 WINDOW FRAME
5. VELFAC V200 WINDOW FRAME
6. VELFAC V600 DOOR FRAME
7. EXTERNAL WEATHERSEAL BY TEROCO LTD
8. PU FOAM BETWEEN WINDOW FRAME AND STRUCTURE BY TEROCO LTD
9. DPC's & THERMABATE OR SIMILAR CAVITY CLOSER INSTALLED BY MAIN CONTRACTOR (SHOWN INDICATIVELY ONLY) (BONDED TO PLASTER AT HEADS BY MAIN CONTRACTOR)
10. CONCRETE CILLS BY MAIN CONTRACTOR
11. BEDDING MASTIC BETWEEN WINDOW FRAME & CONCRETE CILL
12. 2mm ALUMINIUM POWDER COATED CILL FIXED TO PACKED BY TEROCO
13. EPDM BETWEEN WINDOW FRAME AND PACKER
14. LINTEL INSTALLED BY MAIN CONTRACTOR
15. PACKING AND LEVELLING BY TEROCO LTD
16. WINDOW SUPPORT BY MAIN CONTRACTOR
17. AIR SEALS INSTALLED BY SPECIALIST OR MAIN CONTRACTOR
18. 14mm Dia FRAME TO FRAME COUPLING COVER CAP BY TEROCO LTD
19. 8/10mm JOINER BAR BETWEEN FRAMES



J V100 DG Render Jamb
Scale: 1:2

NOTE: TEROCO DRAWINGS ARE VIEWED FROM THE OUTSIDE AND USE EUROPEAN NOTATION - WITH THE POINT OF THE CHEVRON, THAT INDICATES THE OPENING LIGHTS POINTING TO THE HANDLE



TEROCO VELFAC ORDER 1 HOUSE TYPE 3A/B

INSTALLATION DETAILS ISSUED FOR APPROVAL 12-10-2015

REV	DESCRIPTION	DATE
A	REVISED FROM SITE MEETIN & ARCHITECTS COMMENTS	06-10-15

TEROCO CONTRACT REF **QTE316**
CLANCY QUAY PHASE 2.1

CONTRACTOR Damastown Way, Damastown Business Park, Co. Dublin Ph: 01 822 70 08 info@gcon.ie

The Chapel, Mount St Annes, Milltown, Dublin 6, Ph: 01 202 7400 info@mparchitects.com

DRAWING TITLE
WINDOW DETAILS TOWNHOUSES 3A&B

SHEET NUM D03	DRG NO. D-TH-3A/B	REV. A
DRAWN FB	DATE 26-09-15	SCALE/PLOT 1:2
	CHECKED BB	

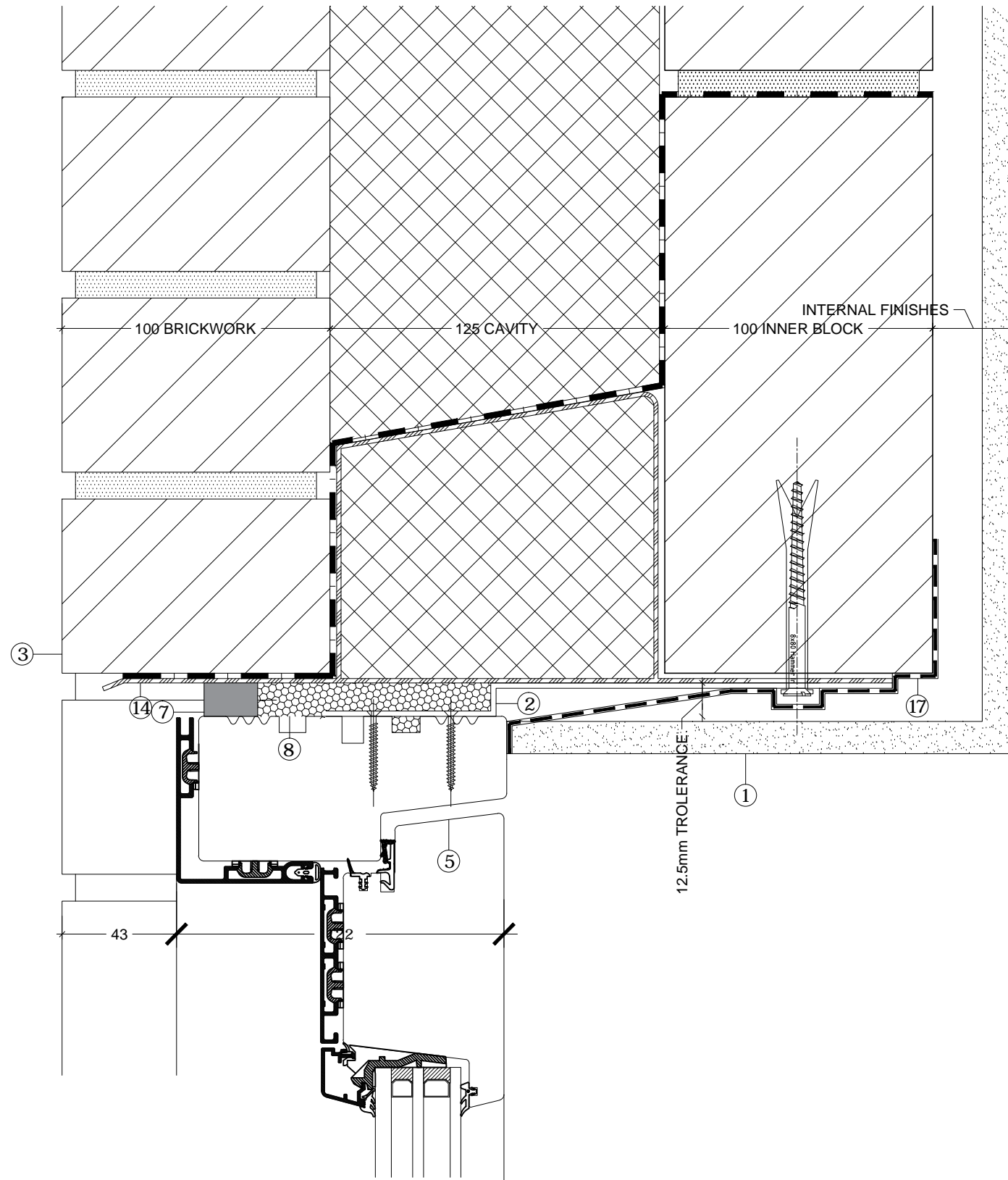
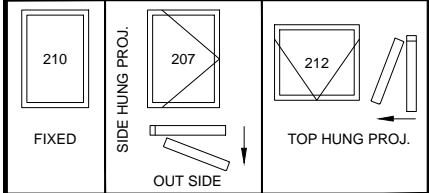


TEROCO Windows & Doors Ltd.
Unit 1b, Riverview Business Park, Nangor Road, Dublin 12
T : 01 450 7886
W : www.teroco.ie

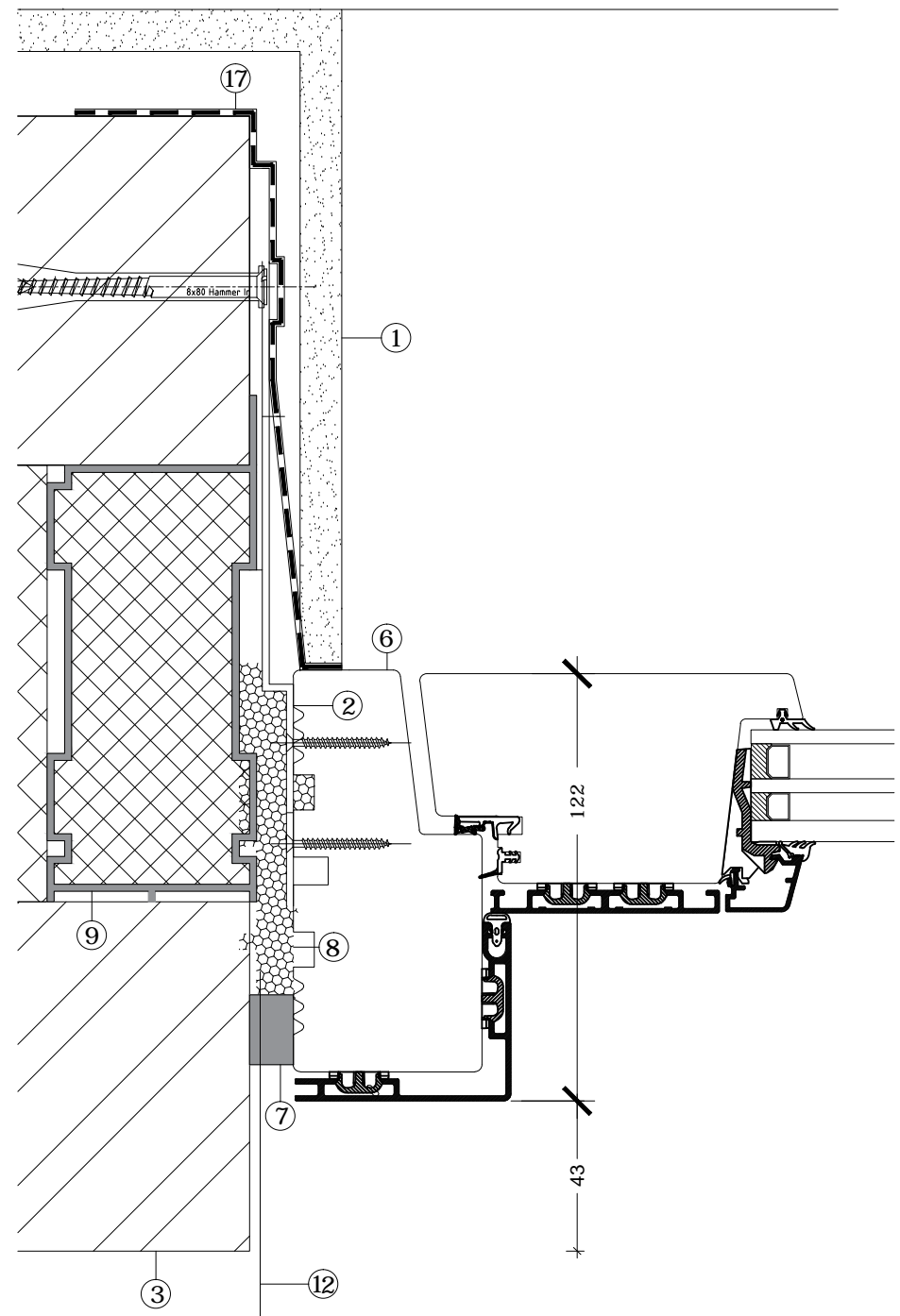
DRAWING KEY

1. INTERNAL PLASTERBOARD & LININGS BY OTHERS
2. 1.8mm GS STRAP FIXED TO FRAME WITH 40mm WOODSCREWS AT 600c/c & 150mm FROM EACH CORNER BY TEROCO Ltd
3. EXTERNAL BRICK OR RENDER SYSTEM INSTALLED BEFORE WINDOW INSTALLATION. BUILDER TO CONFIRM PLASTER THICKNESS BEFORE WINDOW ORDER
4. VELFAC V100 WINDOW FRAME
5. VELFAC V200 WINDOW FRAME
6. VELFAC V600 DOOR FRAME
7. EXTERNAL WEATHERSEAL BY TEROCO LTD
8. PU FOAM BETWEEN WINDOW FRAME AND STRUCTURE BY TEROCO LTD
9. DPC's & THERMABATE OR SIMILAR CAVITY CLOSER INSTALLED BY MAIN CONTRACTOR (SHOWN INDICATIVELY ONLY) (BONDED TO PLASTER AT HEADS BY MAIN CONTRACTOR)
10. CONCRETE CILLS BY MAIN CONTRACTOR
11. BEDDING MASTIC BETWEEN WINDOW FRAME & CONCRETE CILL
12. 2mm ALUMINIUM POWDER COATED CILL FIXED TO PACKED BY TEROCO
13. EPDM BETWEEN WINDOW FRAME AND PACKER
14. LINTEL INSTALLED BY MAIN CONTRACTOR
15. PACKING AND LEVELLING BY TEROCO LTD
16. WINDOW SUPPORT BY MAIN CONTRACTOR
17. AIR SEALS INSTALLED BY SPECILIST OR MAIN CONTRACTOR
18. 14mm Dia FRAME TO FRAME COUPLING COVER CAP BY TEROCO LTD
19. 8/10mm JOINER BAR BETWEEN FRAMES

NOTE: TEROCO DRAWINGS ARE VIEWED FROM THE OUTSIDE AND USE EUROPEAN NOTATION - WITH THE POINT OF THE CHEVRON, THAT INDICATES THE OPENING LIGHTS POINTING TO THE HANDLE



K V600 TG Brick Head
Scale: 1:2



L V600 TG Brick Jamb
Scale: 1:2

TEROCO VELFAC ORDER 1 HOUSE TYPE 3A/B

INSTALLATION DETAILS ISSUED FOR APPROVAL 12-10-2015

A	REVISED FROM SITE MEETIN & ARCHITECTS COMMENTS 06-10-15	06-10-15
REV	DESCRIPTION	DATE

TEROCO CONTRACT REF **QTE316**
CLANCY QUAY PHASE 2.1

CONTRACTOR Damastown Way, Damastown Business Park, Co. Dublin Ph: 01 822 70 08 info@gcon.ie

The Chapel, Mount St Annes, Milltown, Dublin 6, Ph: 01 202 7400 info@mparchitects.com

DRAWING TITLE
WINDOW DETAILS TOWNHOUSES 3A&B

SHEET NUM	DRG NO.	REV.	
D04	D-TH-3A/B	A	
DRAWN	DATE	SCALE/PLOT	CHECKED
FB	26-09-15	1:2	BB

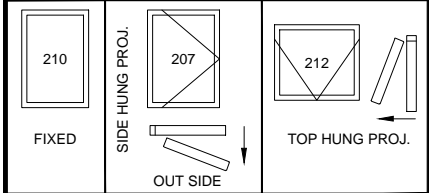


TEROCO Windows & Doors Ltd.
Unit 1b, Riverview Business Park, Nangor Road, Dublin 12
T : 01 450 7886
W : www.teroco.ie

DRAWING KEY

1. INTERNAL PLASTERBOARD & LININGS BY OTHERS
2. 1.8mm GS STRAP FIXED TO FRAME WITH 40mm WOODSCREWS AT 600c/c & 150mm FROM EACH CORNER BY TEROCO Ltd
3. EXTERNAL BRICK OR RENDER SYSTEM INSTALLED BEFORE WINDOW INSTALLATION. BUILDER TO CONFIRM PLASTER THICKNESS BEFORE WINDOW ORDER
4. VELFAC V100 WINDOW FRAME
5. VELFAC V200 WINDOW FRAME
6. VELFAC V600 DOOR FRAME
7. EXTERNAL WEATHERSEAL BY TEROCO LTD
8. PU FOAM BETWEEN WINDOW FRAME AND STRUCTURE BY TEROCO LTD
9. DPC's & THERMABATE OR SIMILAR CAVITY CLOSER INSTALLED BY MAIN CONTRACTOR (SHOWN INDICATIVELY ONLY) (BONDED TO PLASTER AT HEADS BY MAIN CONTRACTOR)
10. CONCRETE CILLS BY MAIN CONTRACTOR
11. BEDDING MASTIC BETWEEN WINDOW FRAME & CONCRETE CILL
12. 2mm ALUMINIUM POWDER COATED CILL FIXED TO PACKED BY TEROCO
13. EPDM BETWEEN WINDOW FRAME AND PACKER
14. LINTEL INSTALLED BY MAIN CONTRACTOR
15. PACKING AND LEVELLING BY TEROCO LTD
16. WINDOW SUPPORT BY MAIN CONTRACTOR
17. AIR SEALS INSTALLED BY SPECILIST OR MAIN CONTRACTOR
18. 14mm Dia FRAME TO FRAME COUPLING COVER CAP BY TEROCO LTD
19. 8/10mm JOINER BAR BETWEEN FRAMES

NOTE: TEROCO DRAWINGS ARE VIEWED FROM THE OUTSIDE AND USE EUROPEAN NOTATION - WITH THE POINT OF THE CHEVRON, THAT INDICATES THE OPENING LIGHTS POINTING TO THE HANDLE



TEROCO VELFAC ORDER 1 HOUSE TYPE 3A/B

INSTALLATION DETAILS ISSUED FOR APPROVAL 12-10-2015

A	REVISED FROM SITE MEETIN & ARCHITECTS COMMENTS	06-10-15
REV	DESCRIPTION	DATE

TEROCO CONTRACT REF **QTE316**
CLANCY QUAY PHASE 2.1

CONTRACTOR Damastown Way, Damastown Business Park, Co. Dublin Ph: 01 822 70 08 info@gcon.ie

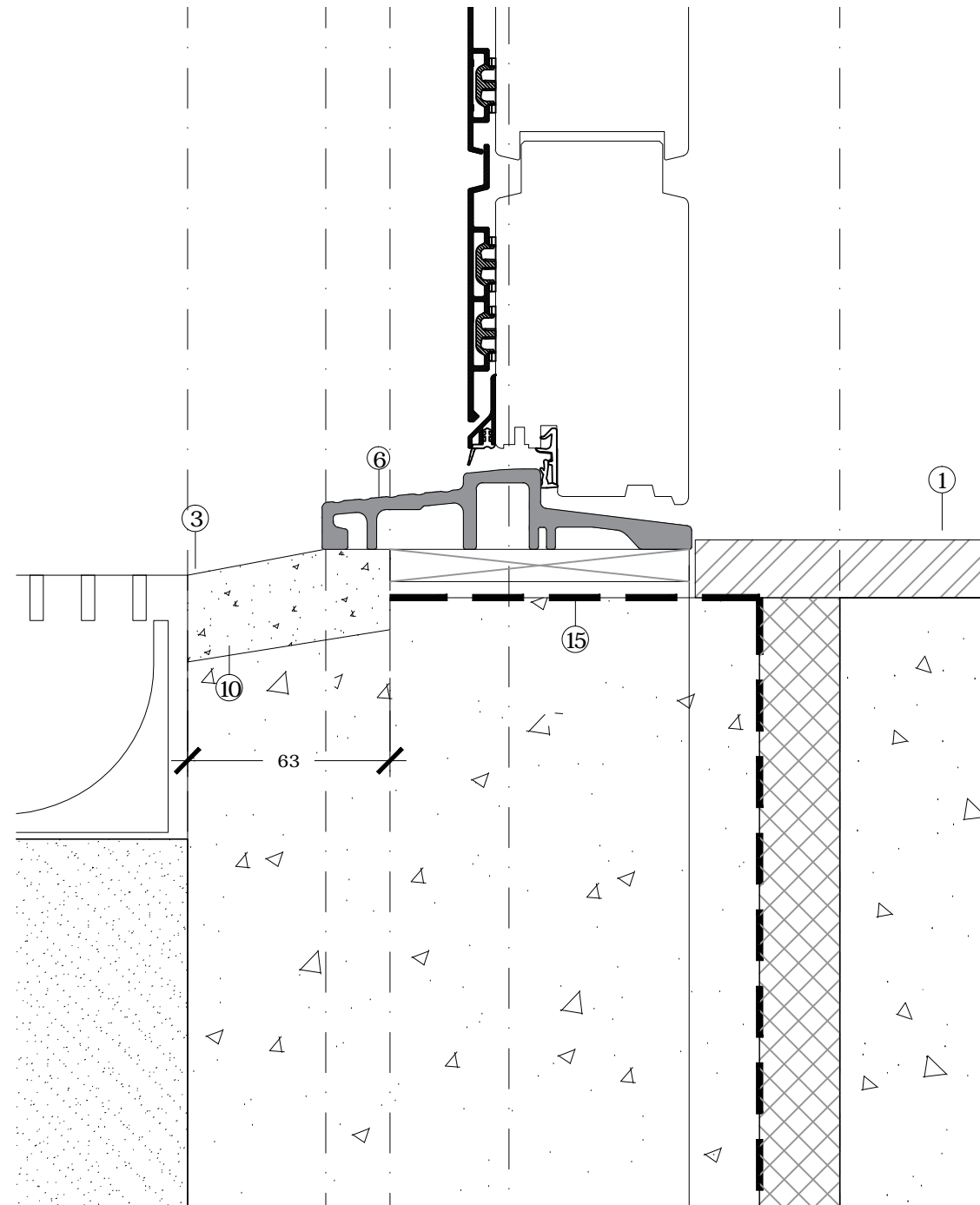
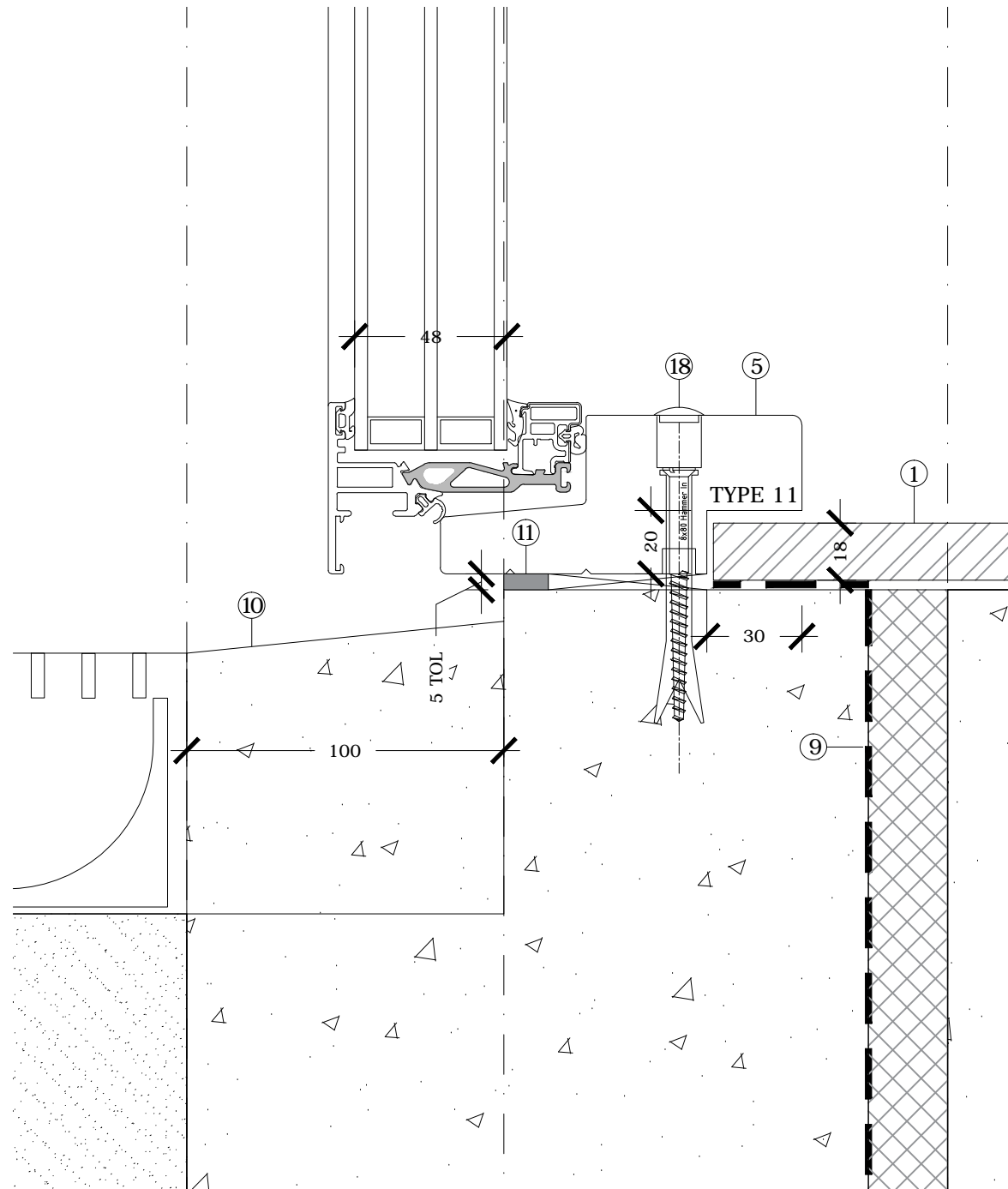
The Chapel, Mount St Annes, Milltown, Dublin 6, Ph: 01 202 7400 info@omparchitects.com

DRAWING TITLE
WINDOW DETAILS TOWNHOUSES 3A&B

SHEET NUM D05	DRG NO. D-TH-3A/B	REV. A
DRAWN FB	DATE 26-09-15	SCALE/PLOT 1:2
CHECKED BB		



TEROCO Windows & Doors Ltd.
Unit 1b, Riverview Business Park, Nangor Road, Dublin 12
T : 01 450 7886
W : www.teroco.ie



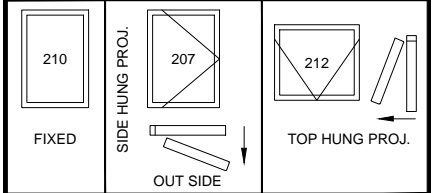
L V200 TG Threshold
Scale: 1:2

K V600 TG Threshold
Scale: 1:2

DRAWING KEY

1. INTERNAL PLASTERBOARD & LININGS BY OTHERS
2. 1.8mm GS STRAP FIXED TO FRAME WITH 40mm WOODSCREWS AT 600c/c & 150mm FROM EACH CORNER BY TEROCO Ltd
3. EXTERNAL BRICK OR RENDER SYSTEM INSTALLED BEFORE WINDOW INSTALLATION. BUILDER TO CONFIRM PLASTER THICKNESS BEFORE WINDOW ORDER
4. VELFAC V100 WINDOW FRAME
5. VELFAC V200 WINDOW FRAME
6. VELFAC V600 DOOR FRAME
7. EXTERNAL WEATHERSEAL BY TEROCO LTD
8. PU FOAM BETWEEN WINDOW FRAME AND STRUCTURE BY TEROCO LTD
9. DPC's & THERMABATE OR SIMILAR CAVITY CLOSER INSTALLED BY MAIN CONTRACTOR (SHOWN INDICATIVELY ONLY) (BONDED TO PLASTER AT HEADS BY MAIN CONTRACTOR)
10. CONCRETE CILLS BY MAIN CONTRACTOR
11. BEDDING MASTIC BETWEEN WINDOW FRAME & CONCRETE CILL
12. 2mm ALUMINIUM POWDER COATED CILL FIXED TO PACKED BY TEROCO
13. EPDM BETWEEN WINDOW FRAME AND PACKER
14. LINTEL INSTALLED BY MAIN CONTRACTOR
15. PACKING AND LEVELLING BY TEROCO LTD
16. WINDOW SUPPORT BY MAIN CONTRACTOR
17. AIR SEALS INSTALLED BY SPECILIST OR MAIN CONTRACTOR
18. 14mm Dia FRAME TO FRAME COUPLING COVER CAP BY TEROCO LTD
19. 8/10mm JOINER BAR BETWEEN FRAMES

NOTE: TEROCO DRAWINGS ARE VIEWED FROM THE OUTSIDE AND USE EUROPEAN NOTATION - WITH THE POINT OF THE CHEVRON, THAT INDICATES THE OPENING LIGHTS POINTING TO THE HANDLE



TEROCO VELFAC ORDER 1 HOUSE TYPE 3A/B

INSTALLATION DETAILS ISSUED FOR APPROVAL 12-10-2015

REV	DESCRIPTION	DATE
A	REVISED FROM SITE MEETIN & ARCHITECTS COMMENTS	06-10-15

TEROCO CONTRACT REF **QTE316**
CLANCY QUAY PHASE 2.1

CONTRACTOR Damastown Way, Damastown Business Park, Co. Dublin Ph: 01 822 70 08 info@gcon.ie

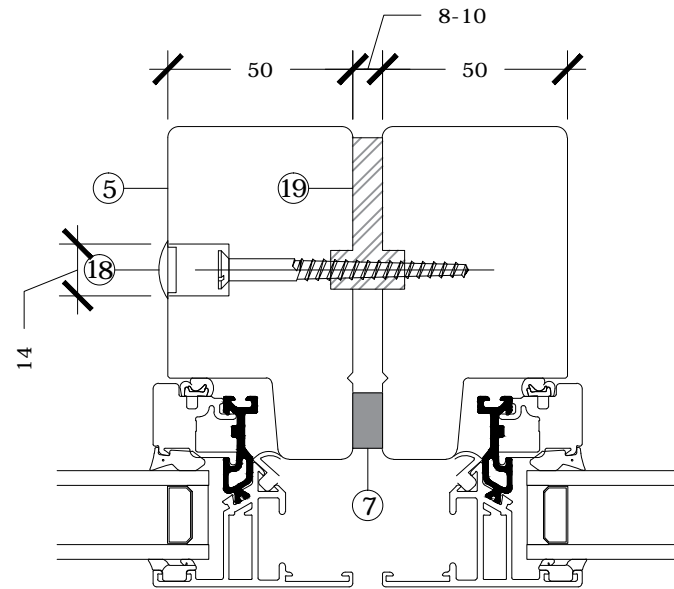
The Chapel, Mount St Annes, Milltown, Dublin 6, Ph: 01 202 7400 info@omparchitects.com

DRAWING TITLE
WINDOW DETAILS TOWNHOUSES 3A&B

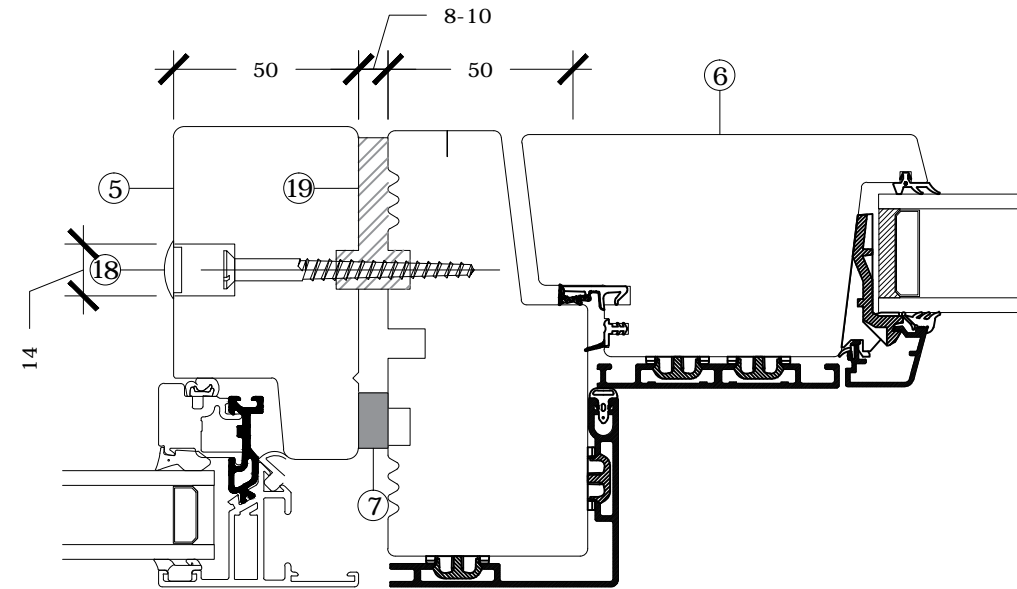
SHEET NUM D06	DRG NO. D-TH-3A/B	REV. A
DRAWN FB	DATE 26-09-15	SCALE/PLOT 1:2
CHECKED BB		



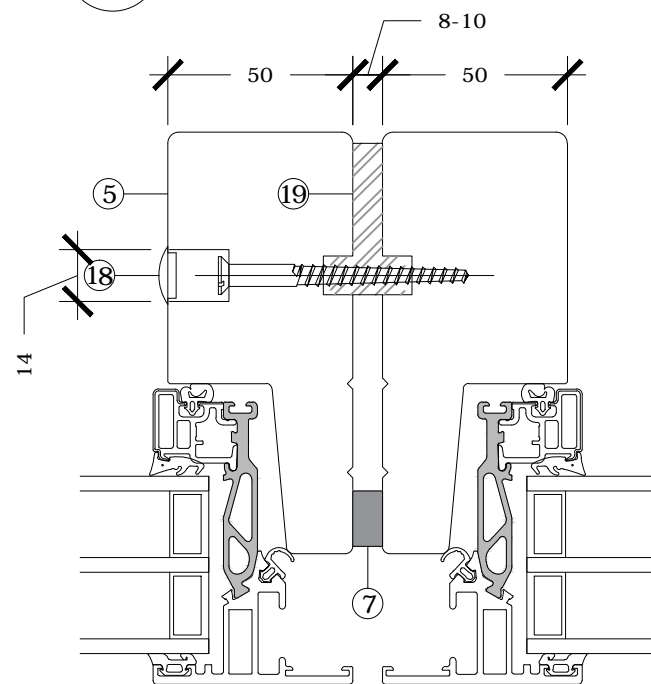
TEROCO Windows & Doors Ltd.
Unit 1b, Riverview Business Park,
Nangor Road, Dublin 12
T : 01 450 7886
W : www.teroco.ie



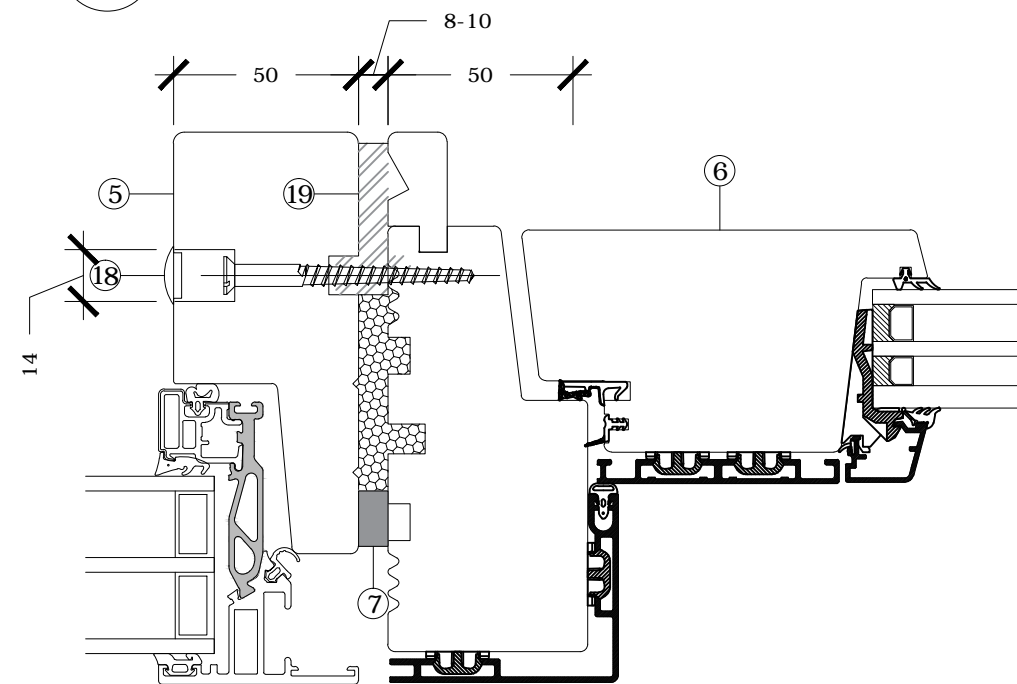
M V200 DG Coupling
Scale: 1:2



P V200/V600 DG Coupling
Scale: 1:2



N V200 TG Coupling
Scale: 1:2



Q V200/V600 TG Coupling
Scale: 1:2



TEROCO Windows & Doors Ltd.

Unit 1b, Riverview Business Park,
Nangor Road, Dublin 12
T : 01 450 7886
W : www.teroco.ie



Glenbeigh Construction Ltd.

Damastown Way, Damastown
Business Park, Co. Dublin
T : 01 822 70 08
W : <http://www.gcon.ie/>

● MAHONY PIKE

O'Mahony Pike Architects

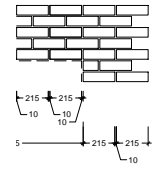
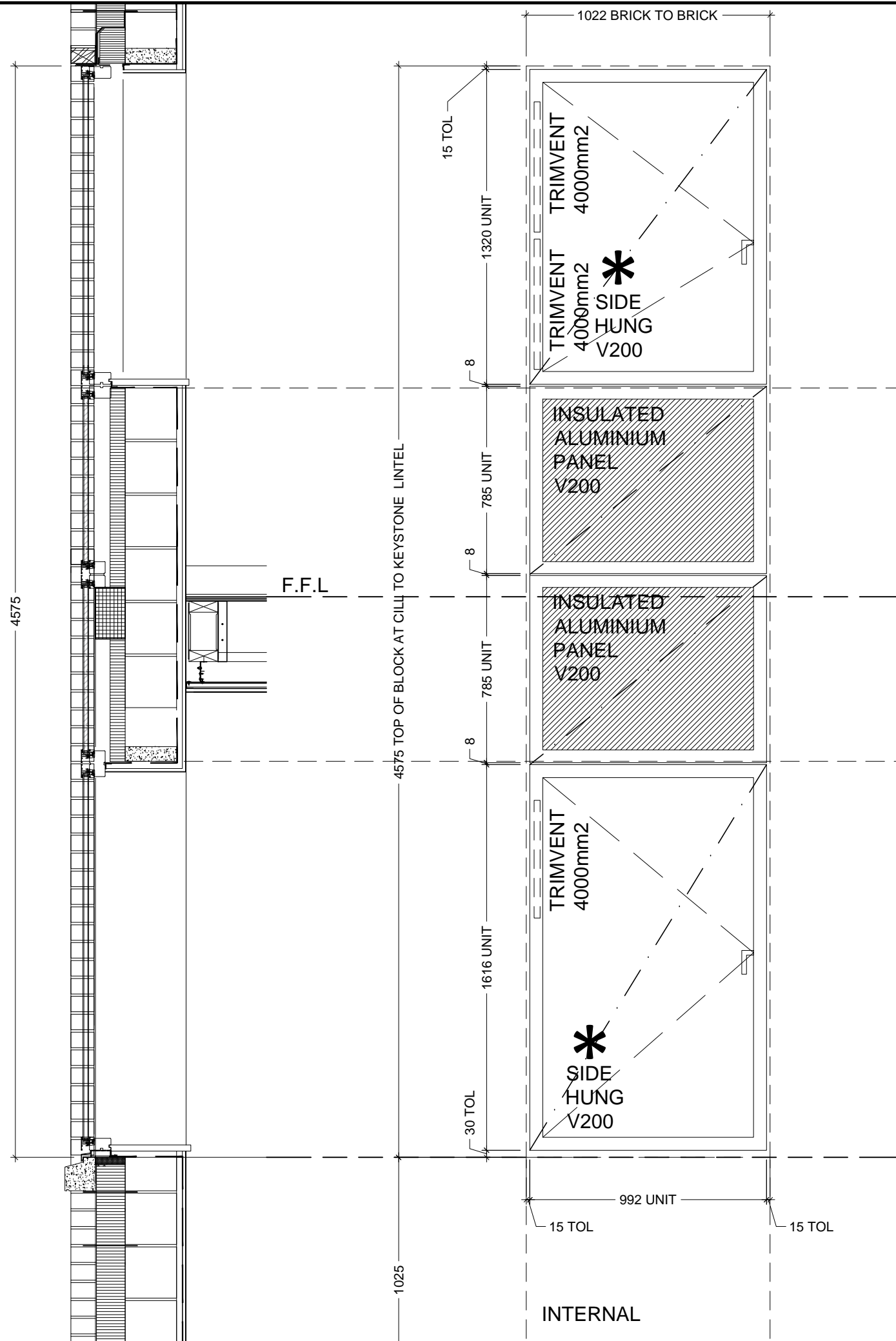
The Chapel, Mount St Annes,
Milltown, Dublin 6,
T : 01 202 7400
W : <http://omparchitects.com/>

(Q T E 3 1 6) C L A N C Y Q U A Y P H A S E 2 . 1

BLOCK B3

REV B TEROCO SCHEDULES & DETAILS ISSUE 29-01-2016

A3



LOCATIONS B3

W-00-36 tv	1050	W(B3)17
W-00-37 tv	1050	W(B3)17
W-00-38 tv	1050	W(B3)17
W-00-39 tv	1050	W(B3)17

Total 4 No.

PROJECT SPECIFICATIONS

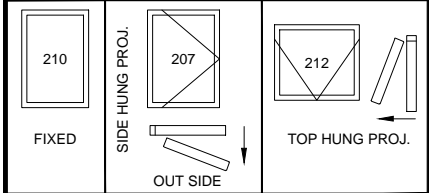
DESCRIPTION	TEROCO VELFAC V200 SYSTEM
GLASS TYPE	LOW E ARGON FILLED. (DG & TG - AS NOTED)
EXTERNAL RAL	RAL 7021 GLOSS 77%
INTERNAL	RAL 9001 CREME MATT
RESTRICTORS	QUICK RELEASE TO V200 OPENING SECTIONS
HANDLES	STANDARD
TRIMVENT	LOCATION AVAILABLE AS MARKED
SAFETY GLASS	* BS 6206 EN12600
GLAZING BEAD	LIGHT GREY GLAZING BEAD
GALSS SPACER	LIGHT GREY SPACER BAR
ORDER NO.	TBC

UNIT SPECIFICATION

GLASS SPEC	DOUBLE
G-VALUE	0.48
U-VALUE	1.43

APPROVED

NOTE: TEROCO DRAWINGS ARE VIEWED FORM THE OUTSIDE AND USE EUROPEAN NOTATION - WITH THE POINT OF THE CHEVRON, THAT INDICATES THE OPENING LIGHTS POINTING TO THE HANDLE



TEROCO
VELFAC
ORDER 8
BLOCK B3

B3
SCHEDULES
REV-B
ISSUED
29-01-2016

B	REVISED FROM ARCH COMMENTS FOR MANUFACTURE	29-04-15
A	REVISED FROM COMMENTS	22-01-15
REV	DESCRIPTION	DATE

TEROCO CONTRACT REF: QTE316
CLANCY QUAY PHASE 2.1

CONTRACTOR: Damastown Way, Damastown Business Park, Co. Dublin Ph: 01 822 70 08 info@gcon.ie

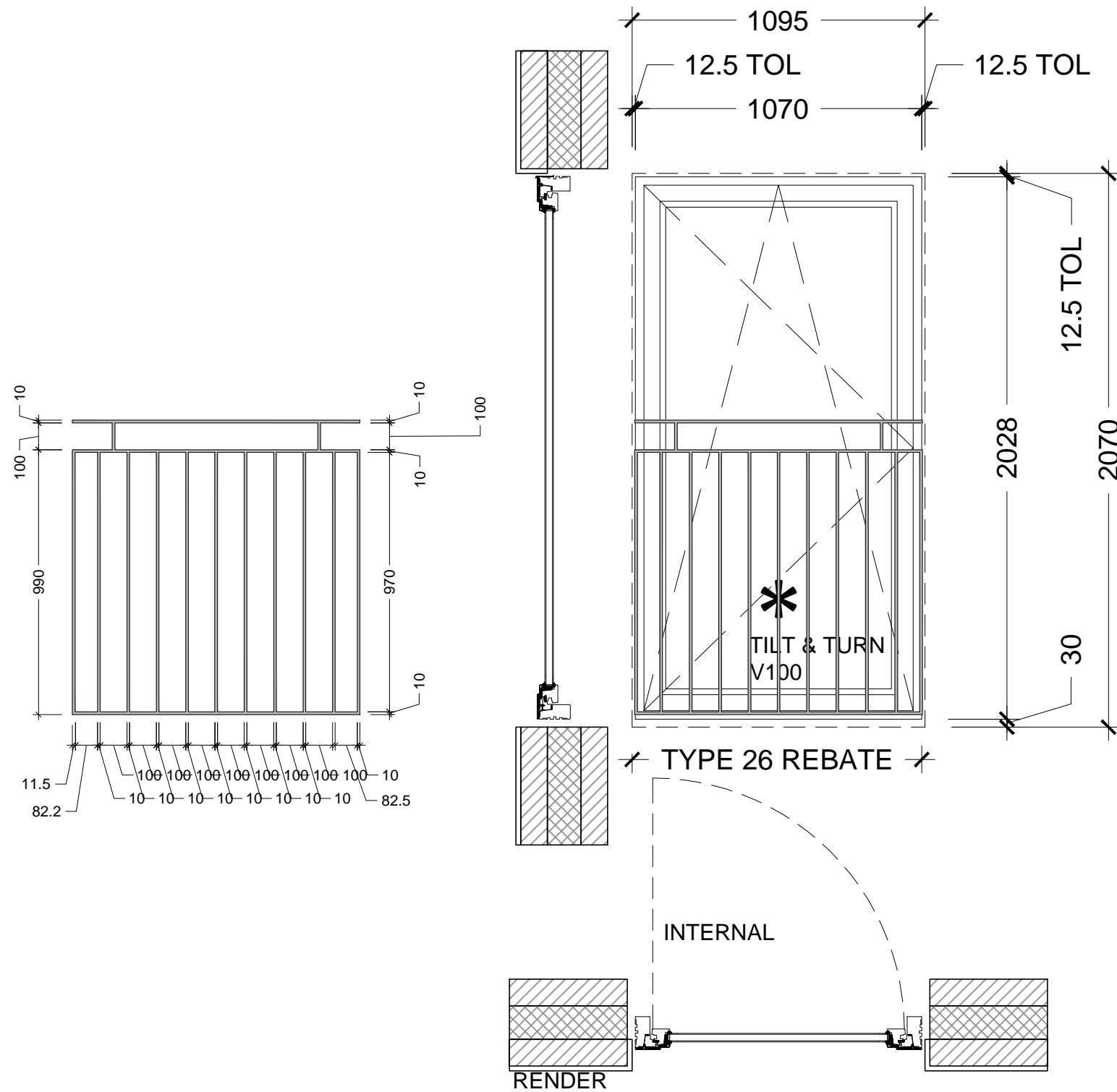
The Chapel, Mount St Annes, Milltown, Dublin 6, Ph: 01 202 7400 info@omparchitects.com

DRAWING TITLE: WINDOW SCHEDULES BLOCK B3

SHEET NO. S25	DRG NO. S-BLK-B9	REV. B
DRAWN FB	DATE JAN 2016	SCALE/PLOT 1:20
CHECKED BB		



TEROCO Windows & Doors Ltd.
Unit 1b, Riverview Business Park, Nangor Road, Dublin 12
T : 01 450 7886
W : www.teroco.ie

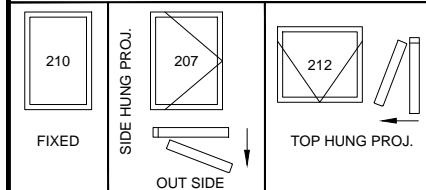


TBC

NOTE:
 EXTERNALLY MOUNTED RAL 7021
 PPC FINISH RAILING
 BALUSTRADES BY OTHERS

NOTE:
 1.5Kn LOAD BEARING

NOTE: TEROCO DRAWINGS ARE VIEWED FROM THE OUTSIDE AND USE EUROPEAN NOTATION - WITH THE POINT OF THE CHEVRON, THAT INDICATES THE OPENING LIGHTS POINTING TO THE HANDLE



TEROCO VELFAC
ORDER 1
 HOUSE TYPE 3A/B

MANUFACTURE SCHEDULES
ISSUED
 01-10-2015

REV	DESCRIPTION	DATE
B	REVISED FOR PRODUCTION FROM ARCH COMMENTS	01-10-15
A	REVISED FROM MEETING WITH ARCHITECT	29-09-15

TEROCO CONTRACT REF: **QTE316**
 CLANCY QUAY PHASE 2.1

CONTRACTOR: **GLENBEIGH CONSTRUCTION**
 Damastown Way, Damastown Business Park, Co. Dublin
 Ph: 01 822 70 08 info@gcon.ie

MAHONY PIKE
 The Chapel, Mount St Annes, Milltown, Dublin 6,
 Ph: 01 202 7400 info@omparchitects.com

DRAWING TITLE: WINDOW SCHEDULES

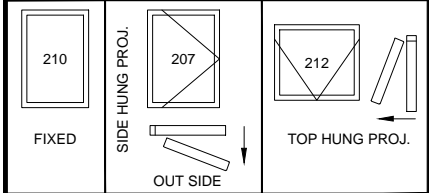
SHEET NO.	DRG NO.	REV.
S26	S-TH-3A/B	B

DRAWN	DATE	SCALE/PLOT	CHECKED
FB	26-09-15	1:20	BB



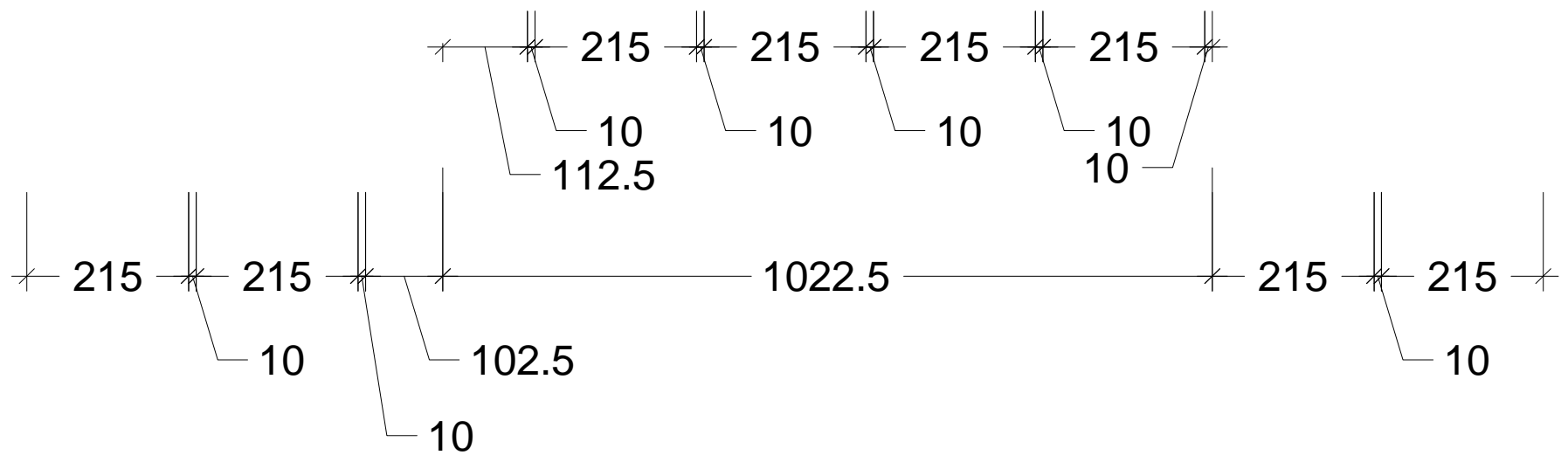
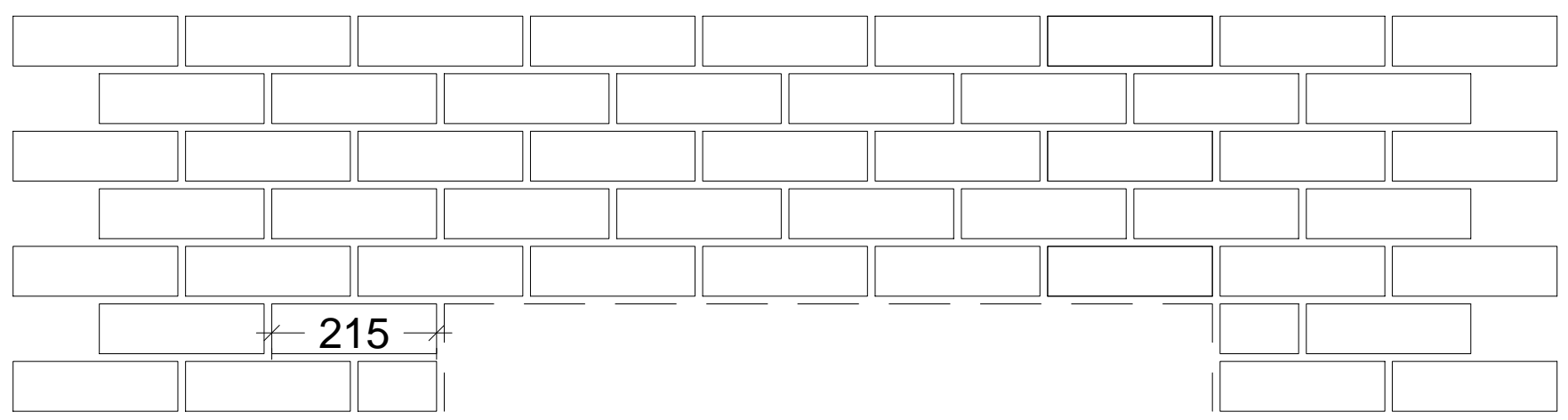
TEROCO Windows & Doors Ltd.
 Unit 1b, Riverview Business Park,
 Nangor Road, Dublin 12
 T : 01 450 7886
 W : www.teroco.ie

NOTE: TEROCO DRAWINGS ARE VIEWED FROM THE OUTSIDE AND USE EUROPEAN NOTATION - WITH THE POINT OF THE CHEVRON, THAT INDICATES THE OPENING LIGHTS POINTING TO THE HANDLE



TEROCO
VELFAC
ORDER 8
BLOCK B3

B3
SCHEDULES
REV-B
ISSUED
29-01-2016



REV	DESCRIPTION	DATE
B	REVISED FROM ARCH COMMENTS FOR MANUFACTURE	29-04-15
A	REVISED FROM COMMENTS	22-01-15

TEROCO CONTRACT REF: QTE316
CLANCY QUAY PHASE 2.1

CONTRACTOR: Damastown Way, Damastown Business Park, Co. Dublin Ph: 01 822 70 08 info@gcon.ie

MAHONY PIKE The Chapel, Mount St Annes, Milltown, Dublin 6, Ph: 01 202 7400 info@omparchitects.com

DRAWING TITLE: WINDOW SCHEDULES BLOCK B3

SHEET NO. S25	DRG NO. S-BLK-B9	REV. B
---------------	------------------	--------

DRAWN FB	DATE JAN 2016	SCALE/PLOT 1:20	CHECKED BB
----------	---------------	-----------------	------------



TEROCO Windows & Doors Ltd.
Unit 1b, Rivenview Business Park, Nangor Road, Dublin 12
T : 01 450 7886
W : www.teroco.ie