

TEROCO WINDOWS & DOORS

RP200 PROFILE

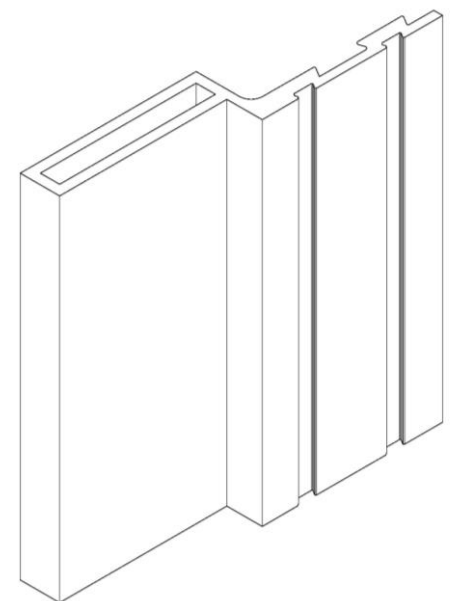
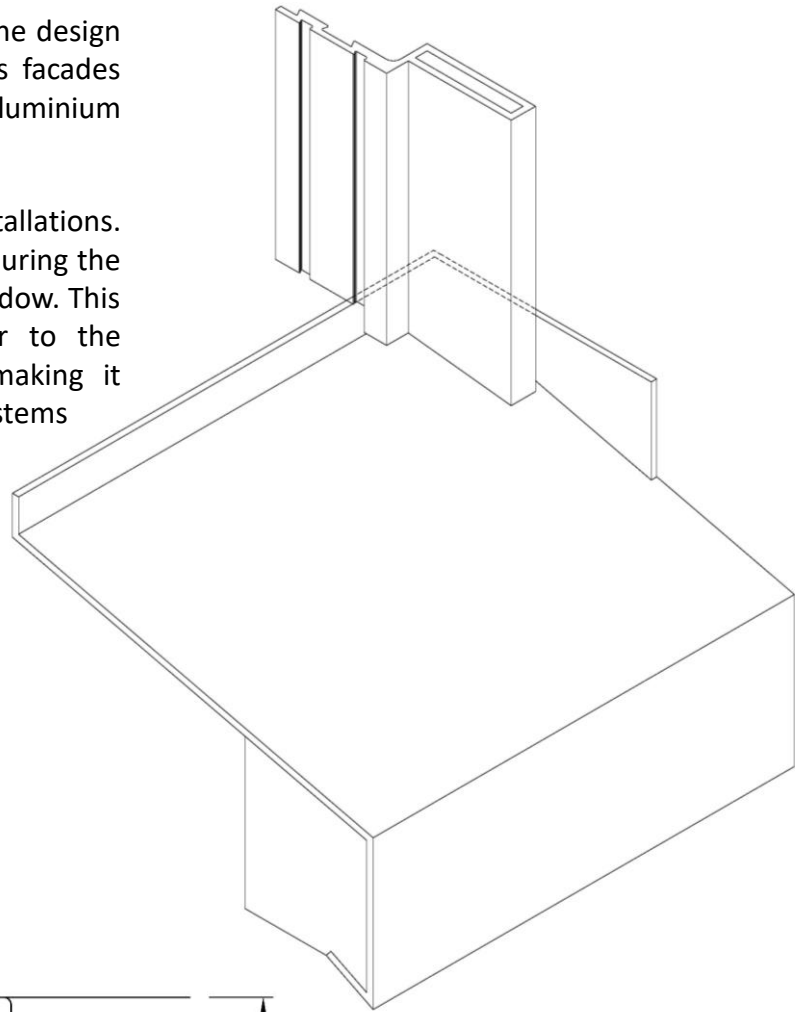
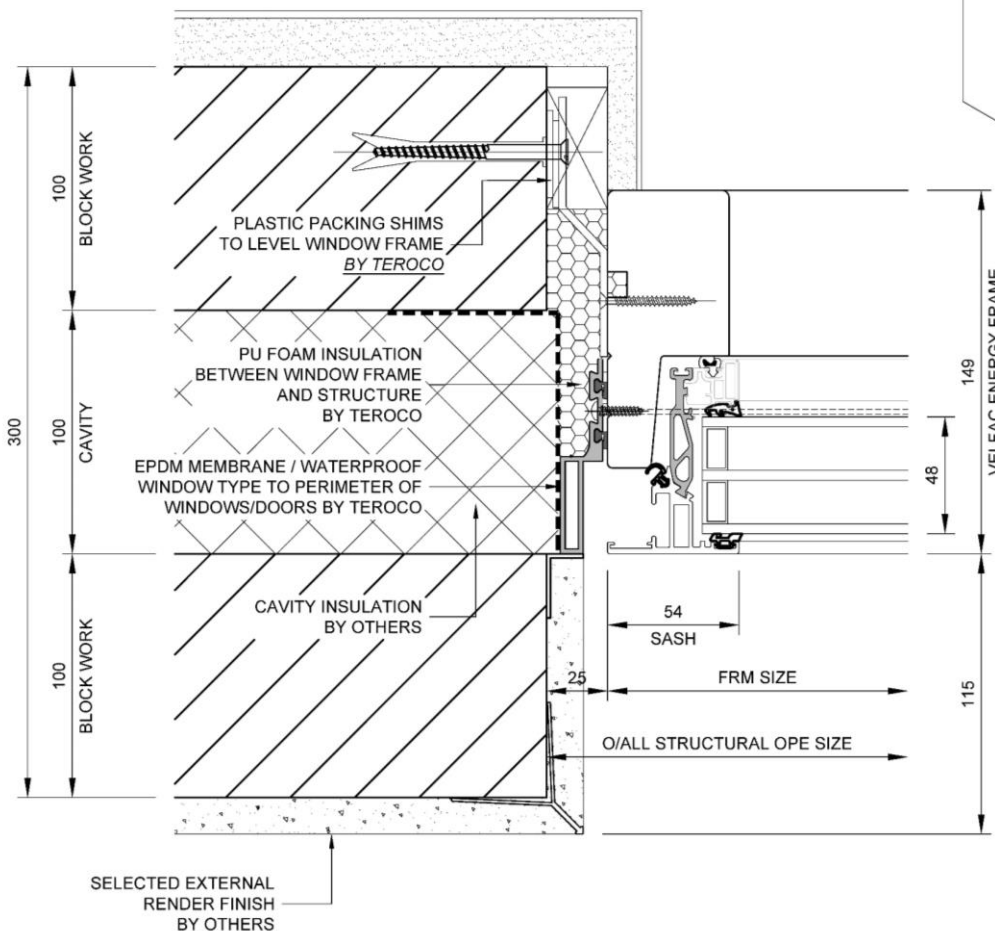


TEROCO Windows & Doors are leading the way in the design and integration of Alu-Wood Systems into buildings facades and as such we have developed our own extruded aluminium render/brick profile.

The TEROCO RP200 Profile is unique to TEROCO installations. It is fitted to frameless Alu-Wood Window Systems during the installation process and forms a surround for the window. This allows for the installation of the windows prior to the application of the external render/brick facade making it easier for the builder to integrate frameless systems into Irish construction details.

The profile is polyester powder coated extruded aluminium with integrated gasket seals. It is mitred and joined with aluminium cleats at corners (with integrated aluminium cill if required) forming a watertight seal to all four sides of the window.

DESIGN WITH CONFIDENCE, DESIGN WITH TEROCO



TEROCO WINDOWS & DOORS

RP200 PROFILE

